

8 7 6 5 4 3 2 1

F F

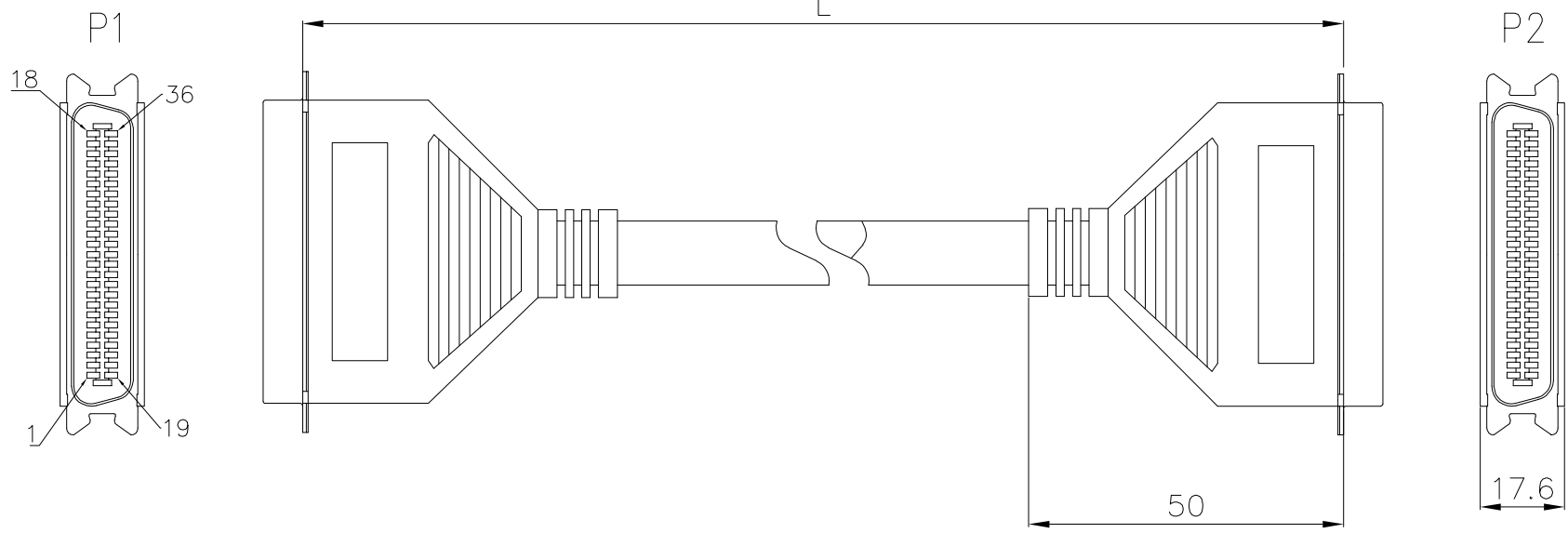
E E

D D

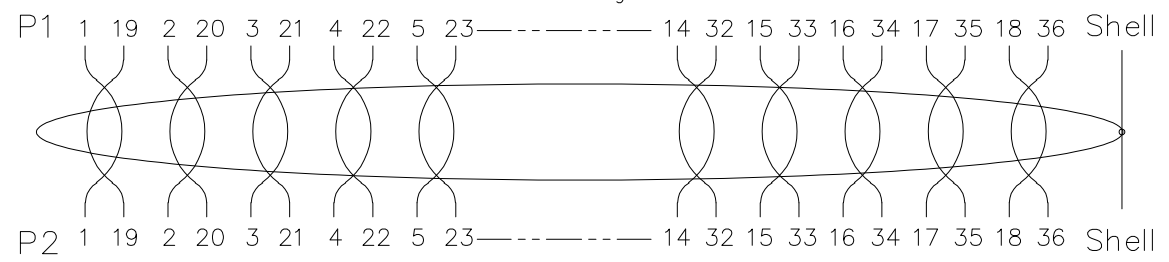
C C

B B

A A



Pin assignment



- Notes:
- 1.Electrical test:100% open,short&miss wire test.
 - 2.Conductor resistance:5 ohms max.
 - 3.Insulator resistance: 1M ohms min, DC 300V 0.01sec.
 - 4.ROHS compliant
 - 5.Part number description:A17-03611XXX-05, XXX: 001=length:10cm

| | | | |
|------|-------------|---|------|
| 6 | Cable | UL20276 18.5P*28AWG+Foamed PP Tape+ABD, PVC jacket,color:black,OD 8.0mm | 1pcs |
| 5 | Copper foil | Copper foil W=25mm | NA |
| 4 | Overmold | 45P PVC color:black | NA |
| 3 | Mold | PE | NA |
| 2 | Connector | Centronics(57) 36pin male solder, housing color:blue,traditional makou type | 1pcs |
| 1 | Connector | Centronics(57) 36pin male solder, housing color:blue,traditional makou type | 1pcs |
| Item | Part name | Description | Qty |

| | | | |
|------|------------|-----------------------|-----------|
| | | | |
| △ | 2021/10/29 | First edition release | Jack Chen |
| SIDE | DATE | DESCRIPTION | APPROVER |
| 8 | 7 | 6 | 5 |

| | | | |
|-----------------|-------|------------|---------------|
| QUALITY SYMBOLS | | Tolerance | |
| □: | ☒: | Length(mm) | Tolerance(mm) |
| CRITICAL | MAJOR | 300-2000 | ±50 |
| ▽: | ▽: | 2001-5000 | ±100 |
| ZERO DEFECT | S.P.C | 5001~ | ±150 |

| | | | | | | | |
|--------|---|-------|------------|---|-----------------|--------|-------------|
| NAME: | Centronics(57) 36pin male to male cable,molded type | | | PART NO. | A17-03611XXX-05 | | |
| REV: | A | UNIT: | mm | DRW BY | CHK BY | APP BY | DRAWING NO. |
| SCALE: | NONE | DATE: | 2021/10/29 | Yugong | Carl Hu | | A17-005 |
| | | | | 东莞市林诚塑胶电子有限公司 http://www.lineconn.com TEL:0769-85181660 85181770 | | | |
| 3 | 2 | 1 | | | | | |