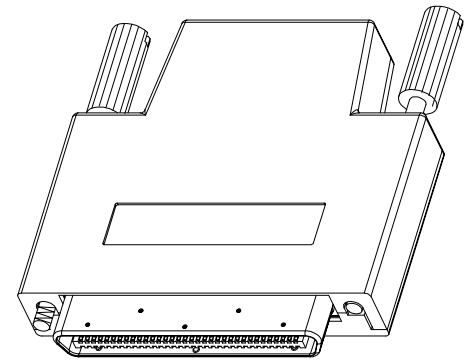
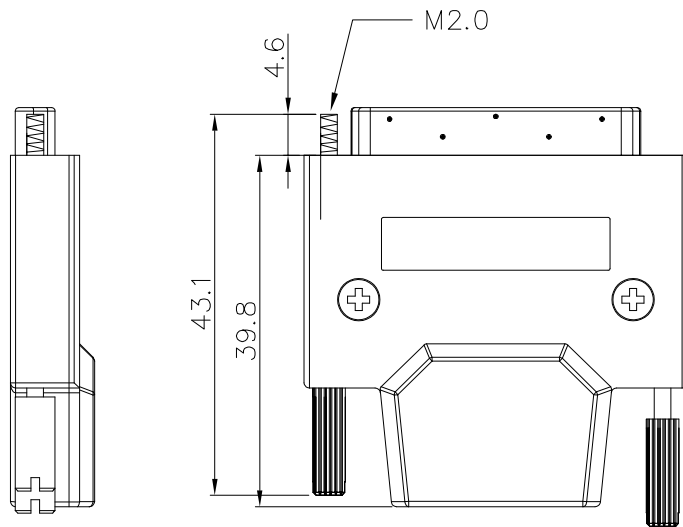
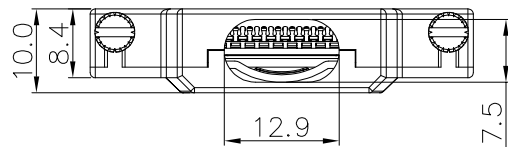
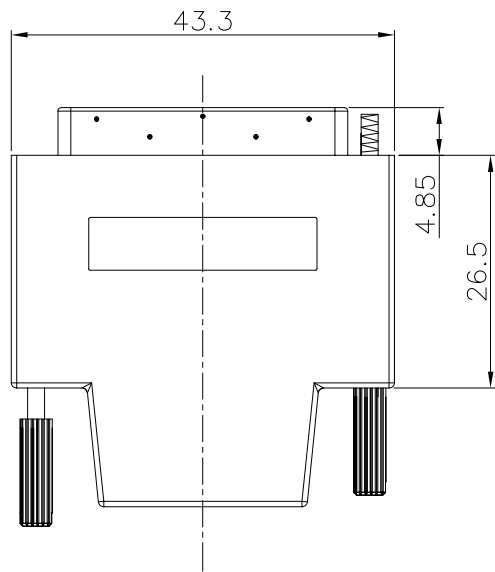
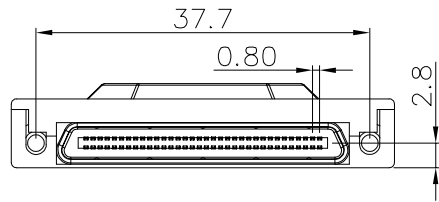


Voltage current rating: 0.5A
 Dielectric withstanding voltage: 500V
 Insulation resistance: 500MΩ Min.
 Temperature range: -45°C to +125°C

4	Shell	SPCC	Plated: Ni
3	Housing	LCP, UL 94-V0	Color: black
2	Cover	LCP, UL 94-V0	Color: black
1	Terminal	Copper alloy	Contact area: G/F Solder area: Sn Under-plating: Ni
Item	Desc.	Material	Remarks

△				QUALITY SYMBOLS	Tolerance	NAME:	VHDCI pitch 0.8mm 68pin male solder			PART NO.	B06-068311A0-03		
△				□: ☒:	.x ±0.60	REV:	A	UNIT:	mm	DRW BY	CHK BY	APP BY	DRAWING NO.
△	2025/01/10	First edition release	Carl Hu	CRITICAL MAJOR	.x ±0.40	SCALE:	N:1	DATE:	2025/01/10	Huangmei	Carl Hu		B06-034
SIDE	DATE	DESCRIPTION	APPROVER	▽: ▽:	.xx ±0.25	lineconn 东莞市林诚塑胶电子有限公司			http://www.lineconn.com TEL: 0769-85181660 85181770				
8	7	6	5	ZERO DEFECT S.P.C		4	3	2	1				

lineconn 东莞市林诚塑胶电子有限公司 <http://www.lineconn.com>
 TEL: 0769-85181660 85181770



Current rating: 0.5A
 Withstanding voltage: 500V
 Insulation resistance: 500MΩ Min.
 Temperature range: -45°C to +125°C
 Note: this part no. without connector

3	Nut	Steel	Plated: Ni
2	Screw	Steel	Plated: Ni
1	Hood	Zinc alloy	Plated: Ni
Item	Desc.	Material	Remark

▲	2025/01/10	First edition release	Carl Hu
SIDE	DATE	DESCRIPTION	APPROVER
8	7	6	5

QUALITY SYMBOLS		Tolerance	
□ :	☒ :	.x	±0.80
CRITICAL	MAJOR	.x	±0.50
▽ :	▽ :	.xx	±0.25
ZERO DEFECT	S.P.C		

NAME:	VHDCI pitch 0.8mm 68pin male zinc alloy hood for solder connector				PART NO.	B06-0683N1NA-03		
REV:	A	UNIT:	mm	DRW BY	CHK BY	APP BY	DRAWING NO.	
SCALE:	N:1	DATE:	2025/01/10	Huangmei	Carl Hu		B06-035	
				东莞市林诚塑胶电子有限公司		http://www.lineconn.com TEL: 0769-85181660 85181770		
3	2	1	8	7	6	5	4	1