

Voltage current rating: 10~40A
 Dielectric withstanding voltage: 1000V AC
 Insulation resistance: 5000Megohms min.
 Temperature range: -55°C to +125°C
 Durability: 500 cycles
 ROHS compliant

Part number:
 B09-2V2511XD-X1

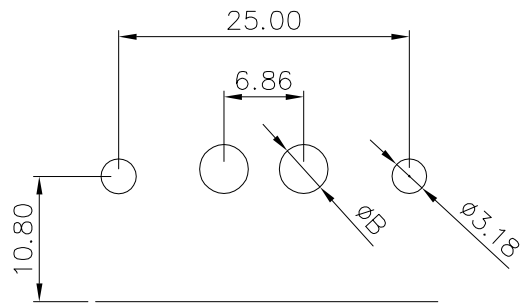
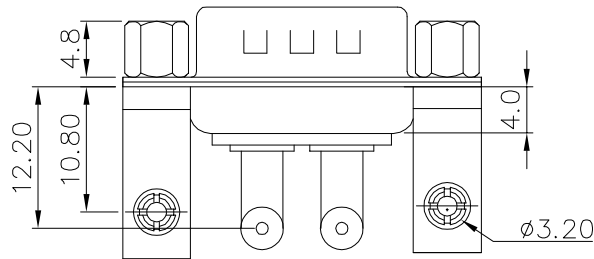
Terminal plating:

4: Full Au 2u"

5: Full Au 1u"

Current Rating:

- A: 10 AMPS Dim.A ϕ 1.7 Dim.B ϕ 2.2
- B: 20 AMPS Dim.A ϕ 2.8 Dim.B ϕ 3.3
- C: 30 AMPS Dim.A ϕ 3.2 Dim.B ϕ 3.7
- D: 40 AMPS Dim.A ϕ 3.7 Dim.B ϕ 4.2



PCB layout

6	Screw	Steel	Plating: Ni
5	Foothold	SPCC	Plating: Ni
4	Rear shell	SPCC	Plating: Sn
3	Front shell	SPCC	Plating: Ni
2	Housing	PBT UL94V-0	Color: black
1	Terminal	Copper alloy	Plating: see part no.
Item	Desc.	Material	Remark

△	2021/11/23	Add terminal plating type	Jack Chen
△	2021/06/14	Change part number	Jack Chen
△	2019/09/04	First edition release	Jack Chen
SIDE	DATE	DESCRIPTION	APPROVER

QUALITY SYMBOLS		Tolerance	
□:	☒:	x.	±0.60
CRITICAL	MAJOR	.x	±0.40
▽:	▽:	.xx	±0.25
ZERO DEFECT	S.P.C		

NAME:	2V2 male right angle, riveted insert, lock screw			PART NO.	B09-2V2511XD-X1		
REV:	C	UNIT:	mm	DRW BY	CHK BY	APP BY	DRAWING NO.
SCALE:	N:1	DATE:	2019/09/04	Huangmei	Jack Chen		B09-005

lineconn 东莞市林诚塑胶电子有限公司 <http://www.lineconn.com>
 TEL: 0769-85181660 85181770

8

7

6

5

4

3

2

1

8

7

6

5

4

3

2

1