

No. of Contact	A	B	C	D
15	16.33	24.99	30.81	19.3
26	24.66	33.32	39.14	27.5
44	38.38	47.04	53.04	41.3
62	54.84	63.50	69.32	57.7

Voltage current rating: 5 AMP.  
 Withstanding voltage: 1000V AC  
 Insulation resistance: 5000MΩ Min.  
 Temperature range: -55°C to +105°C  
 Durability: 500 cycles  
 ROHS compliant  
 Part number:

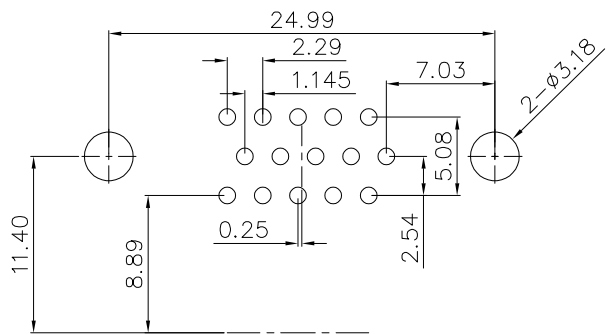
B04-0XX6X1XD-02  
 No. of contact: \_\_\_\_\_  
 15: 15pin  
 26: 26pin  
 44: 44pin  
 62: 62pin  
 Housing color: \_\_\_\_\_  
 1: Black  
 5: White  
 6: Blue  
 Terminal plating: \_\_\_\_\_  
 4: Full Au 2u"  
 5: Full Au 1u"

Item	Desc.	Material	Remark
7	Nut	Steel	Plating: Ni
6	Board lock	Copper alloy	Plating: Ni
5	Housing	PBT+30%GF	Color: see part no.
4	Rivet	Copper alloy	Plating: Sn
3	Rear shell	SPCC	Plating: Sn
2	Front shell	SPCC	Plating: Ni
1	Terminal	Copper alloy	Plating: see part no.

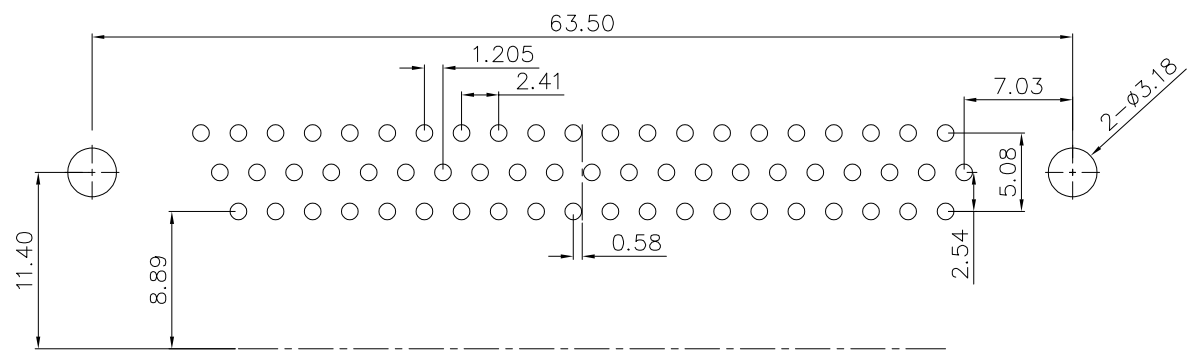
A	△	2026/05/27	Add separate PCB layout drawings	Carl Hu
	△	2024/03/26	Correction of dimensioning position	Jack Chen
	△	2011/06/14	First edition release	Jing Li
	SIDE	DATE	DESCRIPTION	APPROVER
	8	7	6	5

QUALITY SYMBOLS		Tolerance	
□ :	☒ :	.x	±0.60
CRITICAL	MAJOR	.x	±0.40
▽ :	▽ :	.xx	±0.25
ZERO DEFECT	S.P.C		

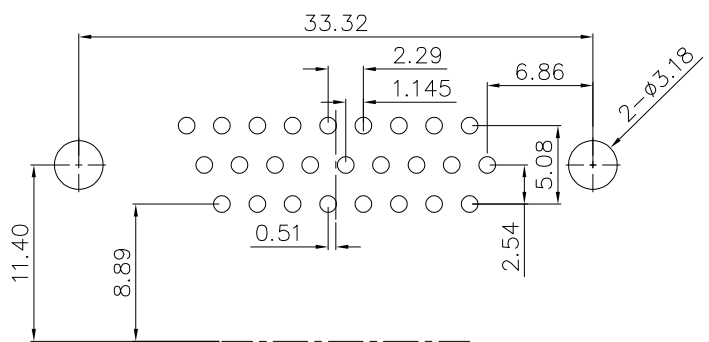
NAME:	HD-D-SUB machined pin female right angle, 8.89mm, riveted board lock, nut 4.8mm				PART NO.	B04-0XX6X1XD-02			
REV:	D	UNIT:	mm	DRW BY	CHK BY	APP BY	DRAWING NO.		
SCALE:	N:1	DATE:	2011/06/14	Huangmei	Carl Hu		B04-011 1/2		
				东莞市林诚塑胶电子有限公司			<a href="http://www.lineconn.com">http://www.lineconn.com</a> TEL: 0769-85181660 85181770		
	8	7	6	5	4	3	2	1	



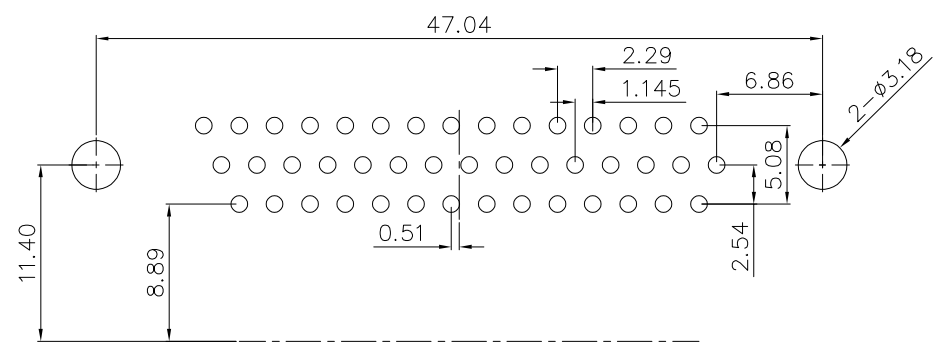
HD.D-SUB 15pin female right angle



HD.D-SUB 62pin female right angle



HD.D-SUB 26pin female right angle



HD.D-SUB 44pin female right angle

△	2026/05/27	First edition release	Carl Hu
SIDE	DATE	DESCRIPTION	APPROVER
8	7	6	5

QUALITY SYMBOLS		Tolerance	
□ :	☒ :	.x	±0.60
CRITICAL	MAJOR	.x	±0.40
▽ :	▽ :	.xx	±0.25
ZERO DEFECT	S.P.C		

NAME:	HD.D-SUB machined pin female right angle, 8.89mm, PCB layout			PART NO.	B04-0XX6X1XD-02		
REV:	A	UNIT:	mm	DRW BY	CHK BY	APP BY	DRAWING NO.
SCALE:	N:1	DATE:	2026/05/27	Huangmei	Carl Hu		B04-011 2/2
东莞市林诚塑胶电子有限公司				<a href="http://www.lineconn.com">http://www.lineconn.com</a> TEL:0769-85181660 85181770			
3	2	1					