

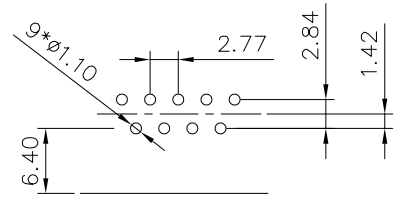
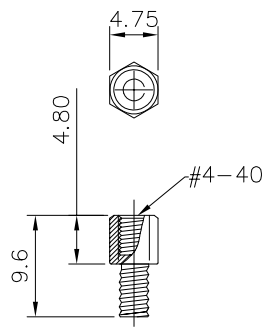
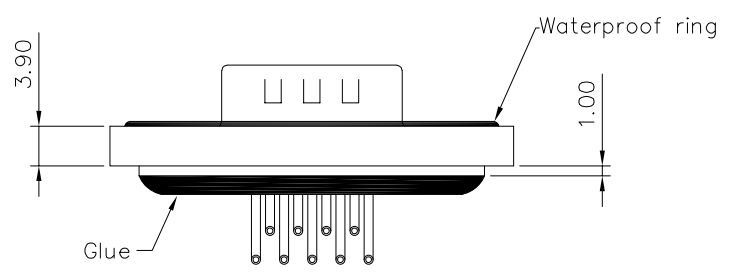
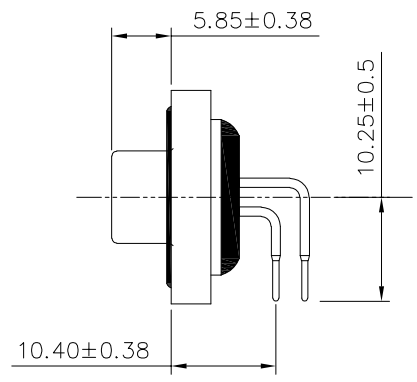
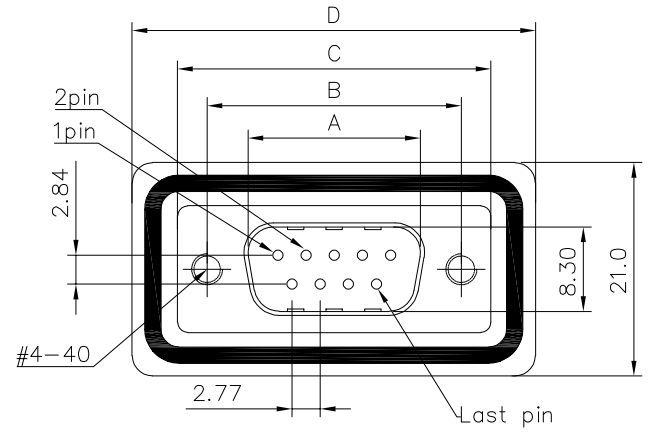
No. of Contact	A±0.25	B±0.13	C±0.38	D±0.50
09	16.90	25.00	30.80	39.60
15	25.25	33.30	39.20	48.00
25	39.00	47.04	53.04	61.60
37	55.42	63.50	69.40	78.00

Current rating: 5A
Voltage rating: 300V
Contact resistance: 25mΩ Max
Dielectric withstanding voltage: 1000V AC
Insulation resistance: 1000MΩ Min.
Temperature range: -55°C to +125°C
Waterproof rating: IP67
ROHS compliant
Part number:

BA5-0XX511XD-03

No. of contact: _____
09: 9pin
15: 15pin
25: 25pin
37: 37pin
Terminal plating: _____
4: Full Au 2u"
5: Full Au 1u"

6	Glue	Glue	Color: black
5	Waterproof ring	Rubber	Color: blue
4	Screw	Steel	Plating: Ni
3	Housing	PBT+30%GF	Color: black
2	Shell	Steel	Plating: Ni
1	Terminal	Copper alloy	Plating: see part No.
Item	Desc.	Material	Remark



PCB layout

△				
△				
△	2025/10/09	First edition release	Carl Hu	
SIDE	DATE	DESCRIPTION	APPROVER	
8	7	6	5	4

QUALITY SYMBOLS		Tolerance	
□:	☒:	.x	±0.60
CRITICAL	MAJOR	.x	±0.40
▽:	▽:	.xx	±0.25
ZERO DEFECT	S.P.C		

NAME:	Waterproof D-SUB machined pin male right angle 10.4mm			PART NO.	BA5-0XX511XD-03		
REV:	A	UNIT:	mm	DRW BY	CHK BY	APP BY	DRAWING NO.
SCALE:	N:1	DATE:	2025/10/09	Huangmei	Carl Hu		BA5-043
东莞市林诚塑胶电子有限公司				http://www.lineconn.com TEL: 0769-85181660 85181770			
8	7	6	5	4	3	2	1