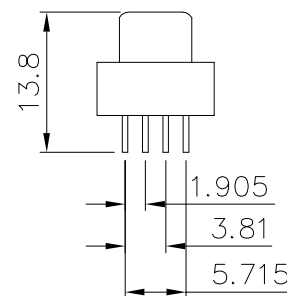
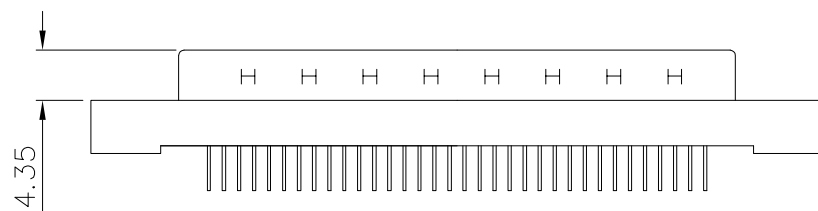


PCB layout

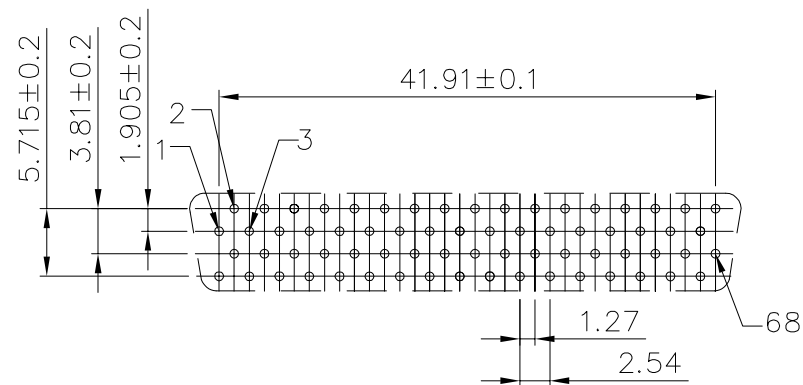
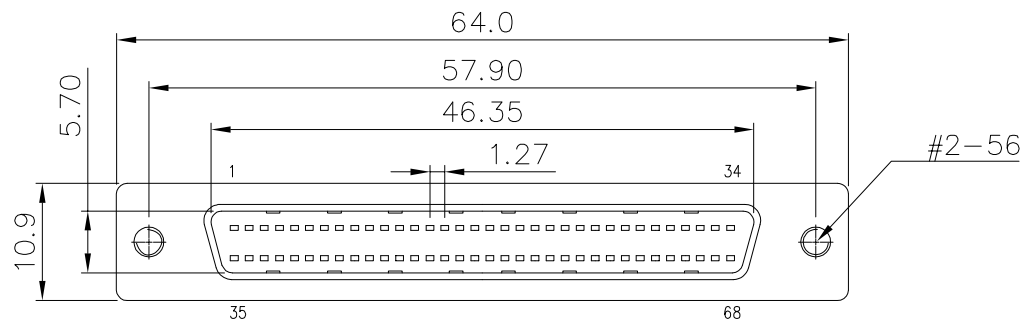


Current rating: 1A
 Withstanding voltage: 500V AC
 Insulation resistance: 500MΩ Min.
 Contact resistance: 35mΩ max.
 Temperature range: -55°C to +125°C
 ROHS compliant

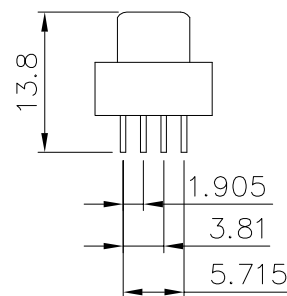
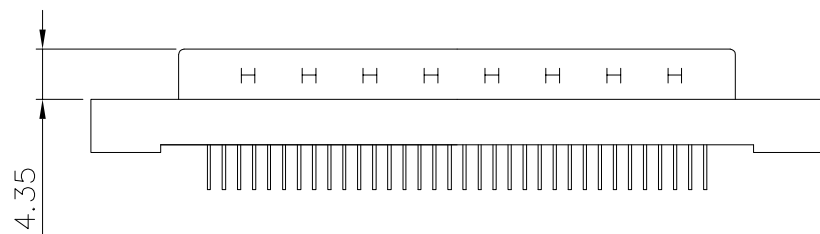
4	Housing	PBT+G.F.30% (UL 94V-0)	Color:black
3	Bracket	Zinc alloy	Plating:Ni
2	Shell	SPCC	Plating:Ni
1	Terminal	Phosphor bronze	Contact area: Au 5u" Solder area: Sn Under-plating: Ni
Item	Desc.	Material	Remark

				QUALITY SYMBOLS
△	2021/05/24	Change part number,Change tolerance	Dean Fan	□: ☒:
△	2016/07/19	First edition release	King Zhou	CRITICAL MAJOR
SIDE	DATE	DESCRIPTION	APPROVER	▽: ▽: ZERO DEFECT S.P.C
8	7	6	5	4

Tolerance		NAME:		SCSI II(HPDB) 68pin male vertical with bracket for PCB		PART NO.		B02-068711EN-1S	
x.	±0.60	REV:	B	UNIT:	mm	DRW BY	CHK BY	APP BY	DRAWING NO.
.x	±0.40	SCALE:	N:1	DATE:	2016/07/19	Jack Chen	Dean Fan		B02-057
.xx	±0.25	Lineconn 东莞市林诚塑胶电子有限公司		http://www.lineconn.com		TEL:0769-85181660 85181770			
		8	7	6	5	4	3	2	1



PCB layout



Current rating: 1A
 Withstanding voltage: 500V AC
 Insulation resistance: 500MΩ Min.
 Contact resistance: 35mΩ max.
 Temperature range: -55°C to +125°C
 ROHS compliant

4	Housing	PBT+G.F.30% (UL 94V-0)	Color:black
3	Bracket	Zinc alloy	Plating:Ni
2	Shell	SPCC	Plating:Ni
1	Terminal	Phosphor bronze	Contact area: Au 5u" Solder area: Sn Under-plating: Ni
Item	Desc.	Material	Remark

△				QUALITY SYMBOLS
△	2022/06/23	First edition release	Carl Hu	□: ☒: CRITICAL MAJOR ▽: ▽: ZERO DEFECT S.P.C
SIDE	DATE	DESCRIPTION	APPROVER	
8	7	6	5	4

Tolerance		NAME:	SCSI II(HPDB) 68pin male vertical with bracket for PCB		PART NO.	B02-068711EN-2S	
x.	±0.60	REV:	A	UNIT:	mm	DRW BY	CHK BY
.x	±0.40	SCALE:	N:1	DATE:	2022/06/23	Huangmei	Carl Hu
.xx	±0.25						APP BY
							DRAWING NO.
							B02-091

东莞市林诚塑胶电子有限公司

<http://www.lineconn.com>
 TEL:0769-85181660 85181770