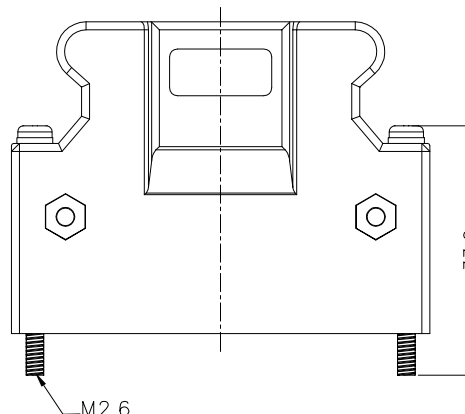
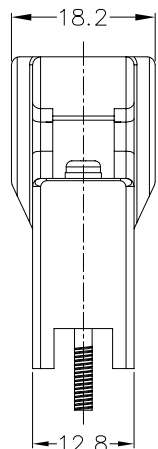
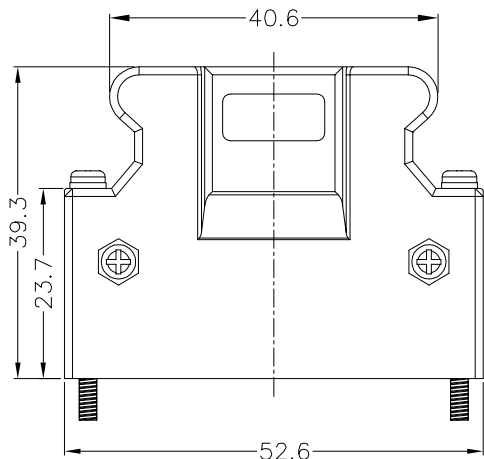


Contact current rating: 1 Amp
 Dielectric withstanding voltage: 500V AC
 Insulation resistance: 500MΩ Min.
 Contact resistance: 35mΩ Max
 Temperature range: -45°C to +105°C
 ROHS compliant

Part No.: B01-050311X4-01

Solder area: _____
 3: G/F
 C: Sn



Item	Desc.	Material	Remarks
10	Screw	Steel	Plating: Ni, M2.0
9	Screw	Steel	Plating: Ni
8	Nut	Steel	Plating: Ni
7	Hood	PBT+30%GF	Color: black
6	Screw	Steel	Plating: Ni, L=33.0mm
5	Clamp	Steel	Plating: Ni
4	Cover	PBT+30%GF	Color: black
3	Housing	PBT+30%GF	Color: black
2	Shell	SPCC	Plating: Ni
1	Terminal	Copper alloy	Contact area: Au 3u" Solder area: see part no. Under-plating: Ni

DATE	DESCRIPTION	APPROVER
2026/04/24	Modify the drawing based on the actual product	Shuo Cao
2023/11/09	Add ROHS comment	Shuo Cao
2021/04/24	First edition release	Shuo Cao

QUALITY SYMBOLS
 □: ☒:
 CRITICAL MAJOR
 ∇: ∇:
 ZERO DEFECT S.P.C

Tolerance	
x.	±0.60
.x	±0.40
.xx	±0.25

NAME:	SM(SCSI) 50pin male solder assembly plastic hood with screw 33.0mm	PART NO.	B01-050311X4-01				
REV:	C	UNIT:	mm	DRW BY	CHK BY	APP BY	DRAWING NO.
SCALE:	N:1	DATE:	2021/04/24	Huangmei	Shuo Cao		B01-046

lineconn 东莞市林诚塑胶电子有限公司 <http://www.lineconn.com>
 TEL:0769-85181660 85181770