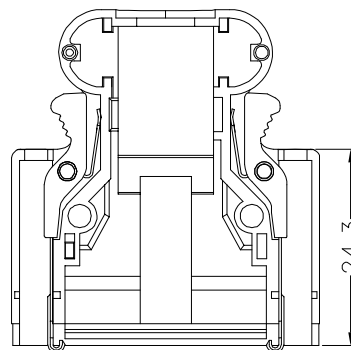
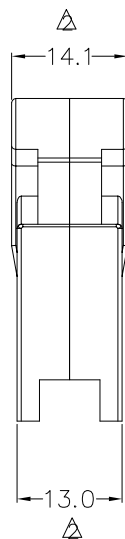
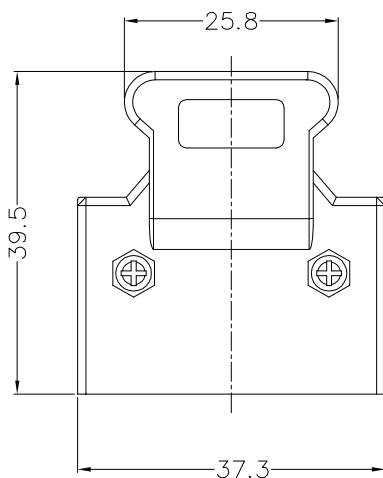


Contact current rating: 1 Amp
 Dielectric withstanding voltage: 500V AC
 Insulation resistance: 500MΩ Min.
 Contact resistance: 35mΩ Max
 Temperature range: -45°C to +105°C
 ROHS compliant
 Part No.:

B01-026311X2-01

Solder area:
 3: G/F
 C: Sn



Item	Desc.	Material	Remarks
10	Screw	Steel	Plating: Ni, M2.0
9	Screw	Steel	Plating: Ni
8	Nut	Steel	Plating: Ni
7	Hood	PBT+30%GF	Color: black
6	Latch	ABS, SUS 304	Color: black
5	Clamp	Steel	Plating: Ni
4	Cover	PBT+30%GF	Color: black
3	Housing	PBT+30%GF	Color: black
2	Shell	SPCC	Plating: Ni
1	Terminal	Copper alloy	Contact area: Au 3u" Solder area: see part no. Under-plating: Ni

△	2026/04/24	Modify the drawing based on the actual product	Shuo Cao
△	2026/01/26	Correct the incorrect pin position markings	Shuo Cao
△	2009/06/14	First edition release	King Zhou

QUALITY SYMBOLS	
□:	☒:
CRITICAL	MAJOR
▽:	▽:
ZERO DEFECT	S.P.C

Tolerance	
.x	±0.60
.x	±0.40
.xx	±0.25

NAME:	SM(SCSI) 26pin male solder assembly plastic hood with latch			PART NO.	B01-026311X2-01		
REV:	D	UNIT:	mm	DRW BY	CHK BY	APP BY	DRAWING NO.
SCALE:	N:1	DATE:	2009/06/14	Huangmei	Shuo Cao		B01-015

lineconn 东莞市林诚塑胶电子有限公司 <http://www.lineconn.com>
 TEL: 0769-85181660 85181770