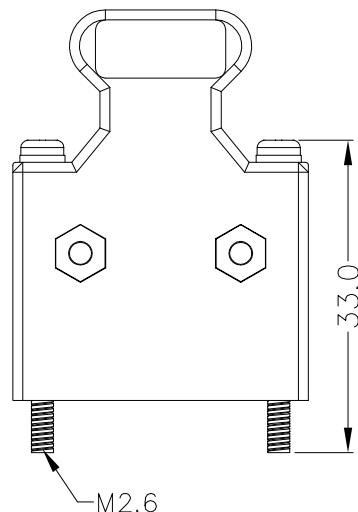
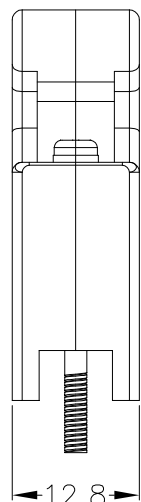
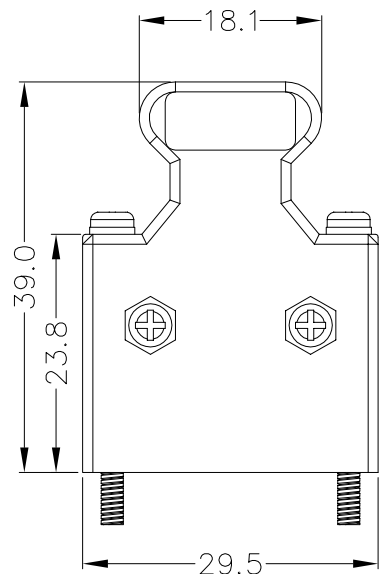


Contact current rating: 1 Amp
 Dielectric withstanding voltage: 500V AC
 Insulation resistance: 500MΩ Min.
 Contact resistance: 35mΩ Max
 Temperature range: -45°C to +105°C
 ROHS compliant
 Part No.:

B01-014311X4-01

Solder area:
 3: G/F
 C: Sn



10	Screw	Steel	Plating: Ni, M2.0
9	Screw	Steel	Plating: Ni
8	Nut	Steel	Plating: Ni
7	Hood	ABS+PC	Color: black
6	Screw	Steel	Plating: Ni, L=33.0mm
5	Clamp	Steel	Plating: Ni
4	Cover	PBT+30%GF	Color: black
3	Housing	PBT+30%GF	Color: black
2	Shell	SPCC	Plating: Ni
1	Terminal	Copper alloy	Contact area: Au 3u" Solder area: see part no. Under-plating: Ni
Item	Desc.	Material	Remarks

△	2026/04/24	Modify the drawing based on the actual product	Shuo Cao
△	2022/07/11	Added the size of the cable clamp	Shuo Cao
△	2009/06/04	First edition release	King Zhou

QUALITY SYMBOLS
 □: □: CRITICAL MAJOR
 ▽: ▽: ZERO DEFECT S.P.C

Tolerance	
.x	±0.60
.x	±0.40
.xx	±0.25

NAME:	SM(SCSI) 14pin male solder assembly plastic hood with screw 33.0mm				PART NO.	B01-014311X4-01		
REV:	E	UNIT:	mm	DRW BY	CHK BY	APP BY	DRAWING NO.	
SCALE:	N:1	DATE:	2009/06/04	Huangmei	Shuo Cao		B01-001	

lineconn 东莞市林诚塑胶电子有限公司 <http://www.lineconn.com>
 TEL:0769-85181660 85181770