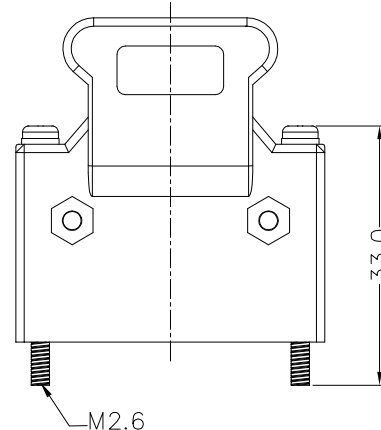
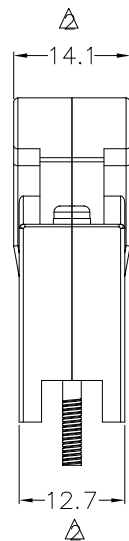
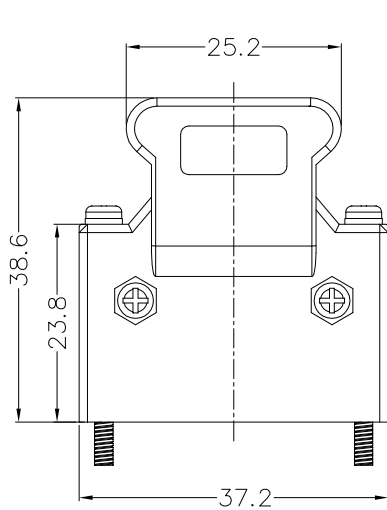


Contact current rating: 1 Amp
 Dielectric withstanding voltage: 500V AC
 Insulation resistance: 500MΩ Min.
 Contact resistance: 35mΩ Max
 Temperature range: -45°C to +105°C
 ROHS compliant
 Part No.:

B01-026311X4-01

Solder area:
 3: G/F
 C: Sn



Item	Desc.	Material	Remarks
10	Screw	Steel	Plating: Ni, M2.0
9	Screw	Steel	Plating: Ni
8	Nut	Steel	Plating: Ni
7	Hood	ABS+PC	Color: black
6	Screw	Steel	Plating: Ni, L=33.0mm
5	Clamp	Steel	Plating: Ni
4	Cover	PBT+30%GF	Color: black
3	Housing	PBT+30%GF	Color: black
2	Shell	SPCC	Plating: Ni
1	Terminal	Copper alloy	Contact area: Au 3u" Solder area: see part no. Under-plating: Ni

△	2026/04/24	Modify the drawing based on the actual product	Shuo Cao
△	2026/01/26	Correct the incorrect pin position markings	Shuo Cao
△	2009/06/11	First edition release	King Zhou
SIDE	DATE	DESCRIPTION	APPROVER
8	7	6	5

QUALITY SYMBOLS		Tolerance	
□ :	☒ :	.x	±0.60
CRITICAL	MAJOR	.x	±0.40
▽ :	▽ :	.xx	±0.25
ZERO DEFECT	S.P.C		

NAME:				PART NO.			
SM(SCSI) 26pin male solder assembly plastic hood with screw 33.0mm				B01-026311X4-01			
REV:	E	UNIT:	mm	DRW BY	CHK BY	APP BY	DRAWING NO.
SCALE:	N:1	DATE:	2009/06/11	Huangmei	Shuo Cao		B01-013
东莞市林诚塑胶电子有限公司				http://www.lineconn.com TEL:0769-85181660 85181770			
3	2	1					