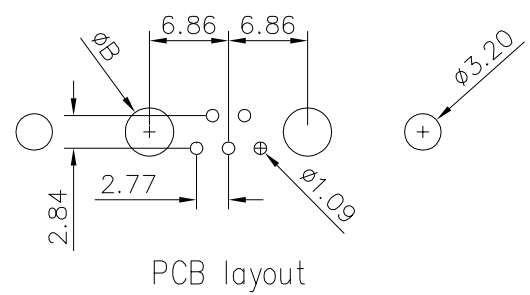
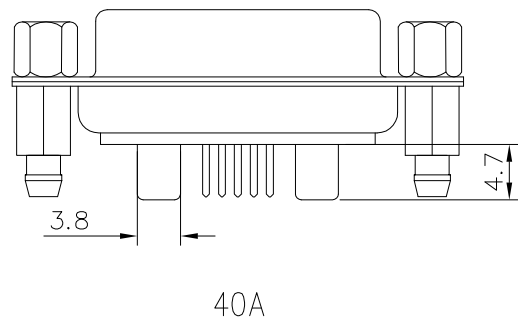
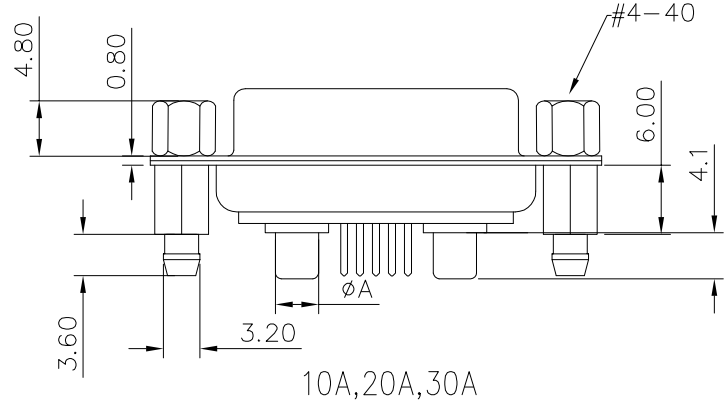


High power terminal:
Voltage current rating: 10~40A
Contact resistance: 2.7mΩ max.

Signal terminal:
Voltage current rating: 5A
Contact resistance: 10mΩ max.

Withstanding voltage: 1000V AC
Insulation resistance: 5000MΩ Min.
Temperature range: -55°C to +125°C
ROHS compliant

Part number:
B08-7W2811XD-X2
Terminal plated:
4: Au 2u"
5: Au 1u"
Current rating:
A: 10A, Dim.A ϕ 1.7, Dim.B ϕ 2.20
B: 20A, Dim.A ϕ 2.8, Dim.B ϕ 3.30
C: 30A, Dim.A ϕ 3.2, Dim.B ϕ 3.70
D: 40A, Dim.A ϕ 3.8, Dim.B ϕ 4.30



6	Nut	Steel	Plating: Ni
5	Housing	PBT+30%GF	Color: black
4	Riveted insert	Brass	Plating: Ni
3	Rear shell	SPCC	Plating: Sn
2	Front shell	SPCC	Plating: Ni
1	Terminal	Brass	Terminal finish: see part number
Item	Desc.	Material	Remark

△	2025/08/07	First edition release	Carl Hu
SIDE	DATE	DESCRIPTION	APPROVER
8	7	6	5

QUALITY SYMBOLS		Tolerance		NAME: 7W2 female vertical for PCB			PART NO. B08-7W2811XD-X2				
□:	☒:	x.	±0.60	REV:	A	UNIT:	mm	DRW BY	CHK BY	APP BY	DRAWING NO.
CRITICAL	MAJOR	.x	±0.40	SCALE:	N:1	DATE:	2025/08/07	Huangmei	Carl Hu		B08-166
▽:	▽:	.xx	±0.25	东莞市林诚塑胶电子有限公司			http://www.lineconn.com TEL: 0769-85181660 85181770				
ZERO DEFECT	S.P.C			3		2		1			