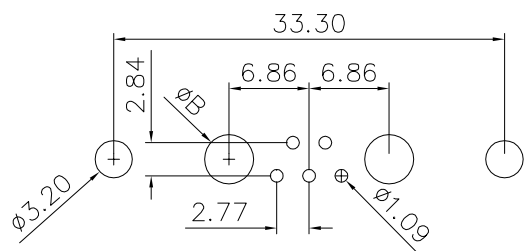
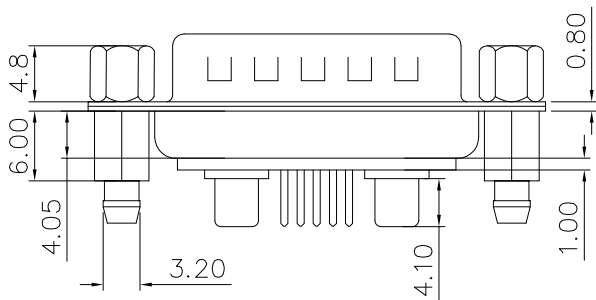


Current rating: 10/20/30/40 AMP.
 Contact resistance: 2.7 milliohms max.
 Withstanding voltage: 1000V AC
 Insulation resistance: 5000M Ω Min.
 Temperature range: -55°C to +125°C
 ROHS compliant
 Part number:

B08-7W2711XD-X2

Terminal plated: _____
 4: Au 2u"
 5: Au 1u"
 Current rating: _____
 A: 10A, Dim. A ϕ 1.70, Dim. B ϕ 2.20
 B: 20A, Dim. A ϕ 2.80, Dim. B ϕ 3.30
 C: 30A, Dim. A ϕ 3.20, Dim. B ϕ 3.70
 D: 40A, Dim. A ϕ 3.80, Dim. B ϕ 4.30



PCB layout

6	Nut	Steel	Plating: Ni
5	Housing	PBT+30%GF	Color: black
4	Riveted insert	Brass	Plating: Ni
3	Rear shell	SPCC	Plating: Sn
2	Front shell	SPCC	Plating: Ni
1	Terminal	Brass	Terminal finish: see part number
Item	Desc.	Material	Remark

QUALITY SYMBOLS

□: ☒:
 CRITICAL MAJOR
 ∇: ∇:
 ZERO DEFECT S.P.C

Tolerance

x. ± 0.60
 .x ± 0.40
 .xx ± 0.25

NAME:

7W2 male vertical for PCB

PART NO.

B08-7W2711XD-X2

REV:

A

UNIT:

mm

DRW BY

CHK BY

APP BY

DRAWING NO.

SCALE:

N:1

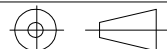
DATE:

2025/01/10

Huangmei

Carl Hu

B08-158



lineconn 东莞市林诚塑胶电子有限公司

http://www.lineconn.com

TEL: 0769-85181660 85181770



2025/01/10

First edition release

Carl Hu

SIDE

8

DATE

DESCRIPTION

APPROVER

5

4

3

2

1