

High power terminal:
Voltage current rating: 10~40A
Contact resistance: 2.7mΩ max.

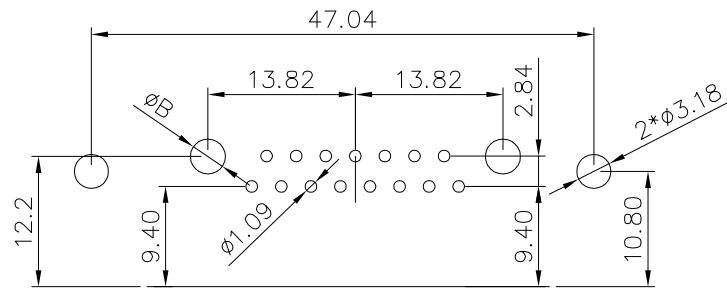
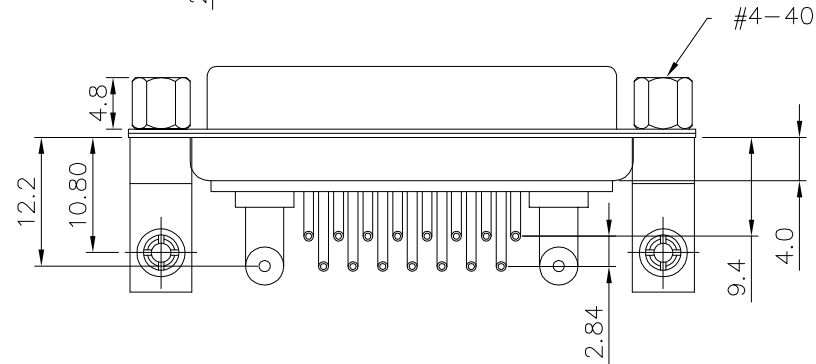
Signal terminal:
Voltage current rating: 5A
Contact resistance: 10mΩ max.

Withstanding voltage: 1000V AC
Insulation resistance: 5000MΩ Min.
Temperature range: -55°C to +125°C
ROHS compliant

Part number: B08-AW2611XD-X1

Terminal plated: _____
4: Au 2u"
5: Au 1u"

Current rating: _____
A: 10A, Dim. A ϕ 1.70, Dim. B ϕ 2.20
B: 20A, Dim. A ϕ 2.80, Dim. B ϕ 3.30
C: 30A, Dim. A ϕ 3.20, Dim. B ϕ 3.70
D: 40A, Dim. A ϕ 3.70 Dim. B ϕ 4.20



PCB layout

7	Screw	Steel	Palting: Ni
6	Board lock	Copper alloy	Palting: Sn
5	Bracket	Steel	Palting: Ni
4	Housing	PBT+30%GF	Color: black
3	Rear shell	SPCC	Palting: Sn
2	Front shell	SPCC	Palting: Ni
1	Terminal	Copper alloy	Plating: see part no.
Item	Desc.	Material	Remark

△	2021/06/24	Change part number	Carl Hu
△	2019/03/11	Add dimension annotations	Jing Li
△	2017/05/13	First edition release	Jing Li
SIDE	DATE	DESCRIPTION	APPROVER

QUALITY SYMBOLS	Tolerance
□: ☒:	.x ±0.60
CRITICAL MAJOR	.x ±0.40
▽: ▽:	.xx ±0.25
ZERO DEFECT S.P.C	

NAME:	17W2 female right angle, riveted bracket, lock screw			PART NO.	B08-AW2611XD-X1		
REV:	C	UNIT:	mm	DRW BY	CHK BY	APP BY	DRAWING NO.
SCALE:	N:1	DATE:	2017/05/13	Yugong	Carl Hu		B08-048
东莞市林诚塑胶电子有限公司				http://www.lineconn.com TEL: 0769-85181660 85181770			