

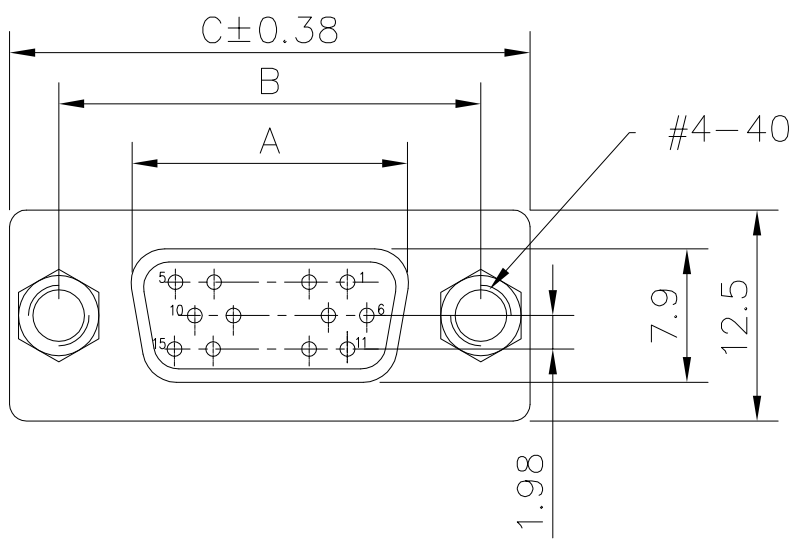
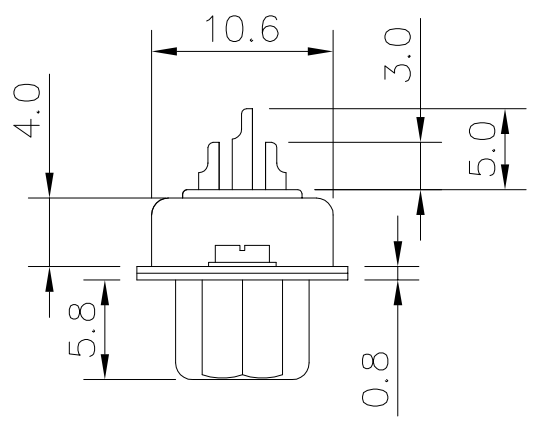
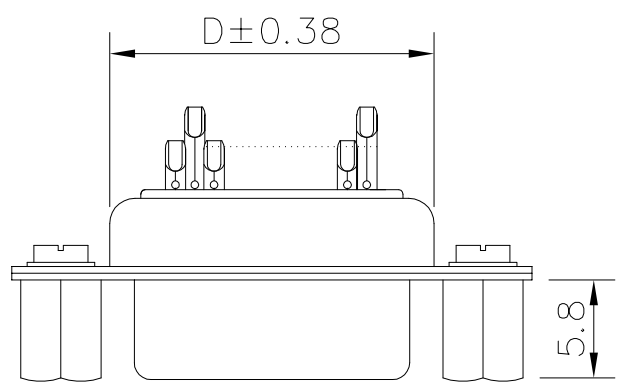
No. of contact	A	B	C	D
15	16.33	24.99	30.81	19.28
26	24.66	33.32	39.14	27.51
44	38.38	47.04	53.04	41.28
62	54.84	63.50	69.32	57.71

Current rating: 3 AMP.  
 Withstanding voltage: 500V AC  
 Insulation resistance: 500MΩ Min.  
 Contact resistance: 35mΩ max.  
 Temperature range: -55°C to +125°C  
 ROHS compliant  
 Part number:

B04-0XX4X1A0-E5

No. of contact: \_\_\_\_\_  
 15: 15pin  
 26: 26pin  
 44: 44pin  
 62: 62pin  
 Housing color: \_\_\_\_\_  
 1: black  
 5: white  
 6: blue

5	Screw	Steel	Palting: Ni
4	Rear shell	SPCC	Palting: Sn
3	Front shell	SPCC	Palting: Ni
2	Housing	PBT+30%GF	Color: see part no.
1	Terminal	Copper alloy	Contact area: G/F Solder area: Sn
Item	Desc.	Material	Remark

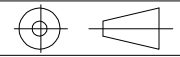


NAME:	HD.D-SUB female solder, front riveted 5.8mm solid core nut			PART NO.	B04-0XX4X1A0-E5		
REV:	D	UNIT:	mm	DRW BY	CHK BY	APP BY	DRAWING NO.
SCALE:	N:1	DATE:	2010/08/29	Huangmei	Carl Hu		B04-019

**lineconn** 东莞市林诚塑胶电子有限公司

http://www.lineconn.com  
 TEL: 0769-85181660 85181770

SIDE	DATE	DESCRIPTION	APPROVER	QUALITY SYMBOLS	Tolerance
△	2022/12/16	Change tolerance	Carl Hu	□:    ☒:	x.    ±0.60
△	2021/06/17	Change tolerance	Shuo Cao	CRITICAL MAJOR	.x    ±0.40
△	2010/08/29	First edition release	Jing Li	∇:    ∇:	.xx   ±0.25
				ZERO DEFECT S.P.C	



8 7 6 5 4 3 2 1

F F

E E

D D

C C

B B

A A

8 7 6 5 4 3 2 1