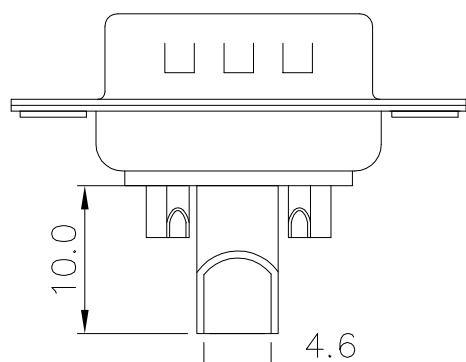


10A, 20A, 30A



40A

High power terminal:
Voltage current rating: 10~40A
Contact resistance: 2.7mΩ max.

Signal terminal:
Voltage current rating: 5A
Contact resistance: 10mΩ max.

Withstanding voltage: 1000V AC
Insulation resistance: 5000MΩ Min.
Temperature range: -55°C to +125°C
ROHS compliant

Part number: B08-5W1311X0-X1

Terminal plating:
4: Full Au 2u"
5: Full Au 1u"
Current rating:
A: 10A, ØA 1.7mm
B: 20A, ØA 2.8mm
C: 30A, ØA 3.2mm
D: 40A, ØA 4.6mm

4	Rear shell	SPCC	Plating: Sn
3	Front shell	SPCC	Plating: Ni
2	Housing	PBT UL94V-0	Color: black
1	Terminal	Copper alloy	Plating: see part no.
Item	Desc.	Material	Remark

△				QUALITY SYMBOLS	Tolerance	NAME:	5W1 male solder, cup 8.5mm			PART NO.	B08-5W1311X0-X1		
△				□: ☒:	x. ±0.60	REV:	A	UNIT:	mm	DRW BY	CHK BY	APP BY	DRAWING NO.
△	2022/01/12	First edition release	Carl Hu	CRITICAL MAJOR	.x ±0.40	SCALE:	N:1	DATE:	2022/01/12	Yugong	Carl Hu		B08-145
SIDE	DATE	DESCRIPTION	APPROVER	▽: ▽:	.xx ±0.25	东莞市林诚塑胶电子有限公司			http://www.lineconn.com TEL: 0769-85181660 85181770				
8	7	6	5	ZERO DEFECTS.P.C		4	3	2	1				