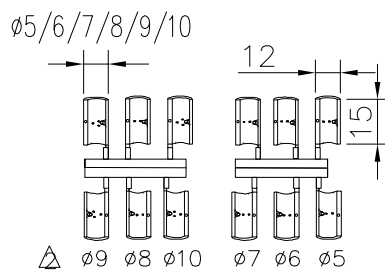
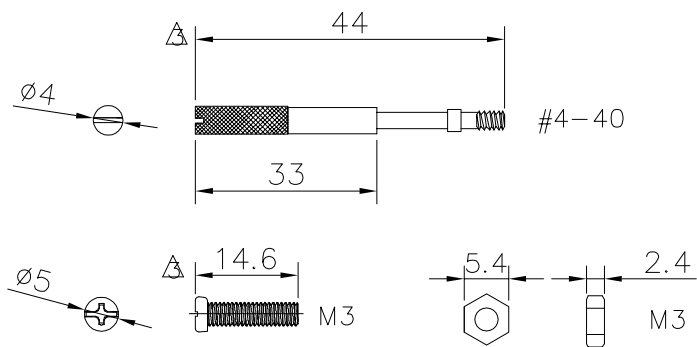


ROHS compliant
Part number:
B05-009NN8N9-XXD

Entry hole sizes:
50: with plastic clip 5.0mm
60: with plastic clip 6.0mm
70: with plastic clip 7.0mm
80: with plastic clip 8.0mm
90: with plastic clip 9.0mm
1A: with plastic clip 10.0mm
1C: 12.0mm, without plastic clip
CQ: with all plastic clip



4	Plastic clip	ABS	Color:black	1set
3	M3 screw & nut	Steel	Plating:Ni	3set
2	#4-40UNC screw	Steel	Plating:Ni	2pcs
1	Hood	Zinc alloy	Plating:Ni	1set
Item	Desc.	Material	Remaks	Quantity

△	2024/09/11	New mold development, changing dimensions	Jack Chen
△	2021/11/29	Change the length of the screw	Jack Chen
△	2016/08/22	First edition release	Jack Chen
SIDE	DATE	DESCRIPTION	APPROVER
8	7	6	5

QUALITY SYMBOLS		Tolerance	
□:	☒:	.x	±0.80
CRITICAL	MAJOR	.x	±0.50
▽:	▽:	.xx	±0.25
ZERO DEFECT	S.P.C		

NAME:	D-SUB 09pin zinc alloy hood,right angle			PART NO.	B05-009NN8N9-XXD		
REV:	D	UNIT:	mm	DRW BY	CHK BY	APP BY	DRAWING NO.
SCALE:	N:1	DATE:	2016/08/22	Huangmei	Jack Chen		B05-080
东莞市林诚塑胶电子有限公司				http://www.lineconn.com TEL:0769-85181660 85181770			
3	2	1					