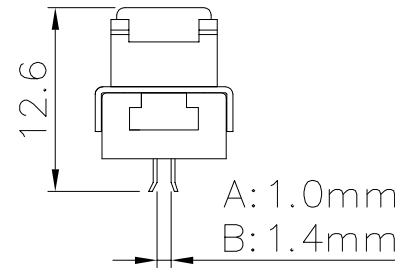
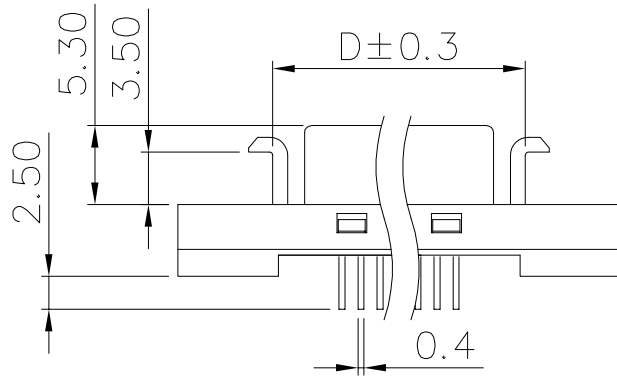
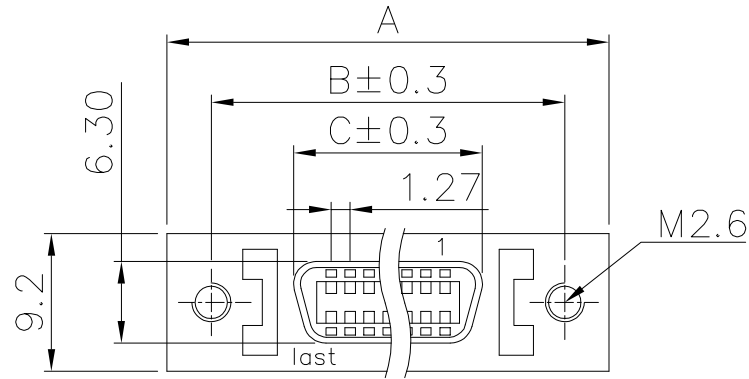


	2		1	
No. of contacts:	A	B	C	D
14	29.6	23.64	12.63	17.08
20	33.4	27.44	16.44	20.60



Current rating: 1A  
 Withstanding voltage: 500V AC  
 Insulation resistance: 500MΩ Min.  
 Contact resistance: 35mΩ max.  
 Temperature range: -55°C to +125°C  
 ROHS compliant

Part number:

B03-0XXF11EN-XL

No. of contacts:

14: 14P

20: 20P

PCB mounting:

A: 1.0mm (for PCB 1.2mm)


B: 1.4mm (for PCB 1.6mm)

4	Bracket	Zinc alloy	Plating: Ni
3	Housing	PBT+G.F.30% (UL 94V-0)	Color: black
2	Shell	SPCC	Plating: Ni
1	Terminal	Phosphor bronze	Contact area: Au 5μ Solder area: Sn Under-plating: Ni
Item	Desc.	Material	Remark

△	2021/06/04	Change part number	Carl Hu
△	2014/01/06	Change tolerance	King Zhou
△	2013/11/09	First edition release	King Zhou

QUALITY SYMBOLS	Tolerance	NAME:	SCSI(HPCN) female clip type for PCB, with support stand			PART NO.	B03-0XXF11EN-XL		
□:      ☒:	.x      ±0.60	REV:	D	UNIT:	mm	DRW BY	CHK BY	APP BY	DRAWING NO.
CRITICAL    MAJOR	.x      ±0.40	SCALE:	N:1	DATE:	2013/11/09	Yugong	Carl Hu		B03-057
▽:      ▽:	.xx     ±0.25								

SIDE	DATE	DESCRIPTION	APPROVER
8	7	6	5


**东莞市林诚塑胶电子有限公司**
<http://www.lineconn.com>  
 TEL: 0769-85181660 85181770