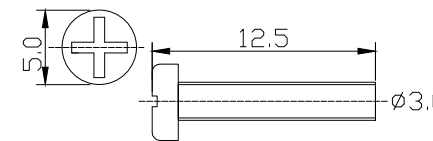
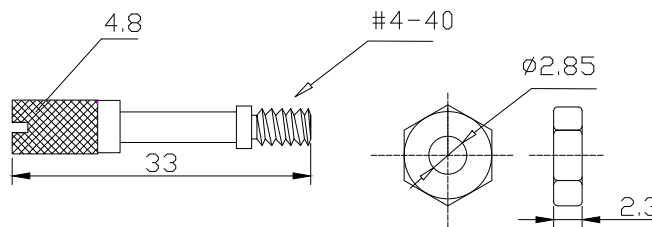
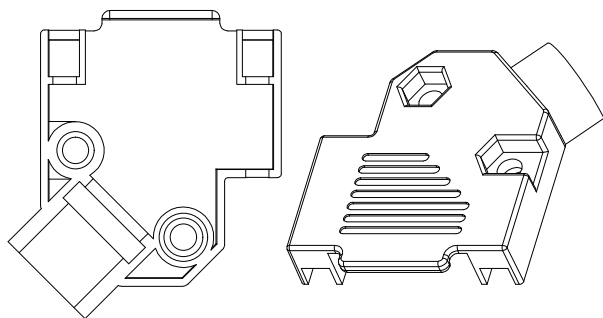
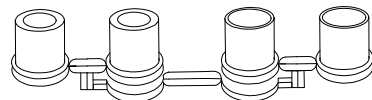


PART NO.:  
B05-009NXNN6-XXE

HOOD COLOR:  
1:BLACK  
2:GRAY

ENTRY HOLE SIZES:  
50:5.0mm  
60:6.0mm  
70:7.0mm  
80:8.0mm  
90:9.0mm



5	塑胶套	PVC	COLOR:BLACK	1PCS
4	33mm螺丝	快削铁+ABS	PLATING:Ni	1PCS
3	固定螺母	快削铁	PLATING:Ni	2PCS
2	固定螺丝	快削铁	PLATING:Ni	2PCS
1	上下外壳	ABS	COLOR:SEE PART NO.	1SET
ITEM	DESC.	MATERIAL	REMAKS	PART REMAKS

A	△			QUALITY SYMBOLS	Tolerance	NAME: D-SUB 9P塑胶装配壳45° 出线 (客户用图)				PART NO.	B05-009NXNN6-XXE		
	△	2022/05/30	修正BOM螺丝用量, 修正料号	JACK CHEN	x. ±0.80	REV:	B	UNIT:	mm	DRW BY	CHK BY	APP BY	DRAWING NO.
	△	2016/01/12	新版发行	JACK CHEN	.x ±0.50	SCALE:	N:1	DATE:	2016/01/12	Shuo Cao	Jack Chen		B05-081
		SIDE	DATE	DESCRIPTION	APPROVER	.xx ±0.25	Lineconn 东莞市林诚塑胶电子有限公司				http://www.lineconn.com TEL:0769-85181660 85181770		
	8	7	6	5	4	3	2	1					