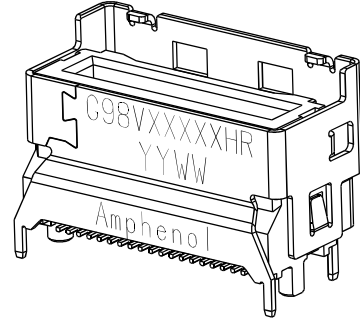
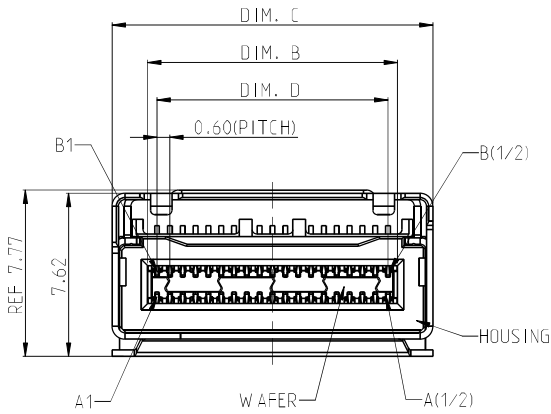


This document is the property of Amphenol Corporation and is delivered on the express condition that it is not to be disclosed, reproduced or used, in whole or in part, for manufacture or sale by anyone other than Amphenol Corporation without its prior consent, and that no right is granted to disclose or to use any information in this document.

The marking on this product doesn't contain environmental hazardous materials per directive 2011/65/EU & 2015/863/EU for RoHS compliant & per IEC 61249-2-21 for Halogen-Free compliant.

REVISIONS				
SYM	ECN No.	DESCRIPTION	DATE	BY
AX8	NA	CORRECT DIMENSION TABLE FOR 100PINS	08/28/2020	JOAN LU
AX9	NA	1. ADDED DIMENSION SPEC FOR G98VXXXXXHR 2. ADDED TABLE 1 FOR PLASTIC COLOR	09/08/2020	JOAN LU
AX10	NA	ADDED RECOMMENDED AIC MATING CARD DIMENSIONS	10/16/2020	JOAN LU
AX11	NA	UPDATED PART NUMBER SYSTEM	01/14/2021	JOAN LU



MINI COOL EDGE IO
INTEGRATED CONNECTOR

VERTICAL TYPE

CONNECTOR SPEED
1: PAM4 56G, 950HM

CHANNEL/PIN QTY:
1: 4X+SB/38P
2: 8X+SB/74P
4: 16X+SB/124P
5: 8X/50P
6: 16X+SB/148P
B: 12X/74P
D: 20X/124P
F: 24X/148P
H: 16X/100P

CONTACT FINISH
2: 15u" GOLD
3: 30u" GOLD

COMPLIANT CODE
HR: HALOGEN-FREE & RoHS

VARIATION CODE
BLANK: STANDARD

PACKING CODE
2: TAPE AND REEL(WITH CAP)

SHELL PIN LENGTH OPTION(DIM.A)
1: 1.50mm
2: 2.20mm
3: 3.00mm
4: 4.20mm

G98 V X X X X X X HR

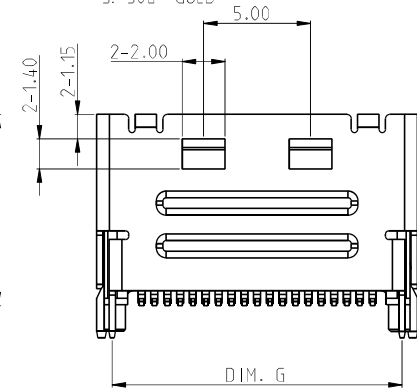
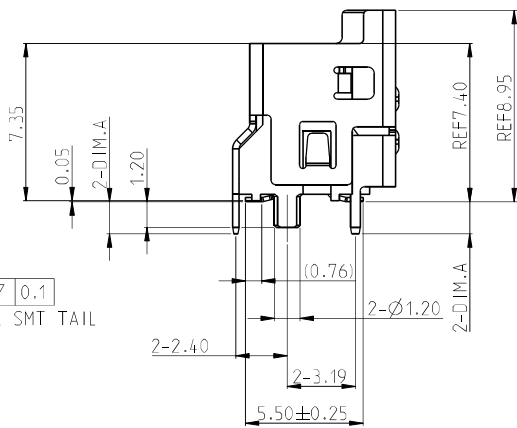
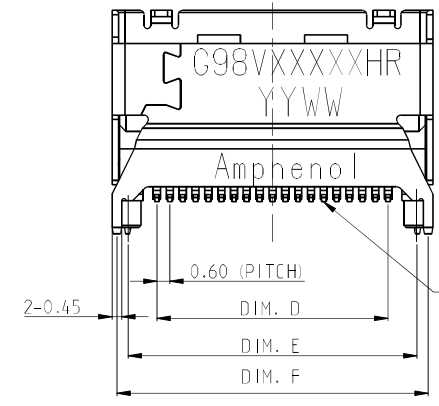


TABLE 1

PN	WAFER COLOR	
G98VX1XXXXHR G98VX2XXXXHR G98VX4XXXXHR G98VX5XXXXHR G98VX6XXXXHR G98VXHXXXXHR	BLACK	
G98VXBXXXXHR G98VXFXXXXHR	NATURE	
G98VXDXXXXHR	A1-A37 B1-B37	NATURE
	A38-A62 B38-B62	BLACK

PART NUMBER	POS. (N)	DIM. B	DIM. C	DIM. D	DIM. E	DIM. F	DIM. G
G98VX1XXXXHR	38	11.68	15.00	10.80	13.50	14.55	13.55
G98VX5XXXXHR	50	15.28	18.60	14.40	17.10	18.15	17.15
G98VX2XXXXHR	74	22.48	25.8	21.60	24.30	25.35	24.35
G98VXBXXXXHR							

NOTES:
1. MATERIALS:
PLASTICS: HIGH TEMPERATURE THERMOPLASTIC UL94-0.
HOUSING COLOR: NATURE. WAFER COLOR: SEE TABLE 1

SHELL: STAINLESS
CONTACT: COPPER ALLOY

2. FINISH
TERMINAL: CONTACT AREA: SELECTED GOLD PLATING.
SOLDER AREA: MATTE TIN PLATING 100u"
UNDER PLATING: NICKEL PLATING 50u"MIN OVER ALL

3. THIS PRODUCT DOESN'T CONTAIN ENVIRONMENTAL HAZARDOUS MATERIALS PER DIRECTIVE 2011/65/EC&2015/863/EU FOR RoHS AND PER IEC 61249-2-21 FOR HALOGEN FREE.

4. PRODUCT SPEC REFER TO PS-7793.

TOLERANCE	DRAWN APPROVALS	DATE
X.X ±0.30	DESIGNED Joan Lu	01/15/2021
X.XX ±0.20	CHECKED Sondra Sang	01/15/2021
X.XXX ±0.10	APPROVED Hank Hsu	01/15/2021
ANGULAR ±2°	DWG TYPE CUST DWG	PROJECT CODE TXXX

TITLE
MINI COOL EDGE IO
INTEGRATED CONNECTOR
0.6 PITCH, VERTICAL
STANDARD. SMT TYPE

UNIT: mm
SCALE: NA
SHEET: 1 OF 7

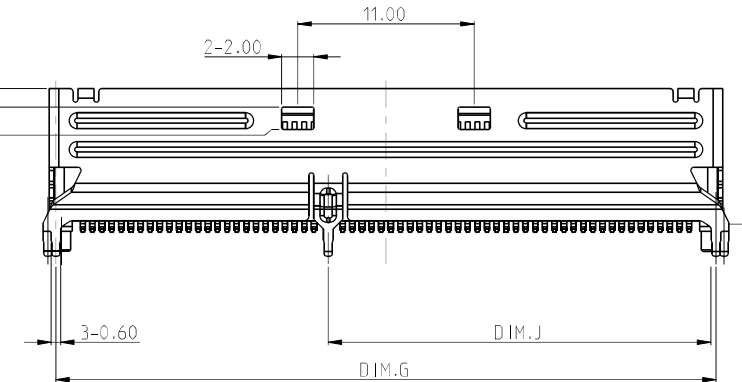
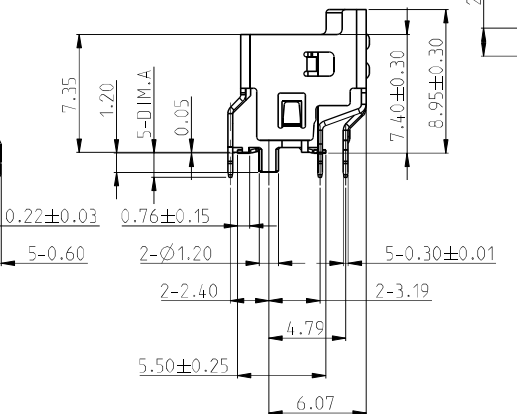
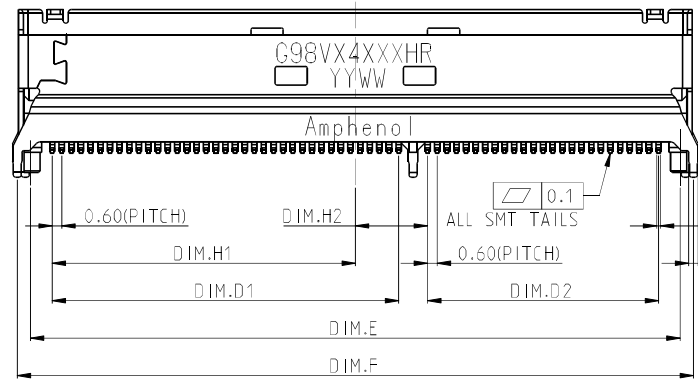
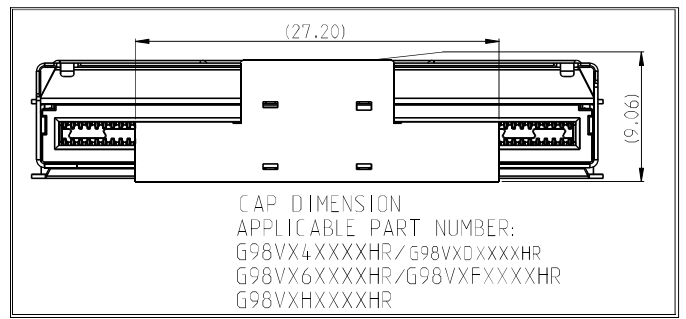
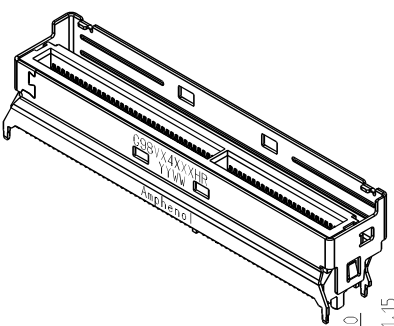
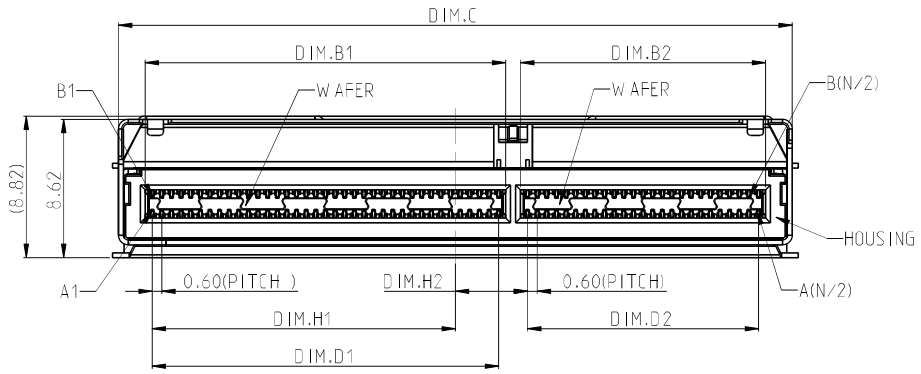
Amphenol®
Amphenol Corporation
Amphenol Taiwan Corporation

PART No. **G98VXXXXXHR**
DWG No. **G98VXXXXXHR**
REV. **AX11**

This document is the property of Amphenol Corporation and is delivered on the express condition that it is not to be disclosed, reproduced or used, in whole or in part, for manufacture or sale by anyone other than Amphenol Corporation without its prior consent, and that no right is granted to disclose or to use any information in this document.

The marking on this product doesn't contain environmental hazardous materials per directive 2011/65/EU & 2015/863 for RoHS compliant & per IEC 61249-2-21 for Halogen-Free compliant.

REVISIONS				
SYM	ECN No.	DESCRIPTION	DATE	BY
AX8	NA	CORRECT DIMENSION TABLE FOR 100PINS	08/28/2020	JOAN LU
AX9	NA	1. ADDED DIMENSION SPEC FOR G98VXXXXHR 2. ADDED TABLE 1 FOR PLASTIC COLOR	09/08/2020	JOAN LU
AX10	NA	ADDED RECOMMENDED AIC MATING CARD DIMENSIONS	10/16/2020	JOAN LU
AX11	NA	UPDATED PART NUMBER SYSTEM	01/14/2021	JOAN LU



PART NUMBER	POS. (N)	DIM. B1	DIM. B2	DIM. C	DIM. D1	DIM. D2	DIM. E	DIM. F	DIM. G	DIM. H1	DIM. H2	DIM. J
G98VX4XXXHR	124	22.48	15.28	42.00	21.60	14.40	40.50	42.15	41.15	18.90	4.50	23.85
G98VXDXXXHR												
G98VX6XXXHR	148	22.48	22.48	49.20	21.60	21.60	47.70	49.35	48.35	22.50	0.90	23.85
G98VXFXXXHR												
G98VXHXXXHR	100	15.28	15.28	34.80	14.40	14.40	33.30	34.95	33.95	15.30	0.90	16.65



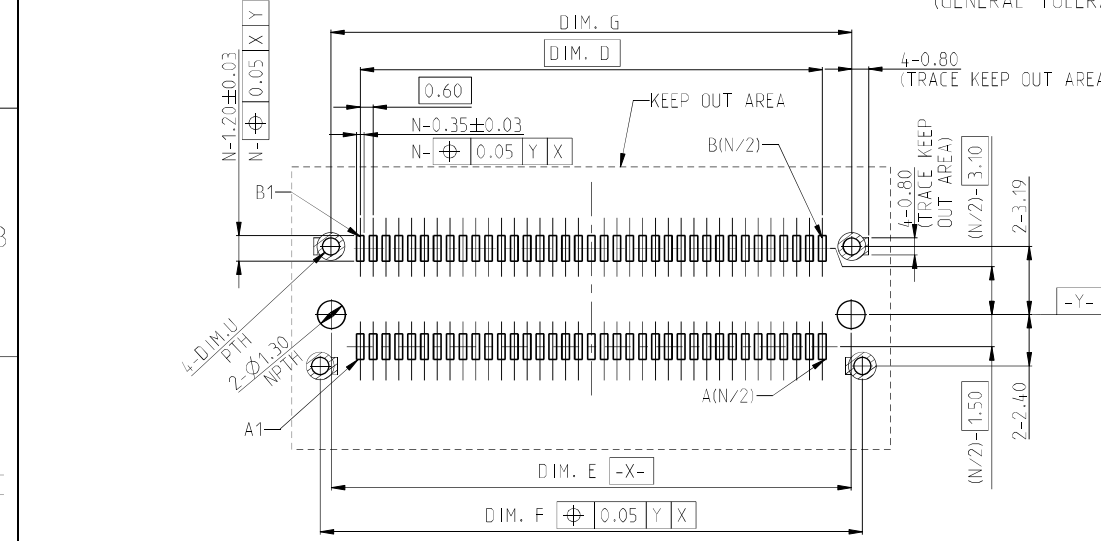
TOLERANCE X. ±0.30 X.X ±0.20 X.XX ±0.20 X.XXX ±0.10 ANGULAR ±2° UNLESS OTHERWISE SPECIFIED	DRAWN APPROVALS DESIGNED Joan Lu CHECKED Sondra Sang APPROVED Hank Hsu DWG TYPE CUST DWG	DATE 01/15/2021 01/15/2021 01/15/2021 PROJECT CODE TXXX	TITLE MINI COOL EDGE 10 INTEGRATED CONNECTOR 0.6 PITCH, VERTICAL STANDARD, SMT TYPE	Amphenol® Amphenol Corporation Amphenol Taiwan Corporation
	UNIT MM SCALE NA	SIZE A3 SHEET 3 OF 7	PART No. G98VXXXXXHR DWG No. G98VXXXXXHR	
		REV. AX11		

This document is the property of Amphenol Corporation and is delivered on the express condition that it is not to be disclosed, reproduced or used, in whole or in part, for manufacture or sale by anyone other than Amphenol Corporation without its prior consent, and that no right is granted to disclose or to use any information in this document.

The marking on this product doesn't contain environmental hazardous materials per directive 2011/65/EU & 2015/863 for RoHS compliant & per IEC 61249-2-21 for Halogen-Free compliant.

REVISIONS				
SYM	ECN No.	DESCRIPTION	DATE	BY
AX8	NA	CORRECT DIMENSION TABLE FOR 100PINS	08/28/2020	JOAN LU
AX9	NA	1. ADDED DIMENSION SPEC FOR G98VXXXXHR 2. ADDED TABLE 1 FOR PLASTIC COLOR	09/08/2020	JOAN LU
AX10	NA	ADDED RECOMMENDED AIC MATING CARD DIMENSIONS	10/16/2020	JOAN LU
AX11	NA	UPDATED PART NUMBER SYSTEM	01/14/2021	JOAN LU

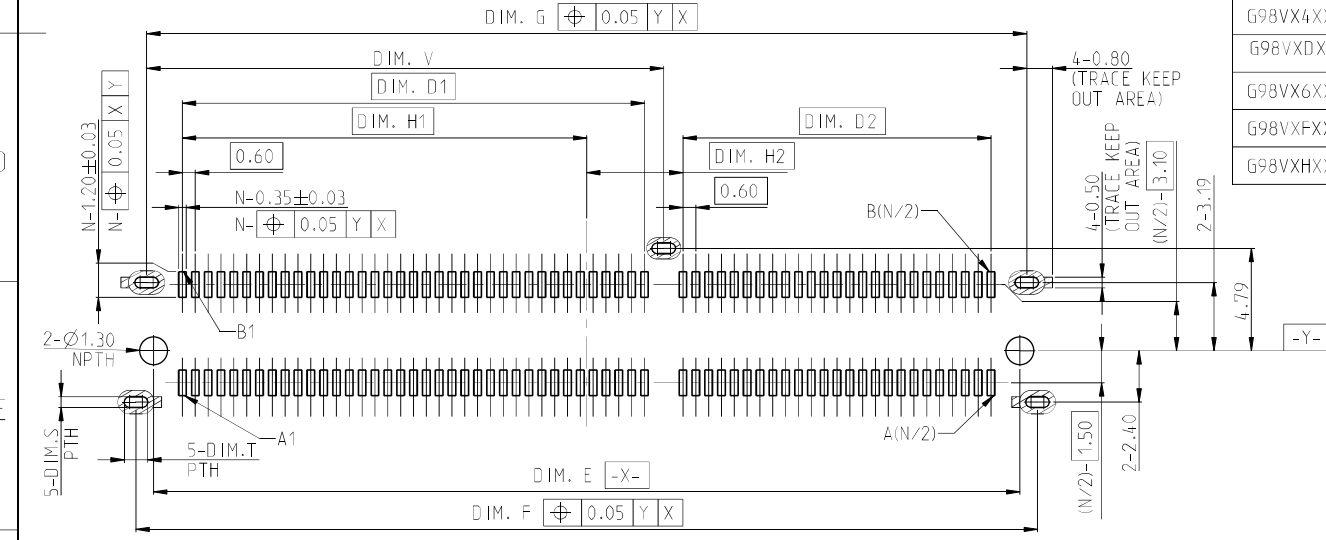
RECOMMENDED PCB LAYOUT
(GENERAL TOLERANCES :+/-0.05)



PART NUMBER	POS. (N)	DIM. D	DIM. E	DIM. F	DIM. G
G98VX1XXXXHR	38	10.80	13.50	14.55	13.55
G98VX5XXXXHR	50	14.40	17.10	18.15	17.15
G98VX2XXXXHR	74	21.60	24.30	25.35	24.35
G98VXBXXXHR					

PART NUMBER (APPLY TO 38P/74P/50P)	DIM. U
G98VXXXX1XHR	0.8
G98VXXXX2XHR	
G98VXXXX3XHR	
G98VXXXX4XHR	

PART NUMBER	POS. (N)	DIM. D1	DIM. D2	DIM. E	DIM. F	DIM. G	DIM. H1	DIM. H2	DIM. V
G98VX4XXXXHR	124	21.60	14.40	40.50	42.15	41.15	18.90	4.50	24.175
G98VXDXXXXHR									
G98VX6XXXXHR	148	21.60	21.60	47.70	49.35	48.35	22.50	0.90	24.175
G98VFXXXXXHR									
G98VXHXXXXHR	100	14.40	14.40	33.30	34.95	33.95	15.30	0.90	16.975



PART NUMBER	POS. (N)	DIM. S	DIM. T
G98VX4XX1XHR/G98VXDXX1XHR	124	0.5	1.1
G98VX4XX2XHR/G98VXDXX2XHR			
G98VX4XX3XHR//G98VXDXX3XHR			
G98VX4XX4XHR//G98VXDXX4XHR	148	0.65	1.3
G98VX6XXXXHR			
G98VFXXXXXHR			
G98VXHXXXXHR	100	0.5	1.1

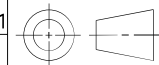


TOLERANCE	APPROVALS	DATE
X. ±0.30	DESIGNED Joan Lu	01/15/2021
X.X ±0.20	CHECKED Sondra Sang	01/15/2021
X.XX ±0.10	APPROVED Hank Hsu	01/15/2021
ANGULAR ±2°	DWG TYPE CUST DWG	PROJECT CODE TXXX

TITLE	UNIT	SIZE
MINI COOL EDGE 10 INTEGRATED CONNECTOR 0.6 PITCH, VERTICAL STANDARD. SMT TYPE	mm	A3
SCALE NA	SHEET 4 OF 7	DWG No. G98VXXXXXXHR

Amphenol®
Amphenol Corporation
Amphenol Taiwan Corporation

PART No. G98VXXXXXXHR
REV. AX11

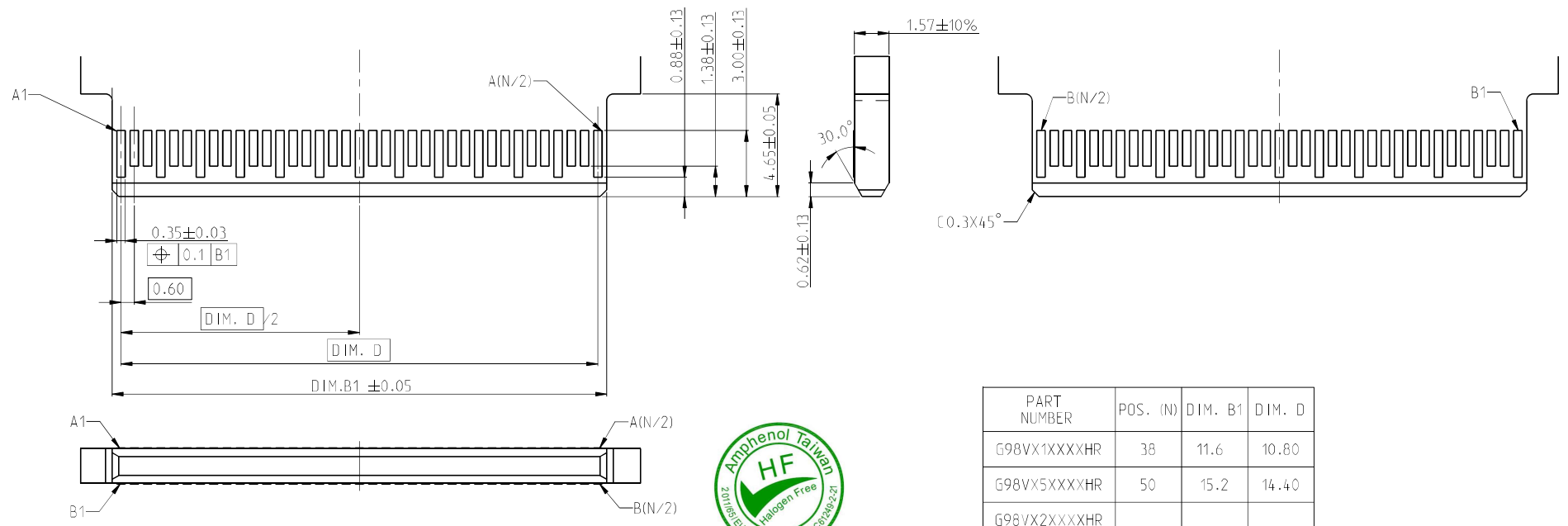


This document is the property of Amphenol Corporation and is delivered on the express condition that is not to be disclosed, reproduced or used, in whole or in part, for manufacture or sale by anyone other than Amphenol Corporation without its prior consent, and that no right is granted to disclose or to use any information in this document.

The marking on this product doesn't contain environmental hazardous materials per directive 2011/65/EU & 2015/863 for RoHS compliant & per IEC 61249-2-21 for Halogen-Free compliant.

REVISIONS				
SYM	ECN No.	DESCRIPTION	DATE	BY
AX8	NA	CORRECT DIMENSION TABLE FOR 100PINS	08/28/2020	JOAN LU
AX9	NA	1. ADDED DIMENSION SPEC FOR G98VXXXXHR 2. ADDED TABLE 1 FOR PLASTIC COLOR	09/08/2020	JOAN LU
AX10	NA	ADDED RECOMMENDED AIC MATING CARD DIMENSIONS	10/16/2020	JOAN LU
AX11	NA	UPDATED PART NUMBER SYSTEM	01/14/2021	JOAN LU

RECOMMENDED AIC MATING CARD DIMENSIONS



PART NUMBER	POS. (N)	DIM. B1	DIM. D
G98VX1XXXXHR	38	11.6	10.80
G98VX5XXXXHR	50	15.2	14.40
G98VX2XXXXHR	74	22.4	21.6
G98VXBXXXXHR			



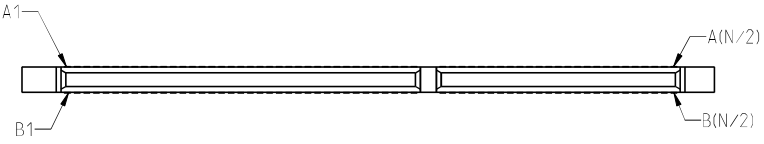
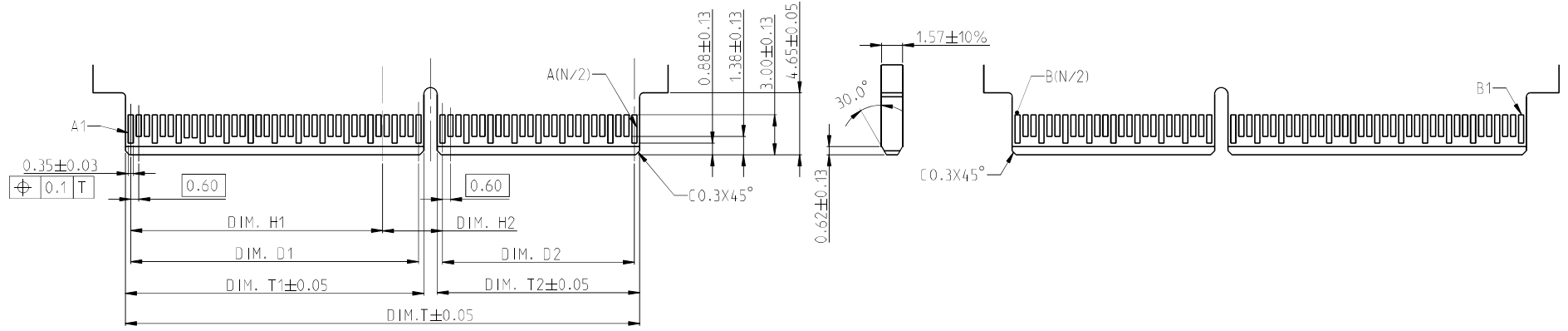
TOLERANCE	APPROVALS	DATE	TITLE	Amphenol® Amphenol Corporation Amphenol Taiwan Corporation		
X. ±0.30	DESIGNED Joan Lu	01/15/2021	MINI COOL EDGE 10 INTEGRATED CONNECTOR 0.6 PITCH, VERTICAL STANDARD. SMT TYPE	UNIT	SIZE	PART No.
X.X ±0.20	CHECKED Sondra Sang	01/15/2021		mm	A3	G98VXXXXXXHR
X.XX ±0.10	APPROVED Hank Hsu	01/15/2021	UNLESS OTHERWISE SPECIFIED	SCALE	SHEET	DWG No.
ANGULAR ±2°	DWG TYPE CUST DWG	PROJECT CODE T631		NA	5 OF 7	G98VXXXXXXHR
						REV. AX11

This document is the property of Amphenol Corporation and is delivered on the express condition that it is not to be disclosed, reproduced or used, in whole or in part, for manufacture or sale by anyone other than Amphenol Corporation without its prior consent, and that no right is granted to disclose or to use any information in this document.

The marking on this product doesn't contain environmental hazardous materials per directive 2011/65/EU & 2015/863 for RoHS compliant & per IEC 61249-2-21 for Halogen-Free compliant.

REVISIONS				
SYM	ECN No.	DESCRIPTION	DATE	BY
AX8	NA	CORRECT DIMENSION TABLE FOR 100PINS	08/28/2020	JOAN LU
AX9	NA	1. ADDED DIMENSION SPEC FOR G98VXXXXHR 2. ADDED TABLE 1 FOR PLASTIC COLOR	09/08/2020	JOAN LU
AX10	NA	ADDED RECOMMENDED AIC MATING CARD DIMENSIONS	10/16/2020	JOAN LU
AX11	NA	UPDATED PART NUMBER SYSTEM	01/14/2021	JOAN LU

RECOMMENDED AIC MATING CARD DIMENSIONS



PART NUMBER	POS. (N)	DIM. D1	DIM. D2	DIM. H1	DIM. H2	DIM. T	DIM. T1	DIM. T2
G98VX4XXXXHR	124	21.60	14.40	18.90	4.50	38.6	22.4	15.2
G98VXDXXXXHR								
G98VX6XXXXHR	148	21.60	21.60	22.50	0.90	45.8	22.4	22.4
G98VFXXXXXHR								
G98VXHXXXXHR	100	14.40	14.40	15.30	0.90	31.40	15.20	15.20

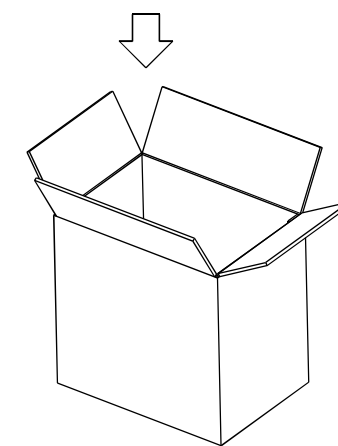
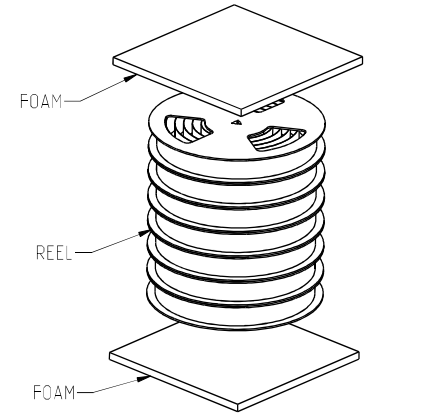
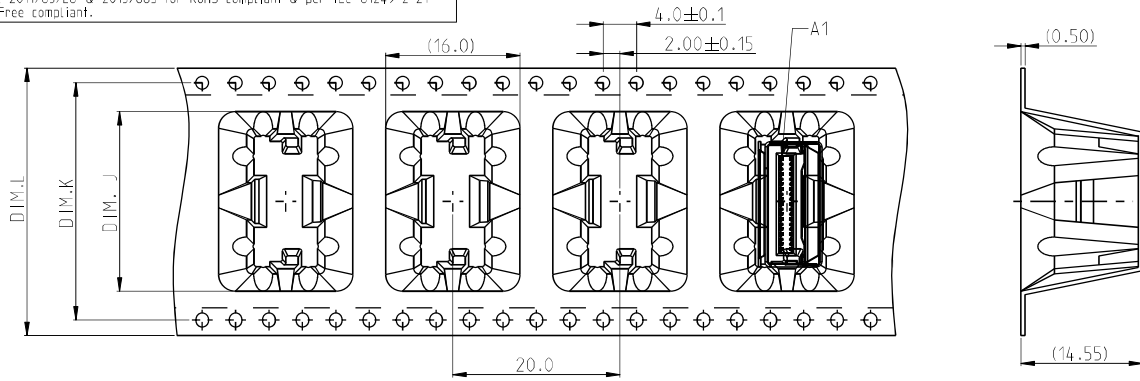


TOLERANCE	DRAWN APPROVALS	DATE	TITLE	Amphenol®		
X. ±0.30	DESIGNED Joan Lu	01/15/2021	MINI COOL EDGE 10 INTEGRATED CONNECTOR 0.6 PITCH, VERTICAL STANDARD. SMT TYPE	Amphenol Corporation Amphenol Taiwan Corporation		
X.X ±0.20						
X.XX ±0.10	APPROVED Hank Hsu	01/15/2021	UNLESS OTHERWISE SPECIFIED	UNIT mm	SIZE A3	PART No. G98VXXXXXHR
ANGULAR ±2°	DWG TYPE CUST DWG	PROJECT CODE T631		SCALE NA	SHEET 6 OF 7	DWG No. G98VXXXXXHR

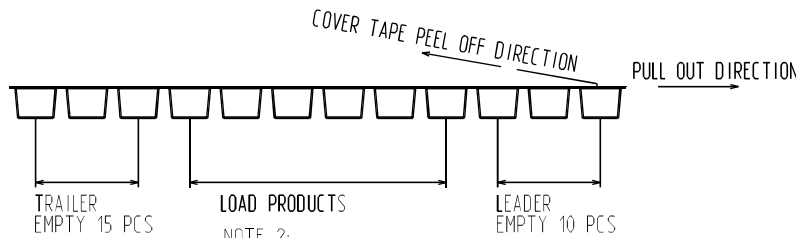
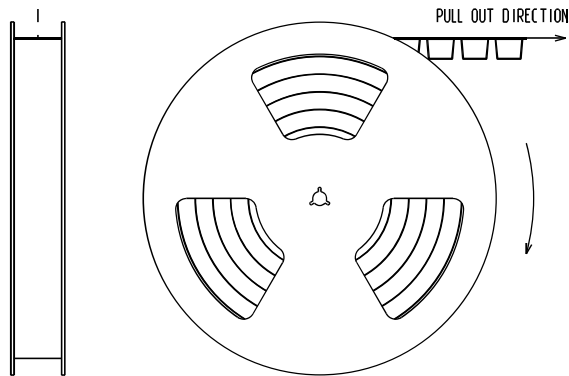
This document is the property of Amphenol Corporation and is delivered on the express condition that it is not to be disclosed, reproduced or used, in whole or in part, for manufacture or sale by anyone other than Amphenol Corporation without its prior consent, and that no right is granted to disclose or to use any information in this document.

The marking on this product doesn't contain environmental hazardous materials per directive 2011/65/EU & 2015/863 for RoHS compliant & per IEC 61249-2-21 for Halogen-Free compliant.

REVISIONS				
SYM	ECN No.	DESCRIPTION	DATE	BY
AX8	NA	CORRECT DIMENSION TABLE FOR 100PINS	08/28/2020	JOAN LU
AX9	NA	1. ADDED DIMENSION SPEC FOR G98VXXXXHR 2. ADDED TABLE 1 FOR PLASTIC COLOR	09/08/2020	JOAN LU
AX10	NA	ADDED RECOMMENDED AIC MATING CARD DIMENSIONS	10/15/2020	JOAN LU
AX11	NA	UPDATED PART NUMBER SYSTEM	01/14/2021	JOAN LU



PART NUMBER	PCS. (N)	DIM. J	DIM. K	DIM. L	REEL (Q'TY)	CARTON (PCS)
G98VX1XXXXHR	38	(21.5)	28.4±0.1	32.0±0.3	7	1400
G98VX5XXXXHR	50	(27.7)	40.4±0.1	44.0±0.3	5	1000
G98VX2XXXXHR	74	(34.0)	52.4±0.1	56.0±0.3	4	800
G98VBXXXXHR						
G98VHXXXXHR	100	(43.5)	52.4±0.1	56.0±0.3	4	800
G98VX4XXXXHR	124	(50.7)	68.40±0.1	72.0±0.3	3	600
G98VXDXXXXHR						
G98VX6XXXXHR	148	(57.9)	68.40±0.1	72.0±0.3	3	600
G98VFXXXXXHR						



- NOTE 2:
 1. CARTON SIZE 340L X 340W X 265H
 2. PREFER TO AMTA LABELING STANDARD.
 3. CARTON CLOSURES MUST BE SEALS WITH TAPE.

NOTE 1:
 1. MATERIAL:
 CARRIER TAPE: POLYSTYRENE, BLACK
 COVER TAPE: TRANSPARENT POLYSTYRENE
 REEL: POLYSTYRENE, BLACK
 2. ALL TAPE AND REEL SPECIFICATION FOLLOW EIA-481 STANDARD.
 3. THIS PRODUCT DOESN'T CONTAIN ENVIRONMENTAL HAZARDOUS MATERIALS PER DIRECTIVE 2011/65/EC & 2015/863/EU FOR RoHS AND PER IEC 61249-2-21 FOR HALOGEN FREE

TOLERANCE	DRAWN APPROVALS	DATE	TITLE	UNIT	SIZE	PART No.
X. ±0.30	DESIGNED Joan Lu	01/15/2021	MINI COOL EDGE 10 INTEGRATED CONNECTOR 0.6 PITCH, VERTICAL STANDARD, SMT TYPE	MM	A3	G98VXXXXXHR
X.XX ±0.20	CHECKED Sondra Sang	01/15/2021				
X.XXX ±0.10	APPROVED Hank Hsu	01/15/2021				
ANGULAR ±2°	DWG TYPE CUST DWG	PROJECT CODE TXXX	SCALE NA	SHEET 7 OF 7	DWG No. G98VXXXXXHR	REV. AX11

