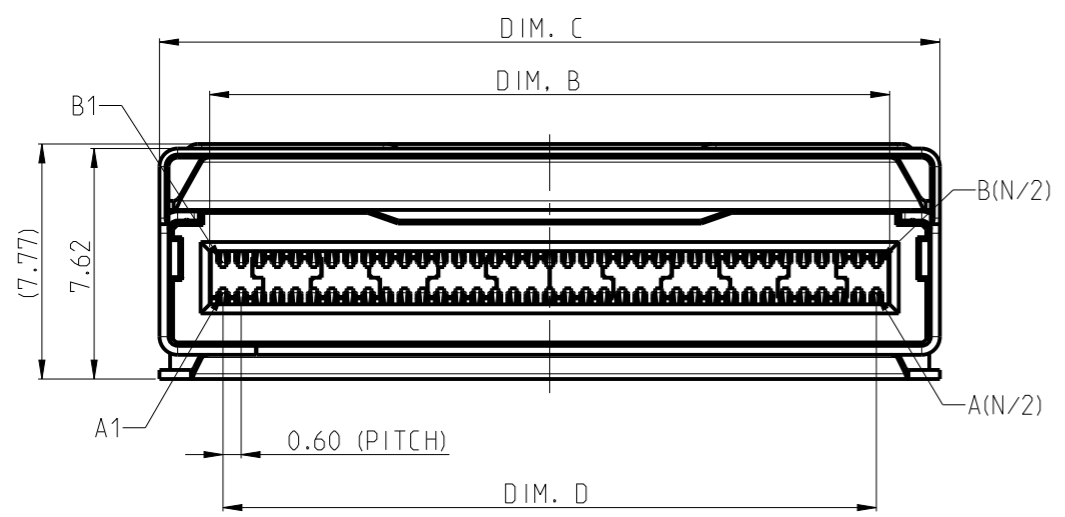


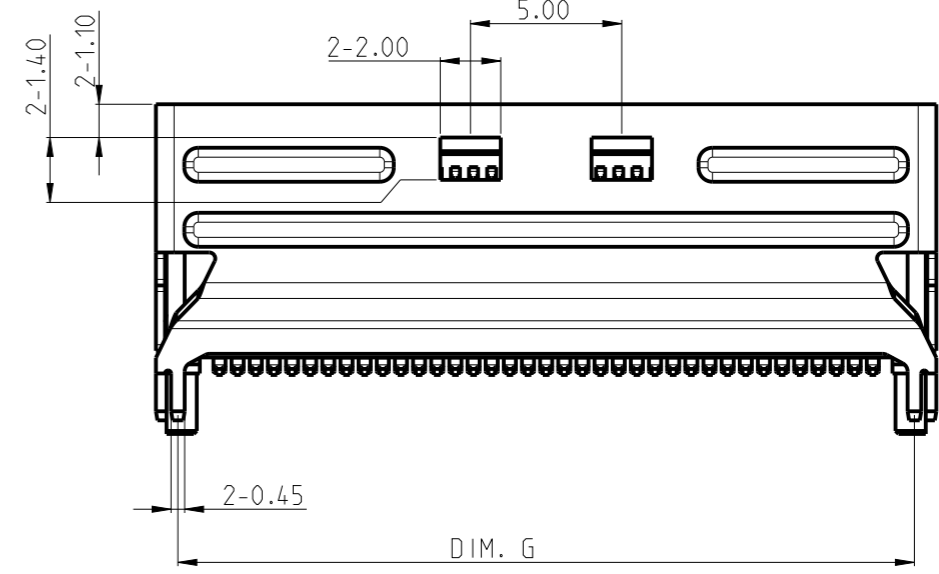
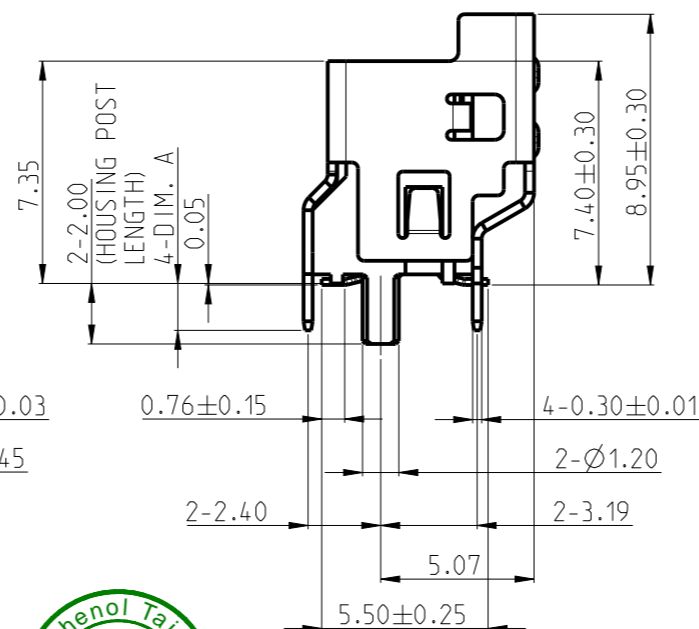
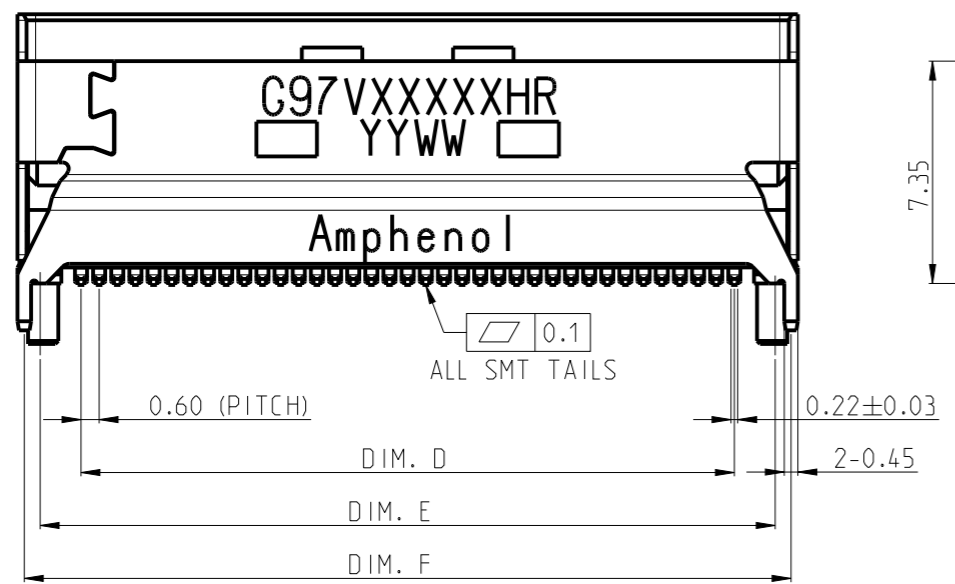
This document is the property of Amphenol Corporation and is delivered on the express condition that is not to be disclosed, reproduced or used, in whole or in part, for manufacture or sale by anyone other than Amphenol Corporation without its prior consent, and that no right is granted to disclose or to use any information in this document.

The marking on this product doesn't contain environmental hazardous materials per Material Specification SS-00259 for Sony GP compliant or per directive 2011/65/EU for RoHS compliant or per IEC 61249-2-21 for Halogen-Free compliant.

REVISIONS				
SYM	ECN No.	DESCRIPTION	DATE	BY
AX13	NA	ADDED NOTE FOR TRACE KEEP OUT AREA	01/31/2020	JOAN LU
AX14	NA	REMOVE UNNECESSARY WORD IN RECOMMENDED PCB LAYOUT	03/11/2020	JOAN LU
AX15	NA	ADDED SPEC OF 50 POS	04/08/2020	JOAN LU
AX16	NA	MODIFY DRAWING	09/11/2020	JOAN LU



- MINI COOL EDGE IO INTEGRATED CONNECTOR
- VERTICAL TYPE
- CONNECTOR SPEED  
1 : PCIE GEN 4  
2 : PCIE GEN 5
- CHANNEL/PIN QTY  
1: 38P(4X+SIDE BAND OR 6X)  
2: 74P(8X+SIDE BAND OR 12X)  
4: 124P(16X+SIDE BAND OR 20X)  
5: 50P(6X+SIDE BAND OR 8X)  
6: 148P(20X+SIDE BAND OR 24X)  
7: 84P(8X+SIDE BAND OR 13X+SIDE BAND)
- CONTACT FINISH  
2: 15u" GOLD  
3: 30u" GOLD
- COMPLIANT CODE  
HR: HALOGEN-FREE & RoHS
- VARIATION CODE  
BLANK: STANDARD
- PACKING CODE  
2: TAPE AND REEL(WITH CAP)  
3: TAPE AND REEL(W/O PICK UP)  
4: TAPE AND REEL  
(WITH MYLAR, FOR G97VX7XX4HR ONLY)
- SHELL PIN LENGTH OPTION(DIM.A)  
1: 1.50mm  
2: 2.20mm  
3: 3.00mm  
4: 4.20mm  
5: 1.20mm(SHELL PIN AND HOUSING POST)  
6: 1.85mm  
5.00



PART NUMBER	POS. (N)	DIM. B	DIM. C	DIM. D	DIM. E	DIM. F	DIM. G
G97VX1XXXXHR	38	11.68	15.00	10.80	13.50	14.55	13.55
G97VX5XXXXHR	50	15.28	18.60	14.40	17.10	18.15	17.15
G97VX2XXXXHR	74	22.48	25.80	21.60	24.30	25.35	24.35

NOTES:  
 1. MATERIALS:  
 PLASTICS : HIGH TEMPERATURE THERMOPLASTIC UL94-0,COLOR: BLACK  
 SHELL : STAINLESS  
 CONTACT: COPPER ALLOY  
 2: FINISH  
 TERMINAL : CONTACT AREA : SELECTED GOLD PLATING.  
 SOLDER AREA : MATTE TIN PLATING 100u"  
 UNDER PLATING: NICKEL PLATING 50u"MIN OVER ALL  
 SHELL : UNDER PLATING: ELECTROLESS NICKEL PLATING 50u"MIN OVER ALL  
 3.THIS PRODUCT DOESN'T CONTAIN ENVIRONMENTAL HAZARDOUS MATERIALS PER DERCTIVE 2011/65/EC FOR RoHS AND PER IEC 61249-2-21 FOR HALOGEN FREE.

TOLERANCE	DESIGNED	DATE
X. ±0.30	Joan Lu	09/11/2020
X.X ±0.20	Sondra Sang	09/11/2020
X.XXX ±0.10	Hank Hsu	09/11/2020
ANGULAR ±2°		
UNLESS OTHERWISE SPECIFIED	CUST DWG	PROJECT CODE TXXX

TITLE  
 MINI COOL EDGE IO INTEGRATED CONNECTOR  
 0.6 PITCH, VERTICAL  
 FOR PCIE. SMT TYPE

UNIT mm SIZE A3  
 SCALE NA SHEET 1 OF 12

**Amphenol®**  
 Amphenol Corporation  
 Amphenol Taiwan Corporation

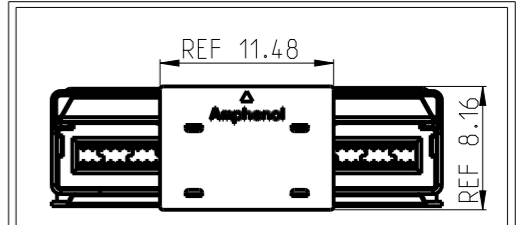
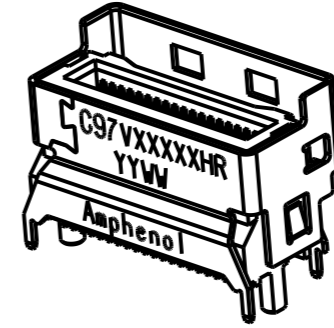
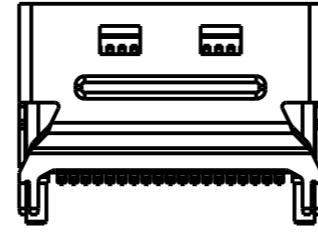
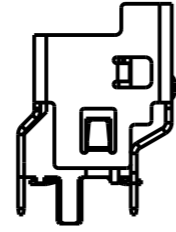
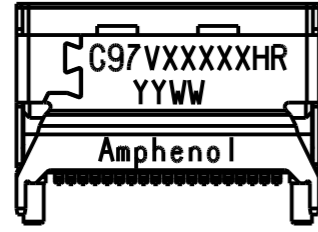
PART No. **G97VXXXXXXHR**  
 DWG No. G97VXXXXXXHR  
 REV. AX16

This document is the property of Amphenol Corporation and is delivered on the express condition that is not to be disclosed, reproduced or used, in whole or in part, for manufacture or sale by anyone other than Amphenol Corporation without its prior consent, and that no right is granted to disclose or to use any information in this document.

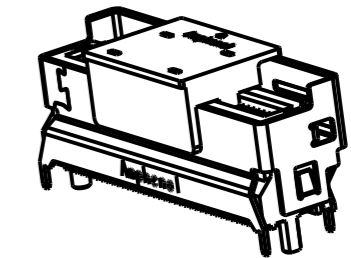
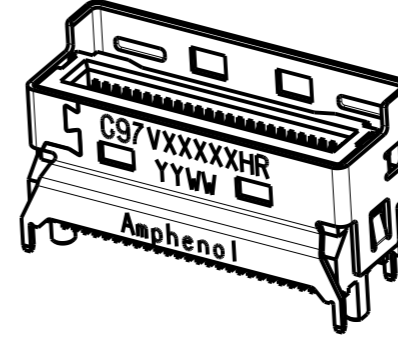
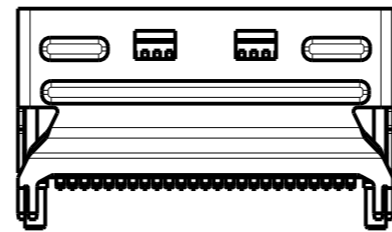
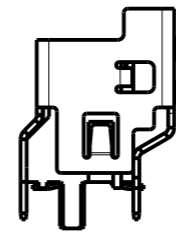
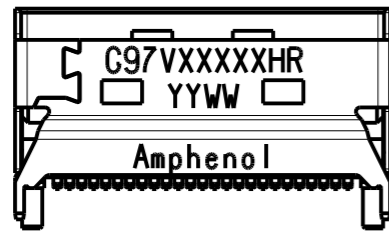
The marking on this product doesn't contain environmental hazardous materials per Material Specification SS-00259 for Sony GP compliant or per directive 2011/65/EU for RoHS compliant or per IEC 61249-2-21 for Halogen-Free compliant.

REVISIONS				
SYM	ECN No.	DESCRIPTION	DATE	BY
AX13	NA	ADDED NOTE FOR TRACE KEEP OUT AREA	01/31/2020	JOAN LU
AX14	NA	REMOVE UNNECESSARY WORD IN RECOMMENDED PCB LAYOUT	03/11/2020	JOAN LU
AX15	NA	ADDED SPEC OF 50 POS	04/08/2020	JOAN LU
AX16	NA	MODIFY DRAWING	09/11/2020	JOAN LU

G97VX1XXXHR

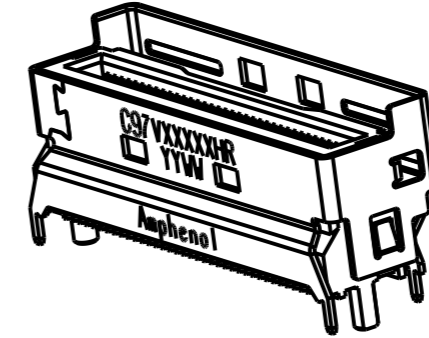
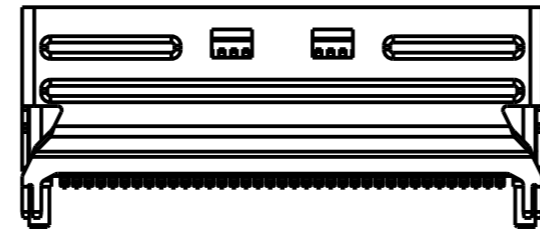
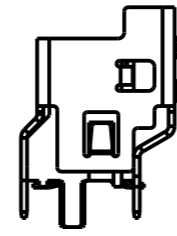
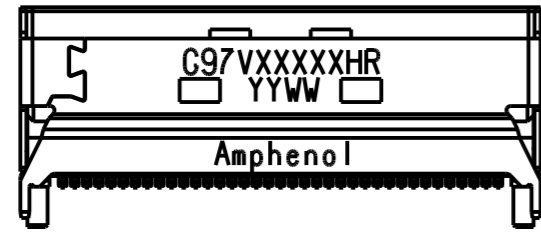


G97VX5XXXHR



CAP DIMENSION  
APPLCABLE PART NUMBER:  
G97VX1XX2HR  
G97VX2XX2HR  
G97VX5XX2HR

G97VX2XXXHR



TOLERANCE	APPROVALS	DATE
X.	DESIGNED	
X.X ±0.30	Joan Lu	09/11/2020
X.XX ±0.20	CHECKED	
X.XXX ±0.10	Sondra Sang	09/11/2020
ANGULAR ±2°	APPROVED	
	Hank Hsu	09/11/2020
UNLESS OTHERWISE SPECIFIED	DWG TYPE	PROJECT CODE
	CUST DWG	TXXX

TITLE  
MINI COOL EDGE IO  
INTEGRATED CONNECTOR  
0.6 PITCH, VERTICAL  
FOR PCIE. SMT TYPE

UNIT mm SIZE A3  
SCALE NA SHEET 2 OF 12

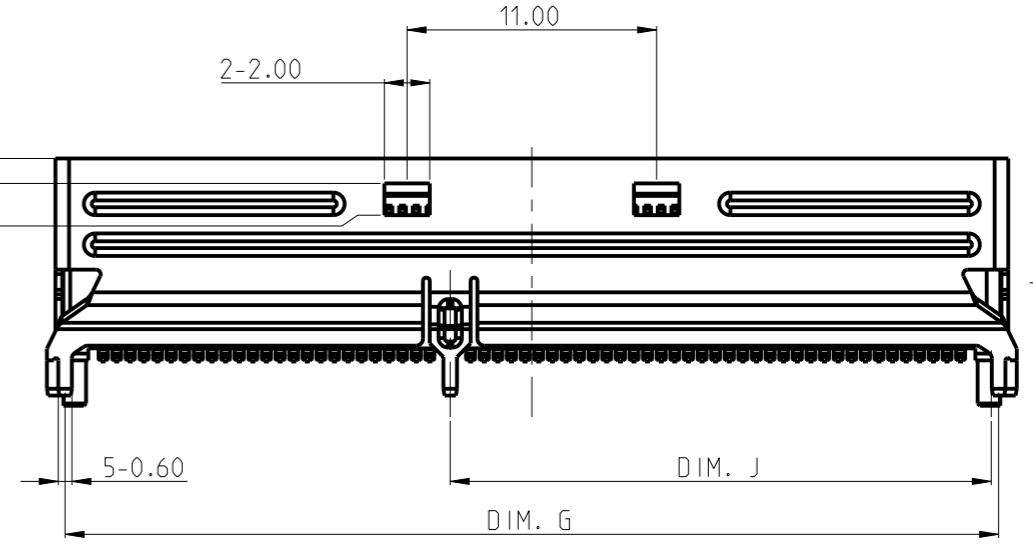
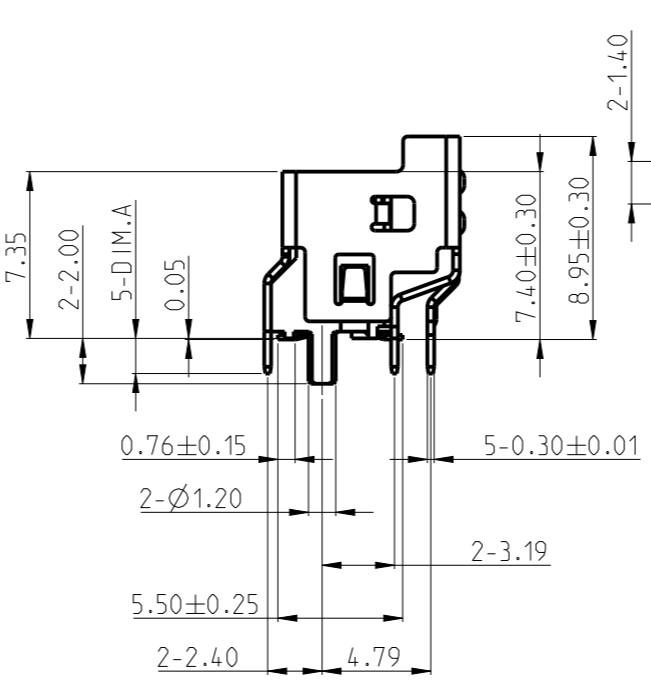
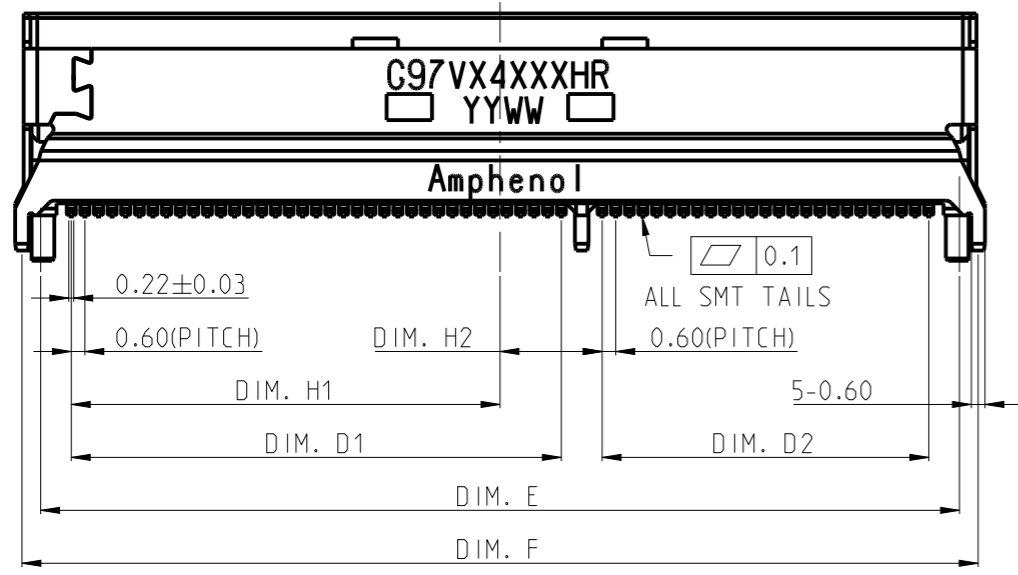
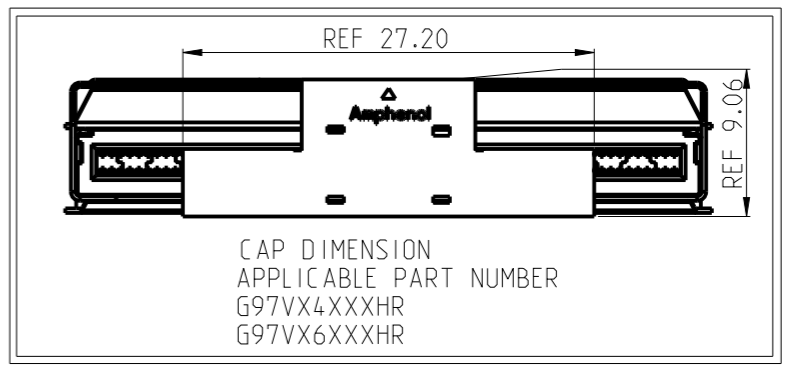
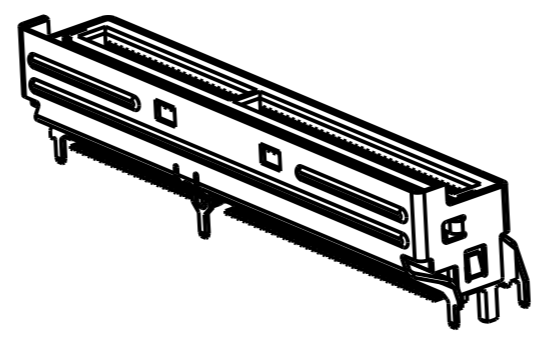
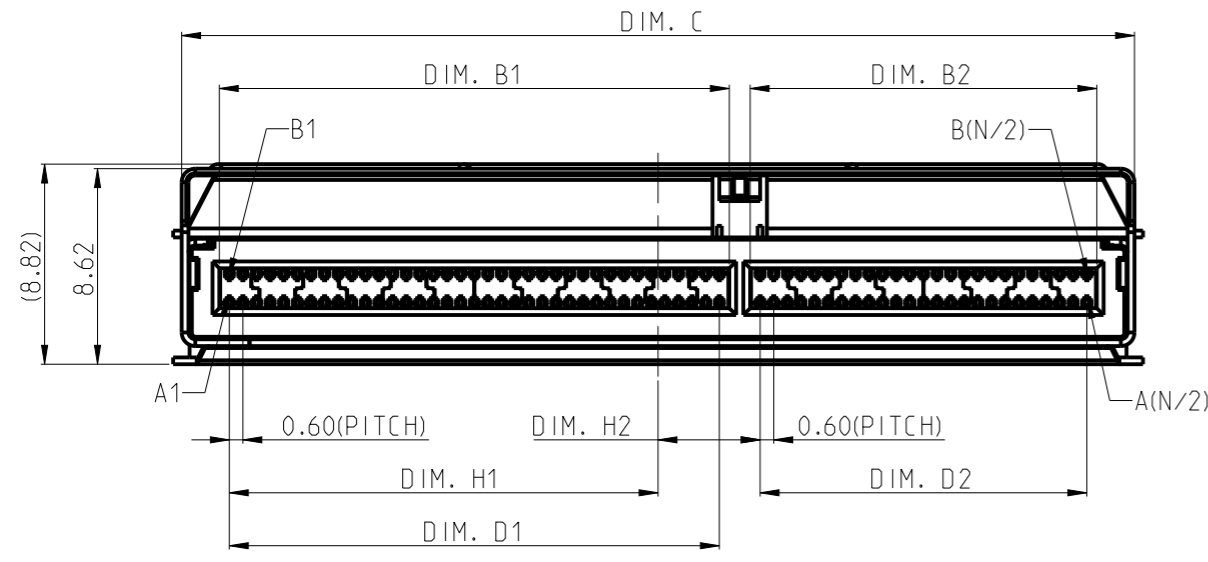
**Amphenol®**  
Amphenol Corporation  
Amphenol Taiwan Corporation

PART No. **G97VXXXXXXHR**  
DWG No. G97VXXXXXXHR  
REV. AX16

This document is the property of Amphenol Corporation and is delivered on the express condition that it is not to be disclosed, reproduced or used, in whole or in part, for manufacture or sale by anyone other than Amphenol Corporation without its prior consent, and that no right is granted to disclose or to use any information in this document.

The marking on this product doesn't contain environmental hazardous materials per Material Specification SS-00259 for Sony GP compliant or per directive 2011/65/EU for RoHS compliant or per IEC 61249-2-21 for Halogen-Free compliant.

REVISIONS				
SYM	ECN No.	DESCRIPTION	DATE	BY
AX13	NA	ADDED NOTE FOR TRACE KEEP OUT AREA	01/31/2020	JOAN LU
AX14	NA	REMOVE UNNECESSARY WORD IN RECOMMENDED PCB LAYOUT	03/11/2020	JOAN LU
AX15	NA	ADDED SPEC OF 50 POS	04/08/2020	JOAN LU
AX16	NA	MODIFY DRAWING	09/11/2020	JOAN LU



PART NUMBER	POS. (N)	DIM. B1	DIM. B2	DIM. C	DIM. D1	DIM. D2	DIM. E	DIM. F	DIM. G	DIM. H1	DIM. H2	DIM. J
G97VX4XXXHR	124	22.48	15.28	42.00	21.60	14.40	40.50	42.15	41.15	18.90	4.50	23.85
G97VX6XXXHR	148	22.48	22.48	49.20	21.60	21.60	47.70	49.35	48.35	22.50	0.90	23.85

TOLERANCE X. X.X ±0.30 X.XX ±0.20 X.XXX ±0.10 ANGULAR ±2° UNLESS OTHERWISE SPECIFIED	DRAWN	APPROVALS	DATE	TITLE MINI COOL EDGE IO INTEGRATED CONNECTOR 0.6 PITCH, VERTICAL FOR PCIE. SMT TYPE	UNIT mm SCALE NA	SIZE A3 SHEET 3 OF 12	PART No. <b>G97VXXXXXXHR</b>		
	DESIGNED	Joan Lu	09/11/2020				DWG No.	G97VXXXXXXHR	REV. AX16
	CHECKED	Sondra Sang	09/11/2020						
	APPROVED	Hank Hsu	09/11/2020						
	DWG TYPE	CUST DWG	PROJECT CODE	TXXX					

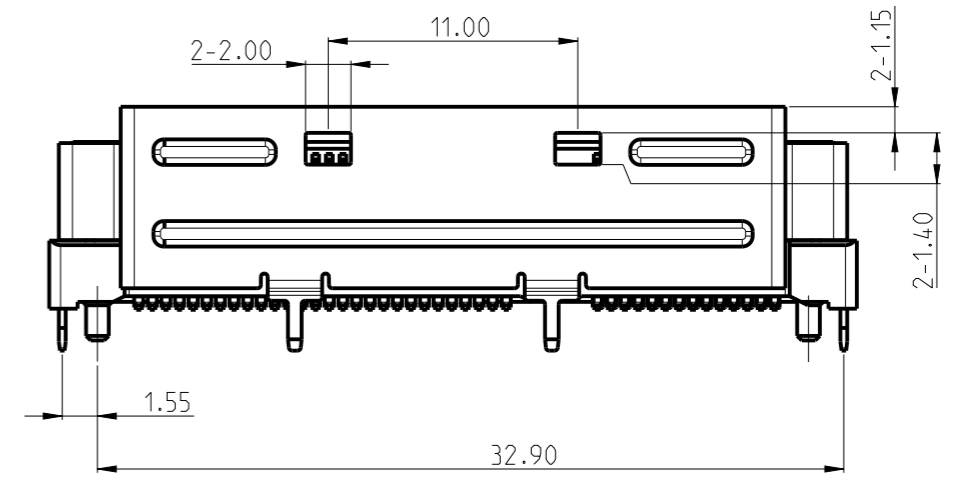
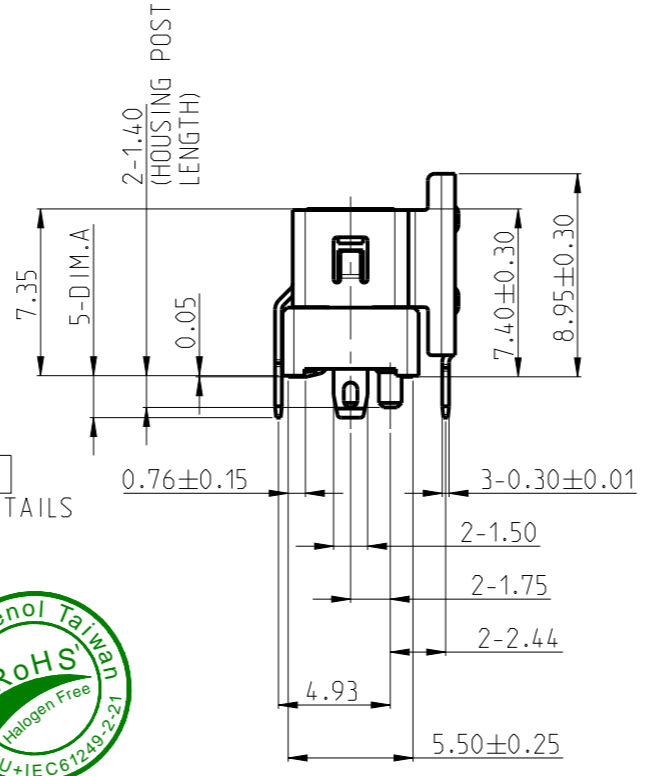
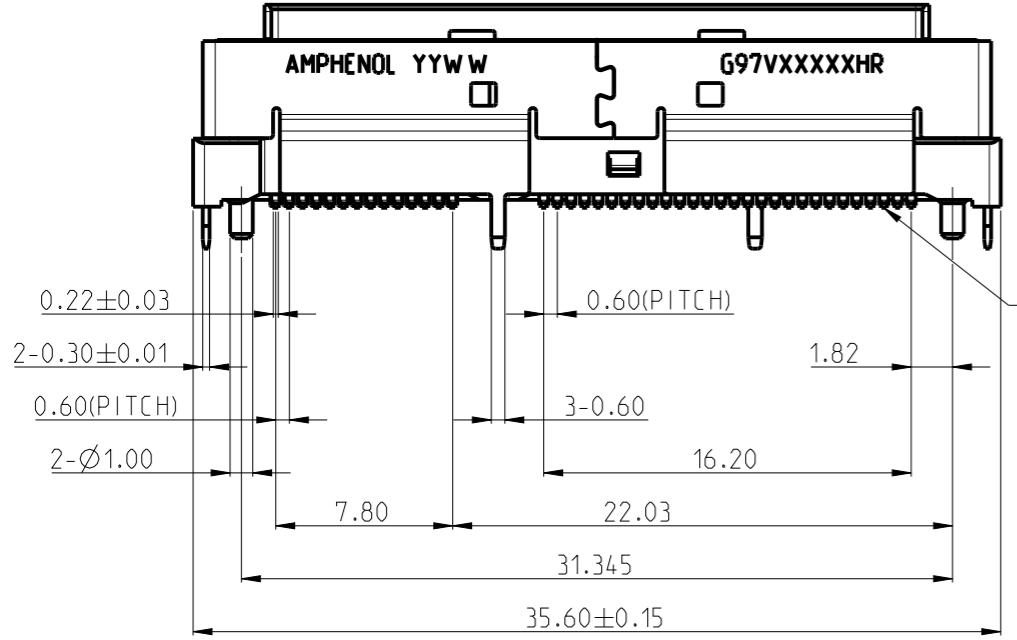
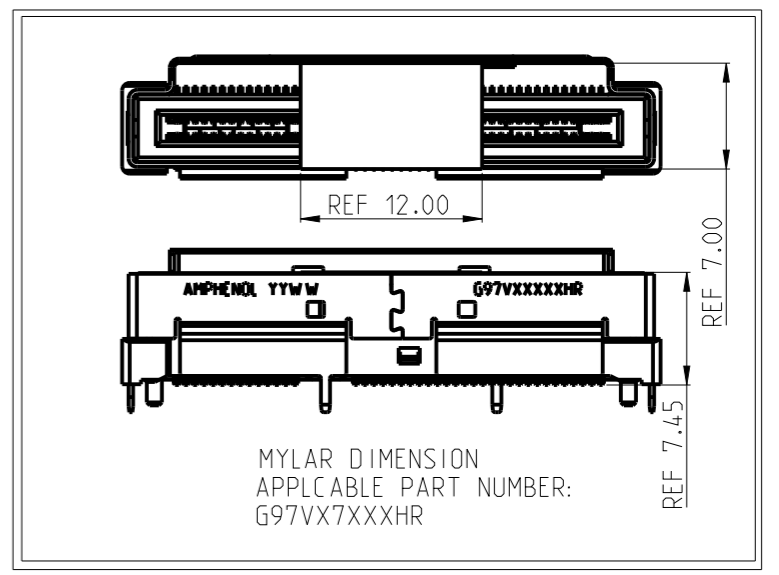
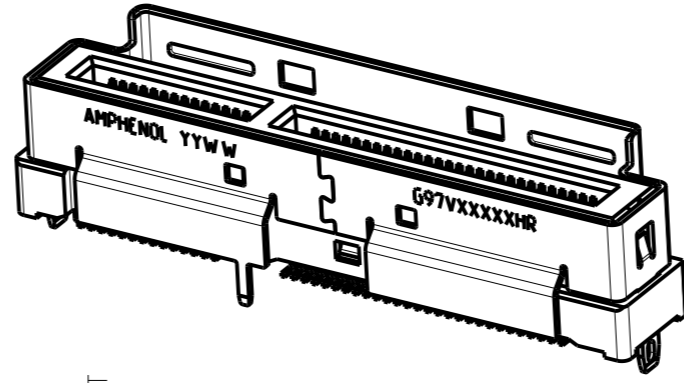
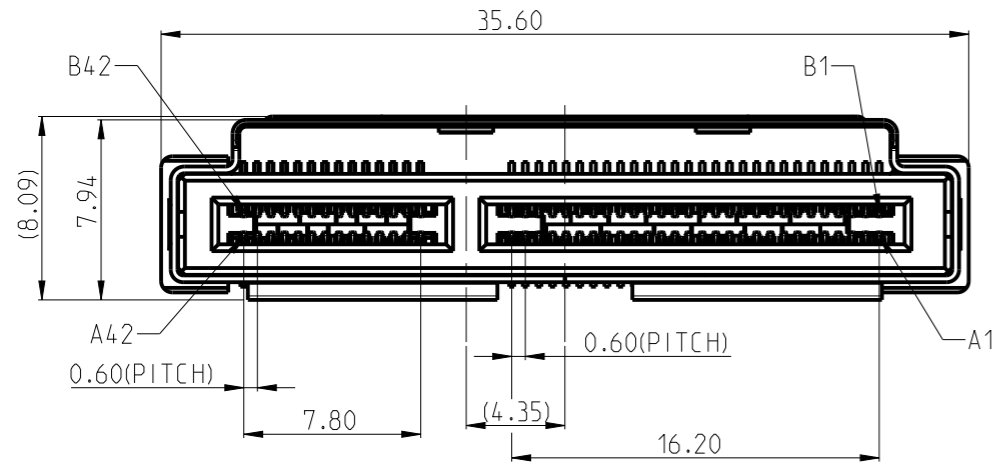
**Amphenol®**  
Amphenol Corporation  
Amphenol Taiwan Corporation

This document is the property of Amphenol Corporation and is delivered on the express condition that is not to be disclosed, reproduced or used, in whole or in part, for manufacture or sale by anyone other than Amphenol Corporation without its prior consent, and that no right is granted to disclose or to use any information in this document.

The marking on this product doesn't contain environmental hazardous materials per Material Specification SS-00259 for Sony GP compliant or per directive 2011/65/EU for RoHS compliant or per IEC 61249-2-21 for Halogen-Free compliant.

REVISIONS				
SYM	ECN No.	DESCRIPTION	DATE	BY
AX13	NA	ADDED NOTE FOR TRACE KEEP OUT AREA	01/31/2020	JOAN LU
AX14	NA	REMOVE UNNECESSARY WORD IN RECOMMENDED PCB LAYOUT	03/11/2020	JOAN LU
AX15	NA	ADDED SPEC OF 50 POS	04/08/2020	JOAN LU
AX16	NA	MODIFY DRAWING	09/11/2020	JOAN LU

# G97VX7XXXXHR



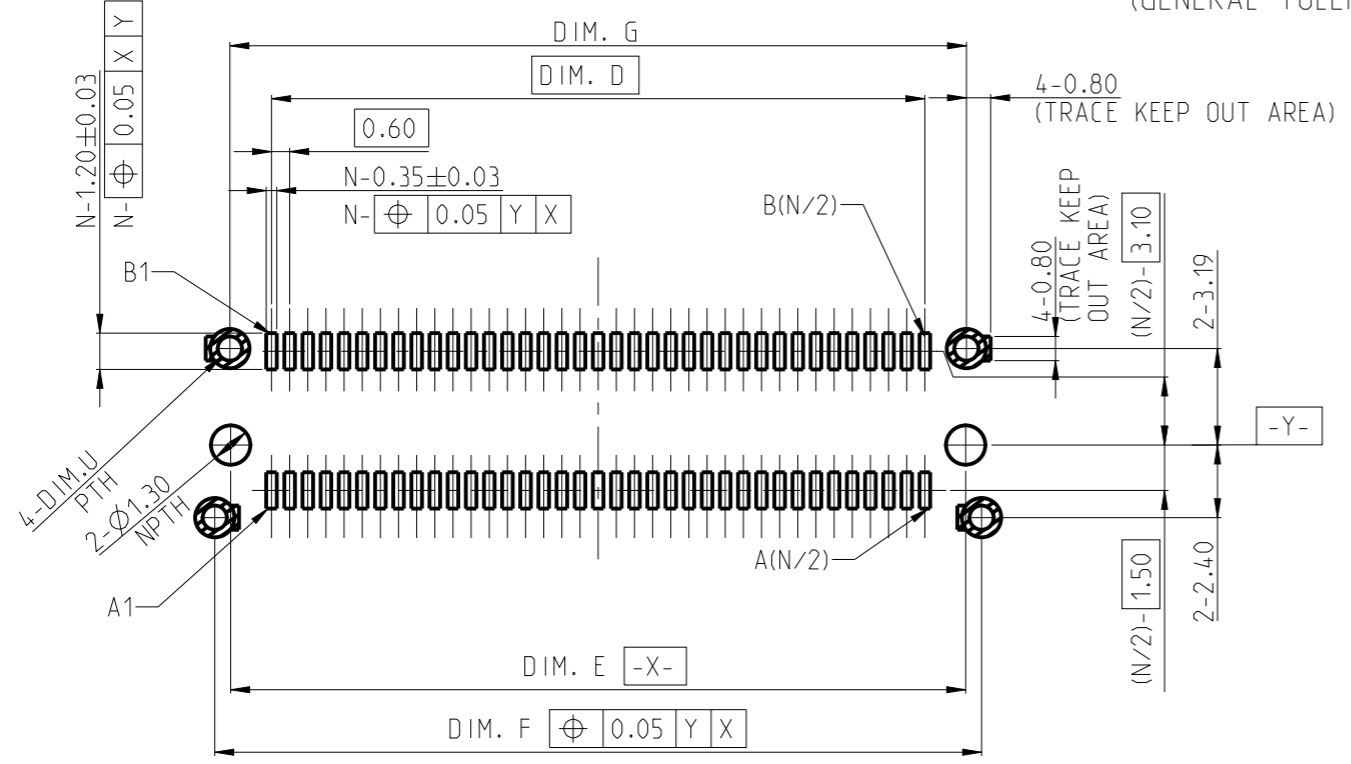
TOLERANCE	DRAWN APPROVALS	DATE	TITLE	Amphenol® Amphenol Corporation Amphenol Taiwan Corporation	
X. ±0.30	DESIGNED Joan Lu	09/11/2020	MINI COOL EDGE IO INTEGRATED CONNECTOR 0.6 PITCH, VERTICAL FOR PCIE. SMT TYPE	UNIT	SIZE
X.X ±0.20	CHECKED Sondra Sang	09/11/2020		mm	A3
X.XX ±0.10	APPROVED Hank Hsu	09/11/2020	SCALE	SHEET	PART No.
ANGULAR ±2°	DWG TYPE CUST DWG	PROJECT CODE TXXX	NA	4 OF 12	G97VXXXXHR
UNLESS OTHERWISE SPECIFIED					REV. AX16

This document is the property of Amphenol Corporation and is delivered on the express condition that is not to be disclosed, reproduced or used, in whole or in part, for manufacture or sale by anyone other than Amphenol Corporation without its prior consent, and that no right is granted to disclose or to use any information in this document.

The marking on this product doesn't contain environmental hazardous materials per Material Specification SS-00259 for Sony GP compliant or per directive 2011/65/EU for RoHS compliant or per IEC 61249-2-21 for Halogen-Free compliant.

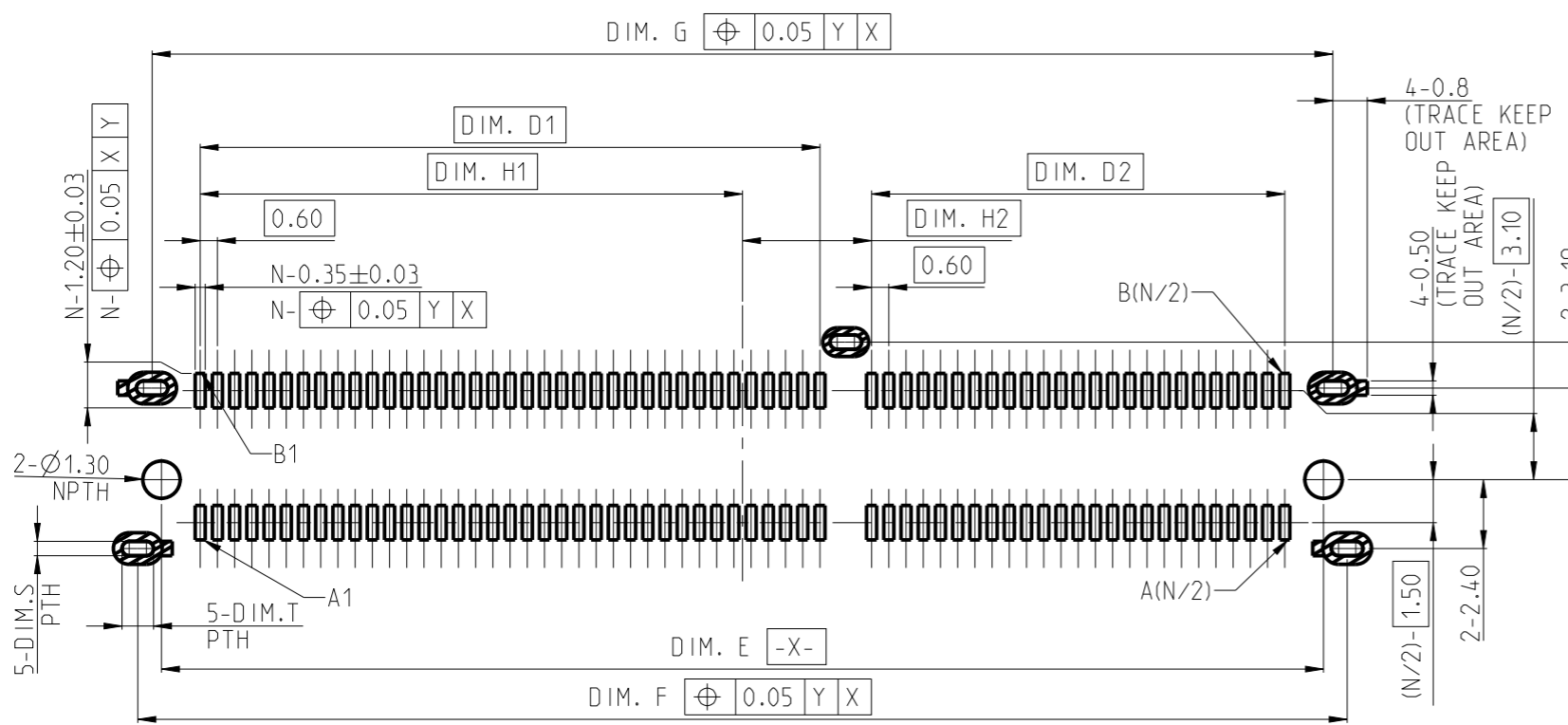
REVISIONS				
SYM	ECN No.	DESCRIPTION	DATE	BY
AX13	NA	ADDED NOTE FOR TRACE KEEP OUT AREA	01/31/2020	JOAN LU
AX14	NA	REMOVE UNNECESSARY WORD IN RECOMMENDED PCB LAYOUT	03/11/2020	JOAN LU
AX15	NA	ADDED SPEC OF 50 POS	04/08/2020	JOAN LU
AX16	NA	MODIFY DRAWING	09/11/2020	JOAN LU

RECOMMENDED PCB LAYOUT  
(GENERAL TOLERANCES :+/-0.05)



PART NUMBER	POS. (N)	DIM. D	DIM. E	DIM. F	DIM. G
G97VX1XXXXHR	38	10.80	13.50	14.55	13.55
G97VX5XXXXHR	50	14.40	17.10	18.15	17.15
G97VX2XXXXHR	74	21.60	24.30	25.35	24.35

PART NUMBER (APPLY TO 38P/74P)	DIM. U
G97VXXXX1XHR	0.8
G97VXXXX2XHR	
G97VXXXX3XHR	
G97VXXXX4XHR	0.95



PART NUMBER	POS. (N)	DIM. D1	DIM. D2	DIM. E	DIM. F	DIM. G	DIM. H1	DIM. H2
G97VX4XXXXHR	124	21.60	14.40	40.50	42.15	41.15	18.90	4.50
G97VX6XXXXHR	148	21.60	21.60	47.70	49.35	48.35	22.50	0.90

PART NUMBER	POS. (N)	DIM. S	DIM. T
G97VX4XX1XHR	124	0.5	1.1
G97VX4XX2XHR			
G97VX4XX3XHR			
G97VX4XX4XHR	148	0.65	1.3
G97VX6XXXXHR			



TOLERANCE	DESIGNED	DATE	TITLE
X. ±0.30	APPROVALS	09/11/2020	MINI COOL EDGE IO INTEGRATED CONNECTOR 0.6 PITCH, VERTICAL FOR PCIE. SMT TYPE
X.X ±0.20	Joan Lu	09/11/2020	
X.XX ±0.20	CHECKED	09/11/2020	
X.XXX ±0.10	Sondra Sang	09/11/2020	
ANGULAR ±2°	APPROVED	09/11/2020	
UNLESS OTHERWISE SPECIFIED	Hank Hsu	09/11/2020	
	DWG TYPE	PROJECT CODE	
	CUST DWG	T631	

UNIT: mm, SIZE: A3, SCALE: NA, SHEET: 5 OF 12

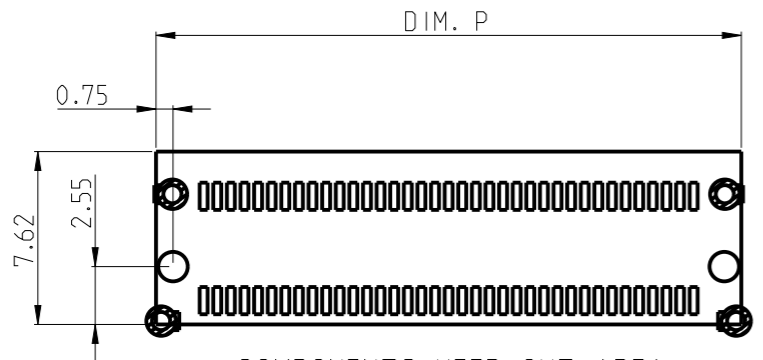
**Amphenol®**  
Amphenol Corporation  
Amphenol Taiwan Corporation

PART No. G97VXXXXXHR  
DWG No. G97VXXXXXHR  
REV. AX16

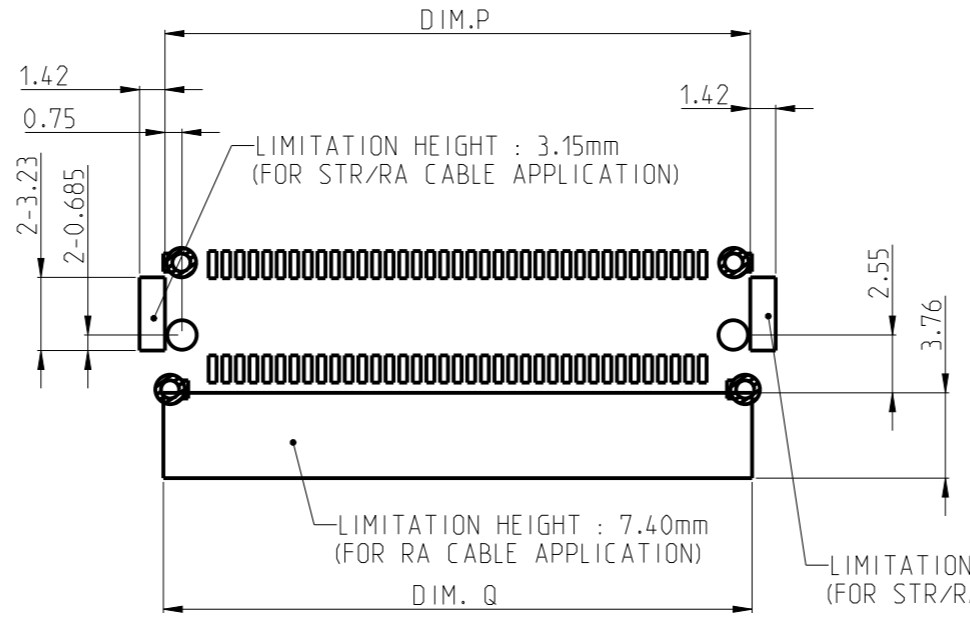
This document is the property of Amphenol Corporation and is delivered on the express condition that is not to be disclosed, reproduced or used, in whole or in part, for manufacture or sale by anyone other than Amphenol Corporation without its prior consent, and that no right is granted to disclose or to use any information in this document.

The marking on this product doesn't contain environmental hazardous materials per Material Specification SS-00259 for Sony GP compliant or per directive 2011/65/EU for RoHS compliant or per IEC 61249-2-21 for Halogen-Free compliant.

REVISIONS				
SYM	ECN No.	DESCRIPTION	DATE	BY
AX13	NA	ADDED NOTE FOR TRACE KEEP OUT AREA	01/31/2020	JOAN LU
AX14	NA	REMOVE UNNECESSARY WORD IN RECOMMENDED PCB LAYOUT	03/11/2020	JOAN LU
AX15	NA	ADDED SPEC OF 50 POS	04/08/2020	JOAN LU
AX16	NA	MODIFY DRAWING	09/11/2020	JOAN LU

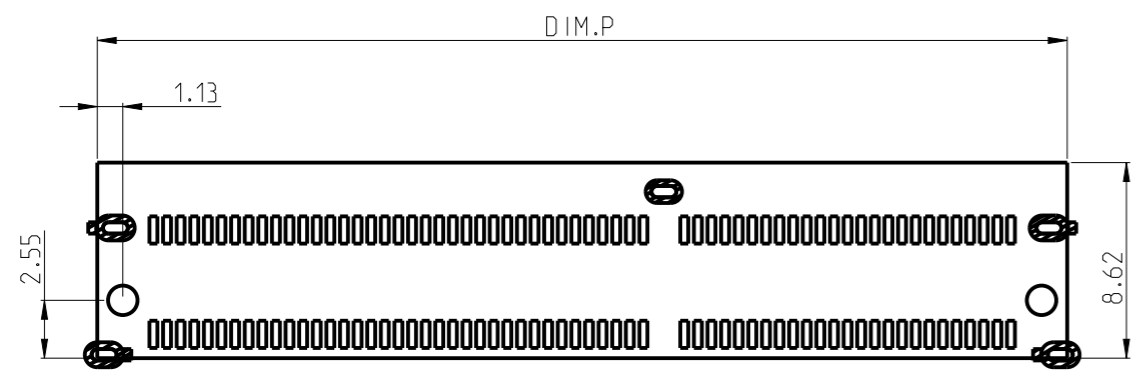


COMPONENTS KEEP OUT AREA  
LIMITATION HEIGHT: 0mm

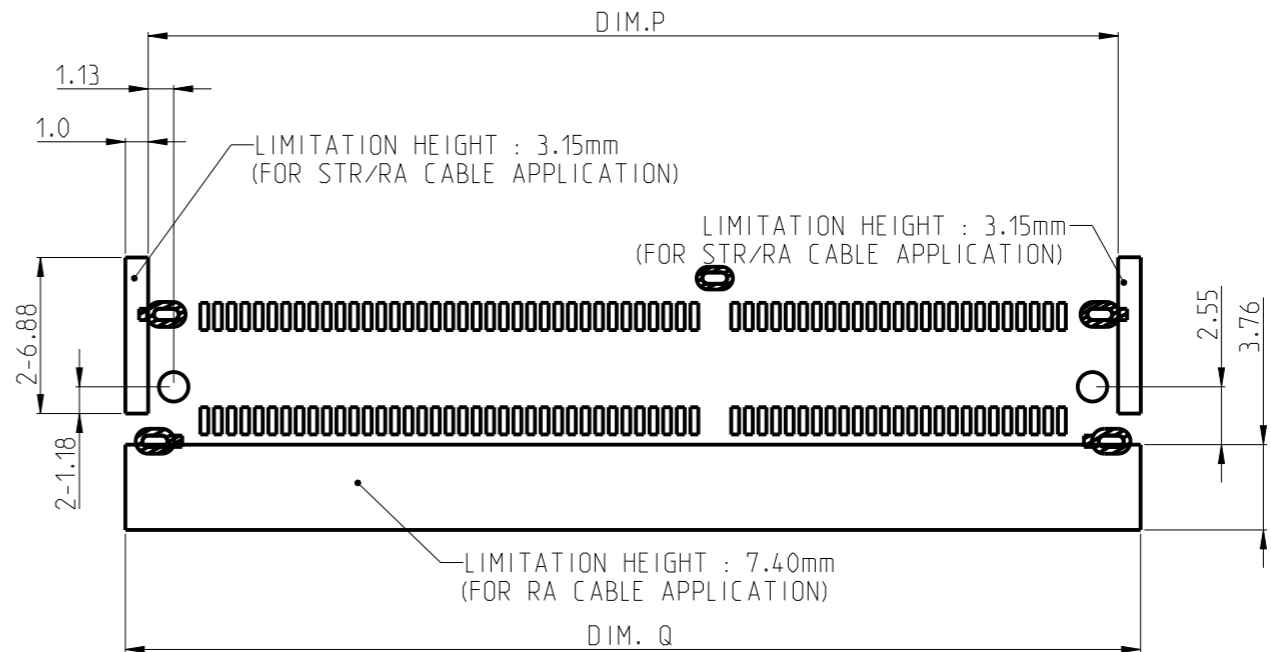


COMPONENTS KEEP OUT AREA

PART NUMBER	POS. (N)	DIM. P	DIM. Q
G97VX1XXXXHR	38	15.00	15.15
G97VX5XXXXHR	50	18.60	18.75
G97VX2XXXXHR	74	25.80	25.95



COMPONENTS KEEP OUT AREA  
LIMITATION HEIGHT: 0mm



COMPONENTS KEEP OUT AREA

PART NUMBER	POS. (N)	DIM. P	DIM. Q
G97VX4XXXXHR	124	42.75	44.75
G97VX6XXXXHR	148	49.95	51.95



TOLERANCE	DRAWN APPROVALS	DATE	TITLE	Amphenol®	
X. X.X ±0.30 X.XX ±0.20 X.XXX ±0.10	DESIGNED <b>Joan Lu</b>	09/11/2020	MINI COOL EDGE IO INTEGRATED CONNECTOR 0.6 PITCH, VERTICAL FOR PCIE. SMT TYPE	Amphenol Corporation Amphenol Taiwan Corporation	
ANGULAR ±2°	CHECKED <b>Sondra Sang</b>	09/11/2020			
UNLESS OTHERWISE SPECIFIED	APPROVED <b>Hank Hsu</b>	09/11/2020			
	DWG TYPE CUST DWG	PROJECT CODE T631	UNIT mm	SIZE A3	PART No. <b>G97VXXXXXHR</b>
			SCALE NA	SHEET 6 OF 12	DWG No. G97VXXXXXHR
					REV. AX16

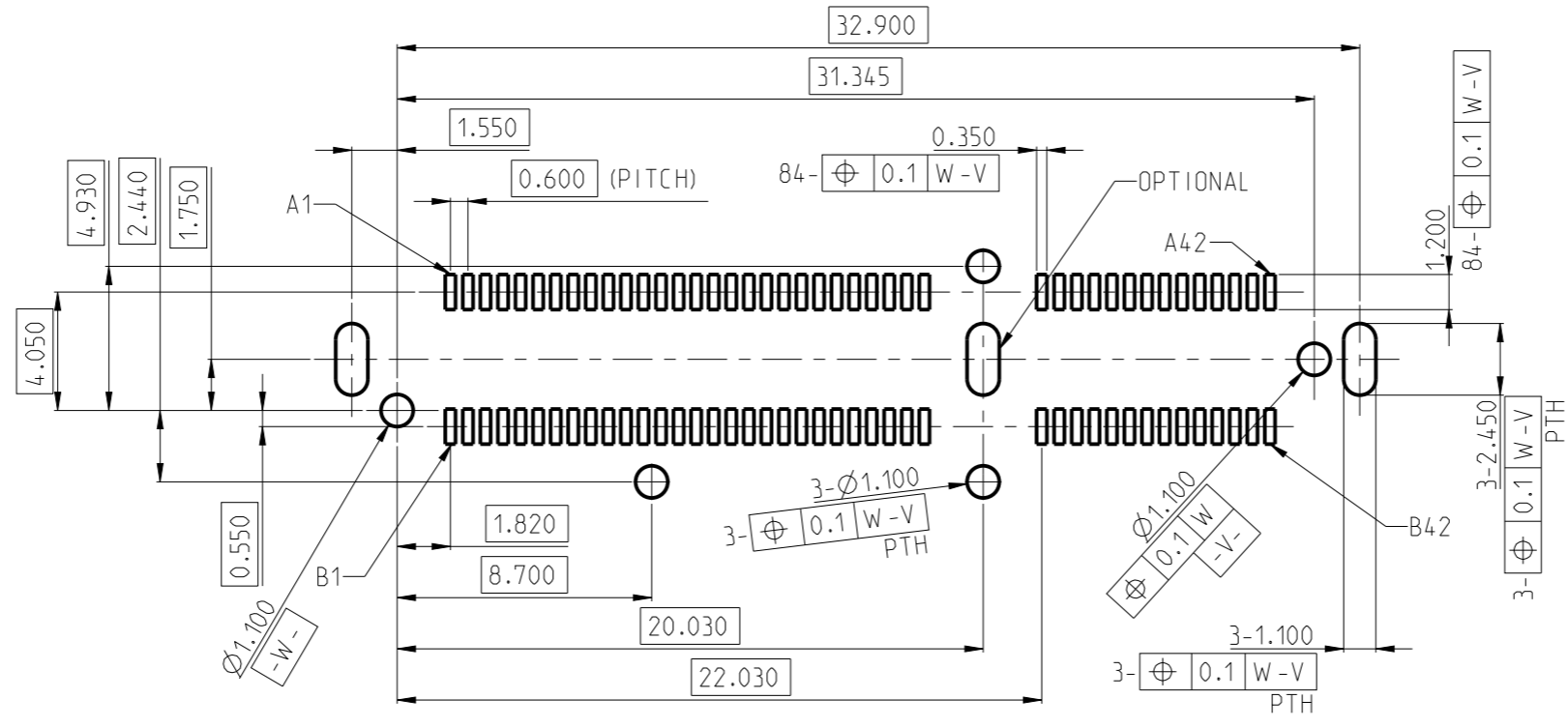


This document is the property of Amphenol Corporation and is delivered on the express condition that is not to be disclosed, reproduced or used, in whole or in part, for manufacture or sale by anyone other than Amphenol Corporation without its prior consent, and that no right is granted to disclose or to use any information in this document.

The marking on this product doesn't contain environmental hazardous materials per Material Specification SS-00259 for Sony GP compliant or per directive 2011/65/EU for RoHS compliant or per IEC 61249-2-21 for Halogen-Free compliant.

REVISIONS				
SYM	ECN No.	DESCRIPTION	DATE	BY
AX13	NA	ADDED NOTE FOR TRACE KEEP OUT AREA	01/31/2020	JOAN LU
AX14	NA	REMOVE UNNECESSARY WORD IN RECOMMENDED PCB LAYOUT	03/11/2020	JOAN LU
AX15	NA	ADDED SPEC OF 50 POS	04/08/2020	JOAN LU
AX16	NA	MODIFY DRAWING	09/11/2020	JOAN LU

RECOMMENDED PCB LAYOUT  
(GENERAL TOLERANCES :+/-0.05)  
G97VX7XXXXHR



RECOMMENDED PCB LAYOUT  
(GENERAL TOLERANCES :+/-0.05)



TOLERANCE	DRAWN	APPROVALS	DATE	TITLE	UNIT	SIZE	PART No.	
X.	DESIGNED	Joan Lu	09/11/2020	MINI COOL EDGE IO INTEGRATED CONNECTOR 0.6 PITCH, VERTICAL FOR PCIE. SMT TYPE	mm	A3	G97VXXXXXHR	
X.X ±0.30	CHECKED	Sondra Sang	09/11/2020					
X.XX ±0.20	APPROVED	Hank Hsu	09/11/2020					
X.XXX ±0.10	DWG TYPE	CUST DWG	PROJECT CODE TXXX					
ANGULAR ±2°					SCALE	SHEET	DWG No.	
UNLESS OTHERWISE SPECIFIED					NA	7 OF 12	G97VXXXXXHR	
							REV.	AX16

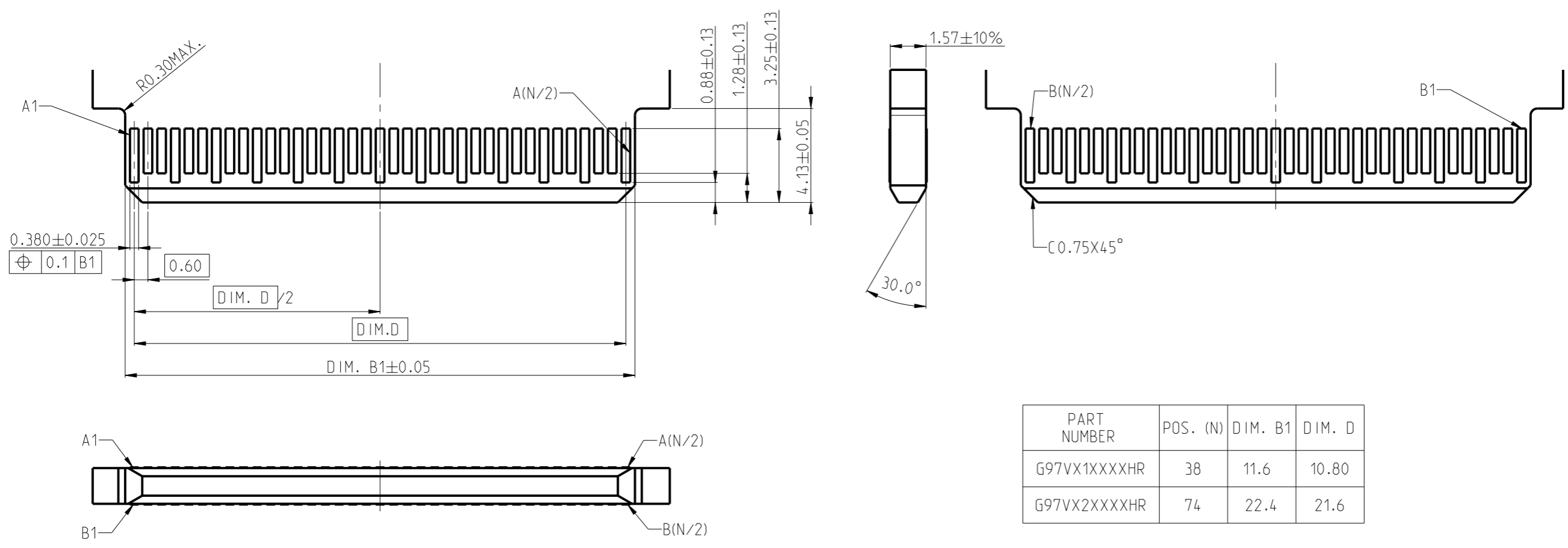
**Amphenol®**  
Amphenol Corporation  
Amphenol Taiwan Corporation

This document is the property of Amphenol Corporation and is delivered on the express condition that is not to be disclosed, reproduced or used, in whole or in part, for manufacture or sale by anyone other than Amphenol Corporation without its prior consent, and that no right is granted to disclose or to use any information in this document.

The marking on this product doesn't contain environmental hazardous materials per Material Specification SS-00259 for Sony GP compliant or per directive 2011/65/EU for RoHS compliant or per IEC 61249-2-21 for Halogen-Free compliant.

REVISIONS				
SYM	ECN No.	DESCRIPTION	DATE	BY
AX13	NA	ADDED NOTE FOR TRACE KEEP OUT AREA	01/31/2020	JOAN LU
AX14	NA	REMOVE UNNECESSARY WORD IN RECOMMENDED PCB LAYOUT	03/11/2020	JOAN LU
AX15	NA	ADDED SPEC OF 50 POS	04/08/2020	JOAN LU
AX16	NA	MODIFY DRAWING	09/11/2020	JOAN LU

RECOMMENDED AIC MATING CARD DIMENSIONS



PART NUMBER	POS. (N)	DIM. B1	DIM. D
G97VX1XXXXHR	38	11.6	10.80
G97VX2XXXXHR	74	22.4	21.6



<p>TOLERANCE</p> <p>X. ±0.30</p> <p>X.X ±0.20</p> <p>X.XX ±0.10</p> <p>ANGULAR ±2°</p> <p>UNLESS OTHERWISE SPECIFIED</p>	<p>DRAWN APPROVALS</p> <p>DESIGNED <b>Joan Lu</b></p> <p>CHECKED <b>Sondra Sang</b></p> <p>APPROVED <b>Hank Hsu</b></p> <p>DWG TYPE <b>CUST DWG</b></p>	<p>DATE</p> <p><b>09/11/2020</b></p> <p><b>09/11/2020</b></p> <p><b>09/11/2020</b></p> <p>PROJECT CODE <b>TXXX</b></p>	<p>TITLE</p> <p>MINI COOL EDGE IO INTEGRATED CONNECTOR 0.6 PITCH, VERTICAL FOR PCIE. SMT TYPE</p>	<p>UNIT mm</p> <p>SCALE NA</p>	<p>SIZE A3</p> <p>SHEET 8 OF 12</p>	<p>PART No. <b>G97VXXXXXHR</b></p> <p>DWG No. <b>G97VXXXXXHR</b></p>	<p>REV. <b>AX16</b></p>	
	<p>Amphenol®</p> <p>Amphenol Corporation</p> <p>Amphenol Taiwan Corporation</p>							

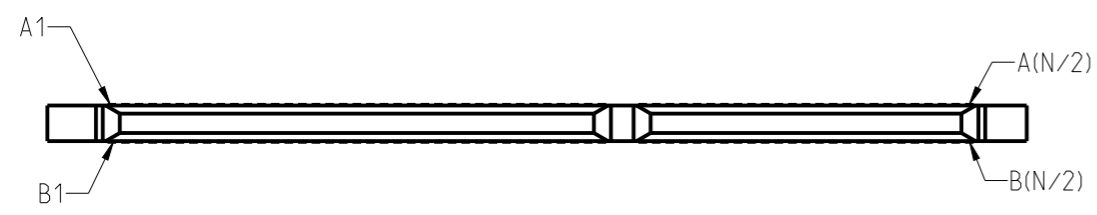
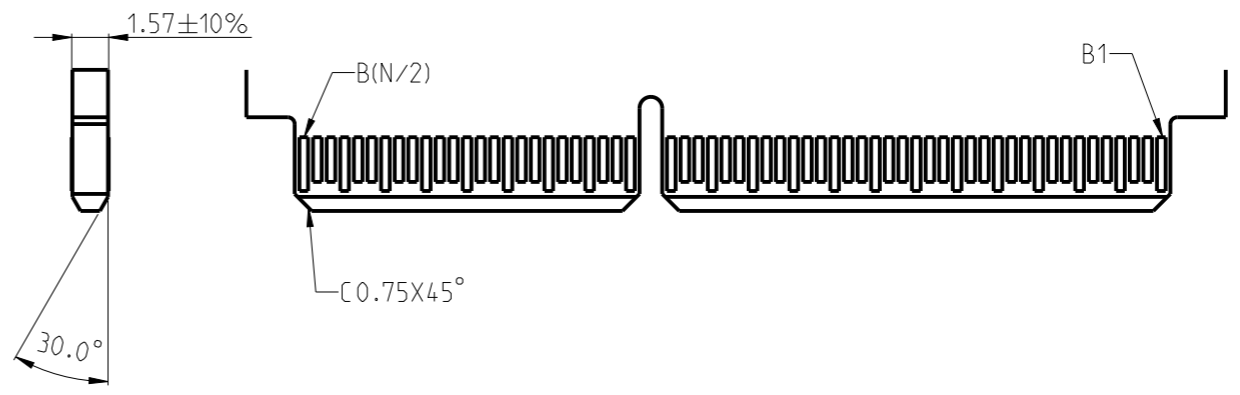
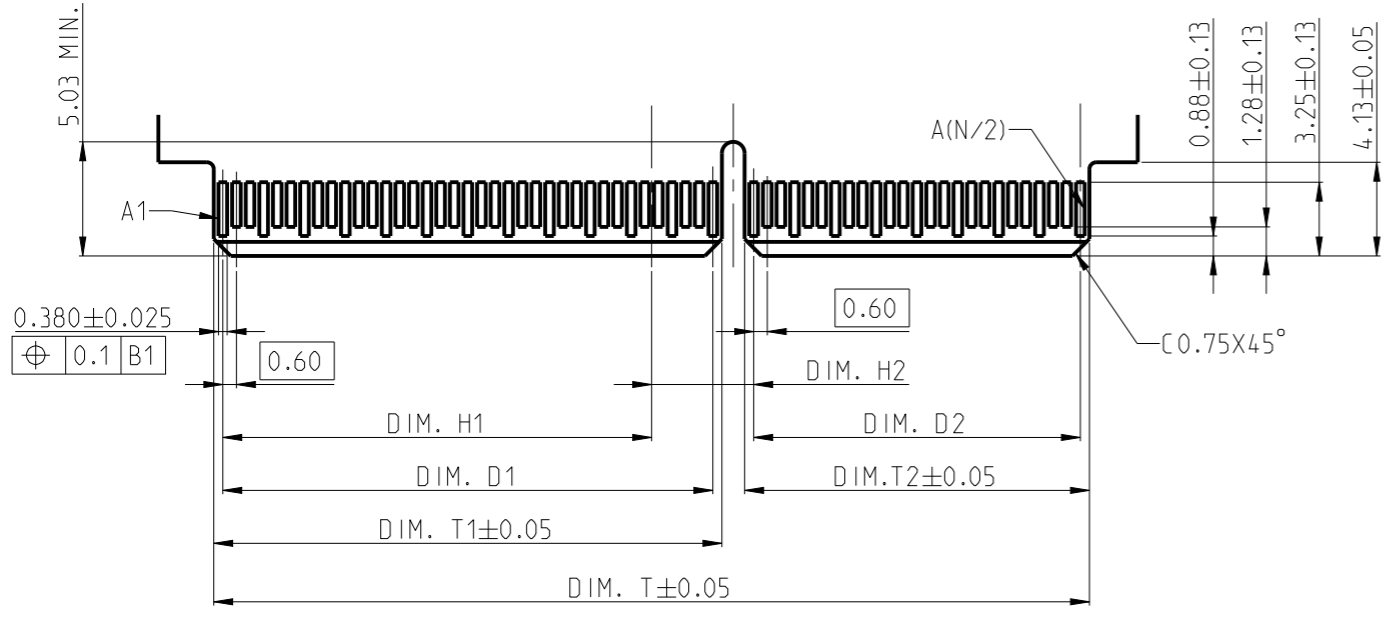


This document is the property of Amphenol Corporation and is delivered on the express condition that is not to be disclosed, reproduced or used, in whole or in part, for manufacture or sale by anyone other than Amphenol Corporation without its prior consent, and that no right is granted to disclose or to use any information in this document.

The marking on this product doesn't contain environmental hazardous materials per Material Specification SS-00259 for Sony GP compliant or per directive 2011/65/EU for RoHS compliant or per IEC 61249-2-21 for Halogen-Free compliant.

REVISIONS				
SYM	ECN No.	DESCRIPTION	DATE	BY
AX13	NA	ADDED NOTE FOR TRACE KEEP OUT AREA	01/31/2020	JOAN LU
AX14	NA	REMOVE UNNECESSARY WORD IN RECOMMENDED PCB LAYOUT	03/11/2020	JOAN LU
AX15	NA	ADDED SPEC OF 50 POS	04/08/2020	JOAN LU
AX16	NA	MODIFY DRAWING	09/11/2020	JOAN LU

RECOMMENDED AIC MATING CARD DIMENSIONS



PART NUMBER	POS. (N)	DIM. D1	DIM. D2	DIM. H1	DIM. H2	DIM. T	DIM. T1	DIM. T2
G97VX4XXXXHR	124	21.60	14.40	18.90	4.50	38.6	22.4	15.2
G97VX6XXXXHR	148	21.60	21.60	22.50	0.90	45.8	22.4	22.4



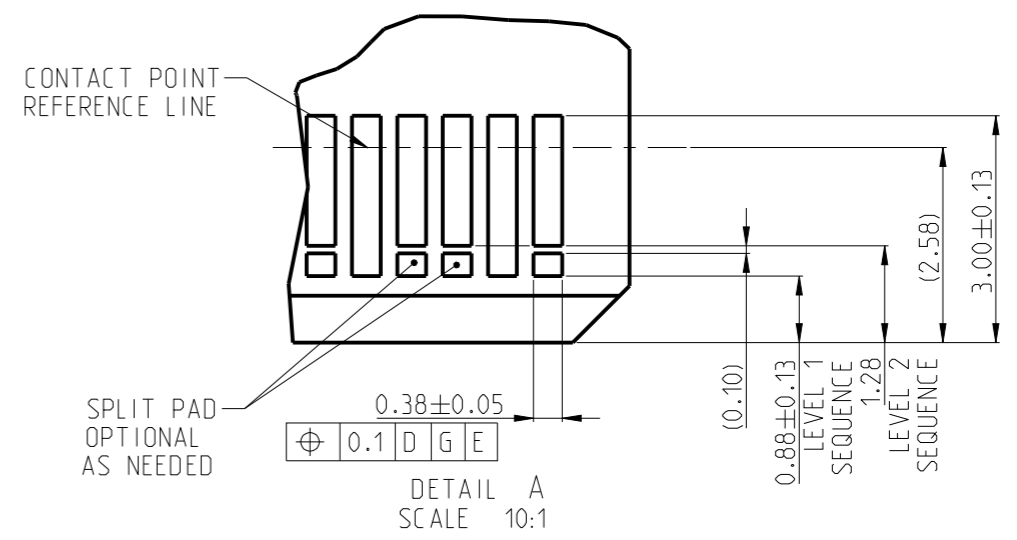
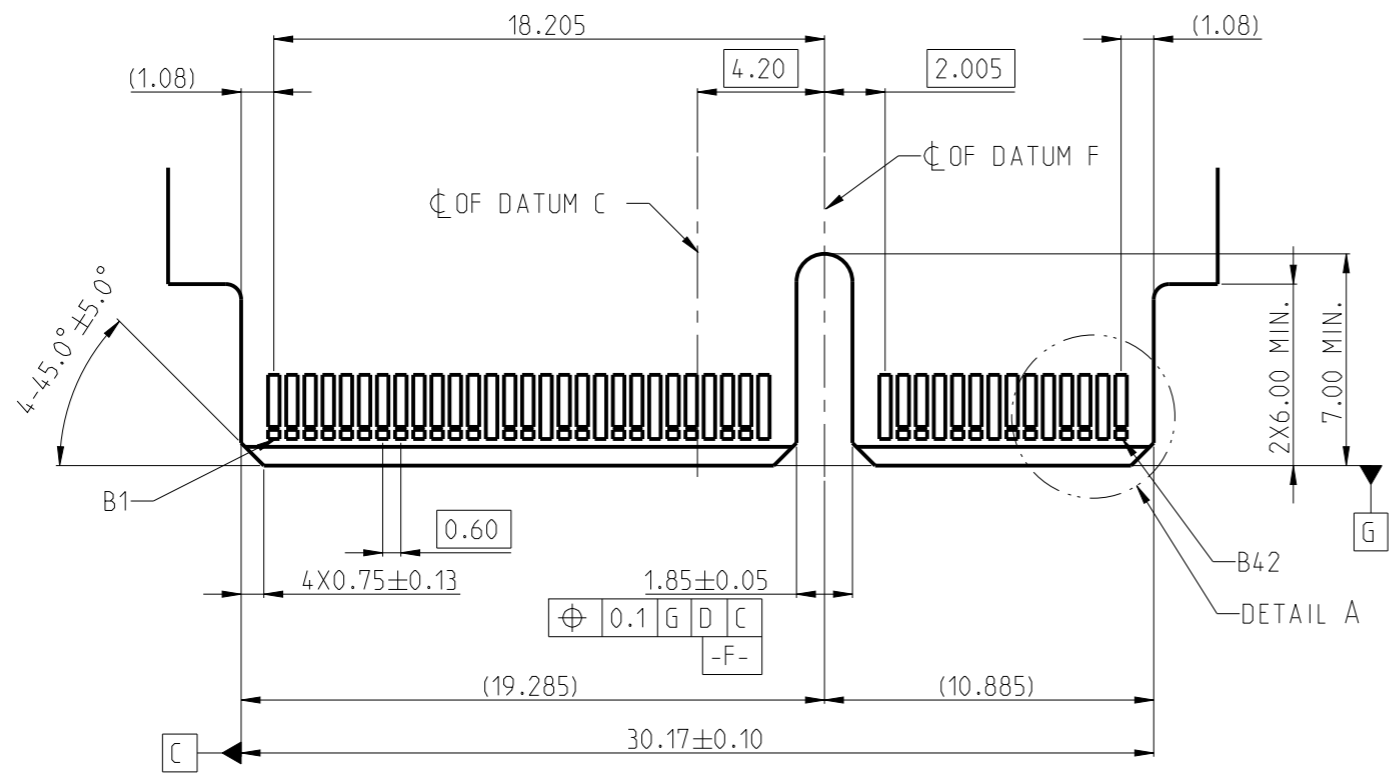
TOLERANCE	DRAWN APPROVALS	DATE	TITLE	Amphenol®	
X. X.X ±0.30 X.XX ±0.20 X.XXX ±0.10	DESIGNED <b>Joan Lu</b>	09/11/2020	MINI COOL EDGE IO INTEGRATED CONNECTOR 0.6 PITCH, VERTICAL FOR PCIE. SMT TYPE	Amphenol Corporation Amphenol Taiwan Corporation	
ANGULAR ±2°	CHECKED <b>Sondra Sang</b>	09/11/2020		UNIT mm	SIZE A3
UNLESS OTHERWISE SPECIFIED	APPROVED <b>Hank Hsu</b>	09/11/2020		SCALE NA	SHEET 9 OF 12
	DWG TYPE CUST DWG	PROJECT CODE TXXX			DWG No. G97VXXXXXHR
					REV. AX16

This document is the property of Amphenol Corporation and is delivered on the express condition that is not to be disclosed, reproduced or used, in whole or in part, for manufacture or sale by anyone other than Amphenol Corporation without its prior consent, and that no right is granted to disclose or to use any information in this document.

The marking on this product doesn't contain environmental hazardous materials per Material Specification SS-00259 for Sony GP compliant or per directive 2011/65/EU for RoHS compliant or per IEC 61249-2-21 for Halogen-Free compliant.

REVISIONS				
SYM	ECN No.	DESCRIPTION	DATE	BY
AX13	NA	ADDED NOTE FOR TRACE KEEP OUT AREA	01/31/2020	JOAN LU
AX14	NA	REMOVE UNNECESSARY WORD IN RECOMMENDED PCB LAYOUT	03/11/2020	JOAN LU
AX15	NA	ADDED SPEC OF 50 POS	04/08/2020	JOAN LU
AX16	NA	MODIFY DRAWING	09/11/2020	JOAN LU

RECOMMENDED AIC MATING CARD DIMENSIONS  
G97VX7XXXXHR



NOTE: POSITION A1 ON OPPOSITE SIDE OF CARD OF B1

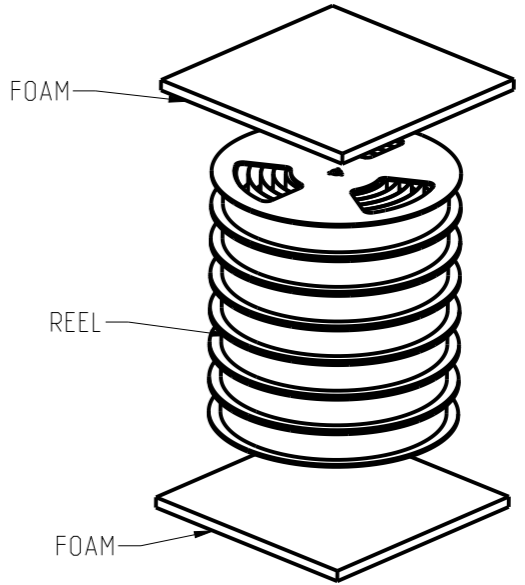
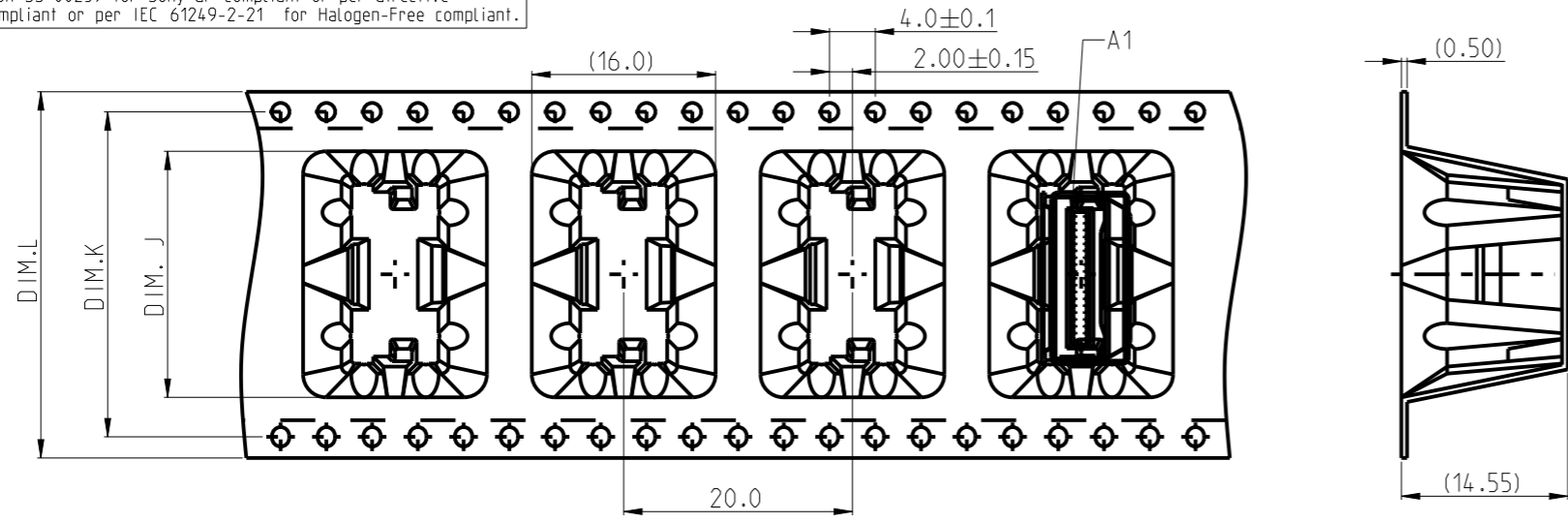


TOLERANCE	DRAWN APPROVALS	DATE	TITLE	Amphenol® Amphenol Corporation Amphenol Taiwan Corporation	
X. X.X ±0.30 X.XX ±0.20 X.XXX ±0.10	DESIGNED <b>Joan Lu</b>	09/11/2020	MINI COOL EDGE IO INTEGRATED CONNECTOR 0.6 PITCH, VERTICAL FOR PCIE. SMT TYPE	PART No. <b>G97VXXXXXHR</b>	
ANGULAR ±2°	CHECKED <b>Sondra Sang</b>	09/11/2020			
UNLESS OTHERWISE SPECIFIED	APPROVED <b>Hank Hsu</b>	09/11/2020	UNIT mm SCALE NA	SIZE A3 SHEET 10 OF 12	REV. AX16
	DWG TYPE CUST DWG	PROJECT CODE TXXX	DWG No. G97VXXXXXHR		

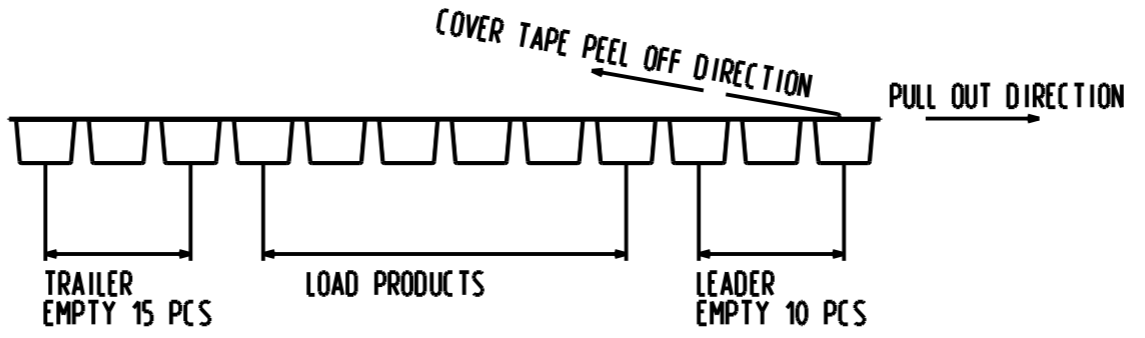
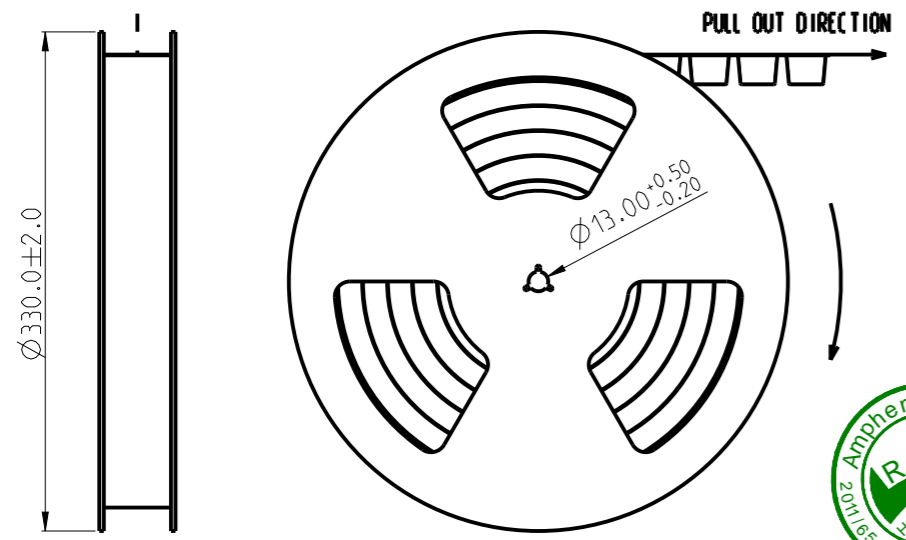
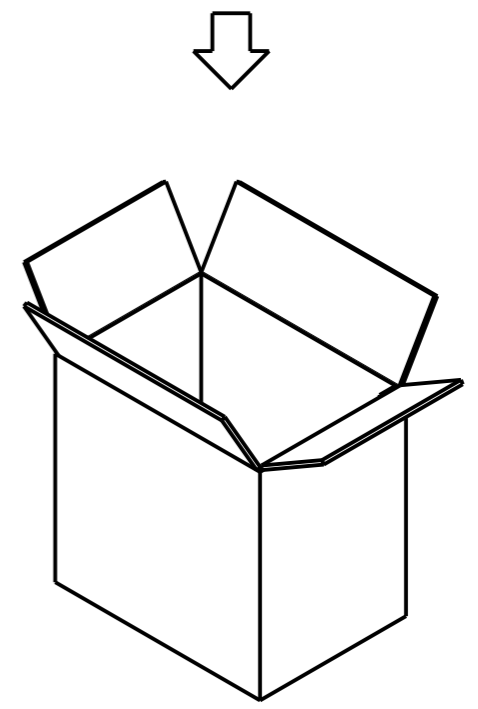
This document is the property of Amphenol Corporation and is delivered on the express condition that is not to be disclosed, reproduced or used, in whole or in part, for manufacture or sale by anyone other than Amphenol Corporation without its prior consent, and that no right is granted to disclose or to use any information in this document.

The marking on this product doesn't contain environmental hazardous materials per Material Specification SS-00259 for Sony GP compliant or per directive 2011/65/EU for RoHS compliant or per IEC 61249-2-21 for Halogen-Free compliant.

REVISIONS				
SYM	ECN No.	DESCRIPTION	DATE	BY
AX13	NA	ADDED NOTE FOR TRACE KEEP OUT AREA	01/31/2020	JOAN LU
AX14	NA	REMOVE UNNECESSARY WORD IN RECOMMENDED PCB LAYOUT	03/11/2020	JOAN LU
AX15	NA	ADDED SPEC OF 50 POS	04/08/2020	JOAN LU
AX16	NA	MODIFY DRAWING	09/11/2020	JOAN LU



PART NUMBER	POS. (N)	DIM. J	DIM. K	DIM. L	REEL (Q'TY)	CARTON (PCS)
G97VX1XXXXHR	38	(21.5)	28.4±0.1	32.0±0.3	7	1400
G97VX5XXXXHR	50	(27.7)	40.4±0.1	44.0±0.3	5	1000
G97VX2XXXXHR	74	(34.0)	52.4±0.1	56.0±0.3	4	800
G97VX4XXXXHR	124	(39.5)	68.40±0.1	72.0±0.3	3	600
G97VX6XXXXHR	148	(57.9)	68.40±0.1	72.0±0.3	3	600



NOTE 2:  
 1. CARTON SIZE 340L X 340W X 265H  
 2. PREFER TO AMTA LABELING STANDARD.  
 3. CARTON CLOSURES MUST BE SEALED WITH TAPE.



NOTE 1:  
 1. MATERIAL:  
 CARRIER TAPE: POLYSTYRENE, BLACK  
 COVER TAPE: TRANSPARENT POLYSTYRENE  
 REEL: POLYSTYRENE, BLACK  
 2. ALL TAPE AND REEL SPECIFICATION FOLLOW EIA-481 STANDARD.  
 3. THIS PRODUCT DOESN'T CONTAIN ENVIRONMENTAL HAZARDOUS PER DIRECTIVE 2002/95/EC FOR RoHS.

TOLERANCE	DRAWN APPROVALS	DATE	TITLE	UNIT	SIZE	PART No.
X. X.X ±0.30 X.XX ±0.20 X.XXX ±0.10	DESIGNED <b>Joan Lu</b>	09/11/2020	MINI COOL EDGE 10 INTEGRATED CONNECTOR 0.6 PITCH, VERTICAL FOR PCIE. SMT TYPE	mm	A3	G97VXXXXXHR
ANGULAR ±2°	CHECKED <b>Sondra Sang</b>	09/11/2020		SCALE NA	SHEET 11 OF 12	DWG No. G97VXXXXXHR
UNLESS OTHERWISE SPECIFIED	APPROVED <b>Hank Hsu</b>	09/11/2020		PROJECT CODE TXXX	REV. AX16	

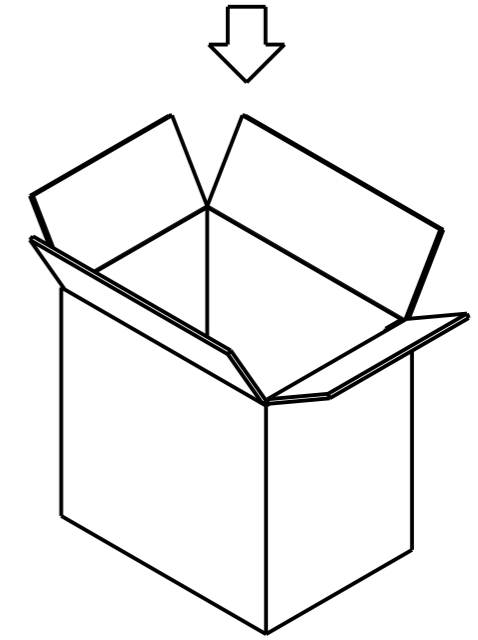
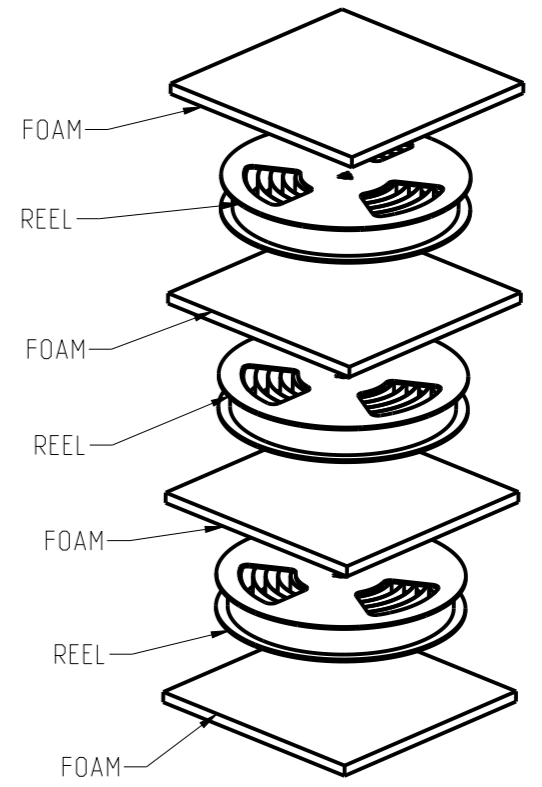
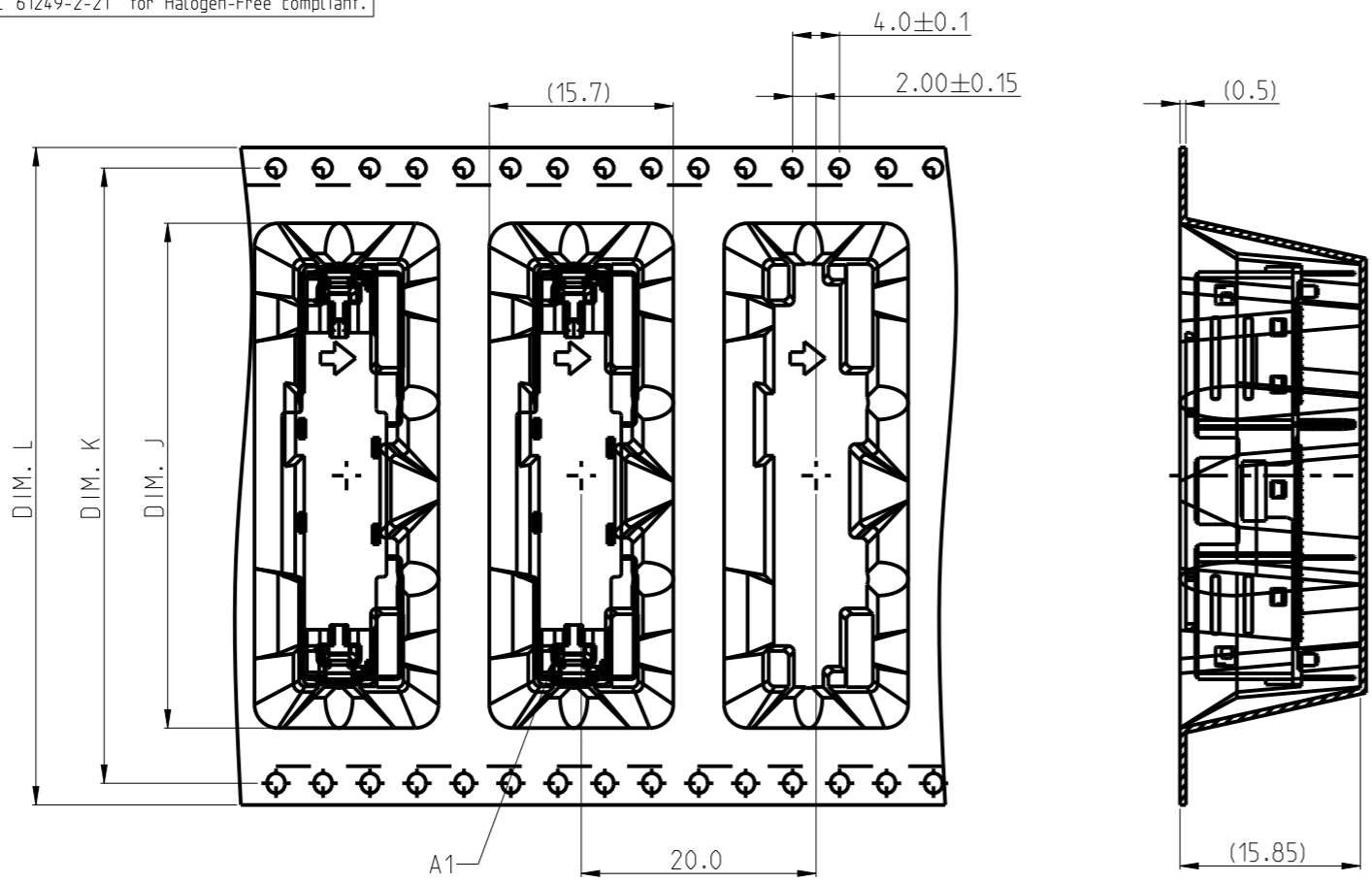
**Amphenol®**  
 Amphenol Corporation  
 Amphenol Taiwan Corporation

This document is the property of Amphenol Corporation and is delivered on the express condition that is not to be disclosed, reproduced or used, in whole or in part, for manufacture or sale by anyone other than Amphenol Corporation without its prior consent, and that no right is granted to disclose or to use any information in this document.

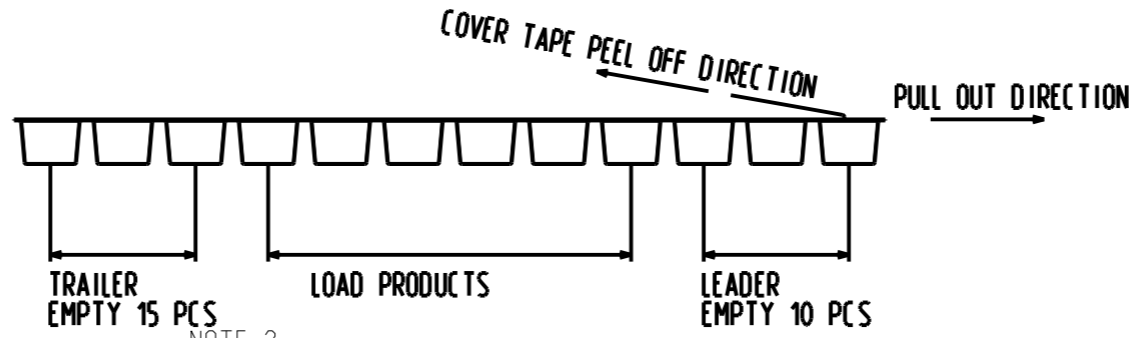
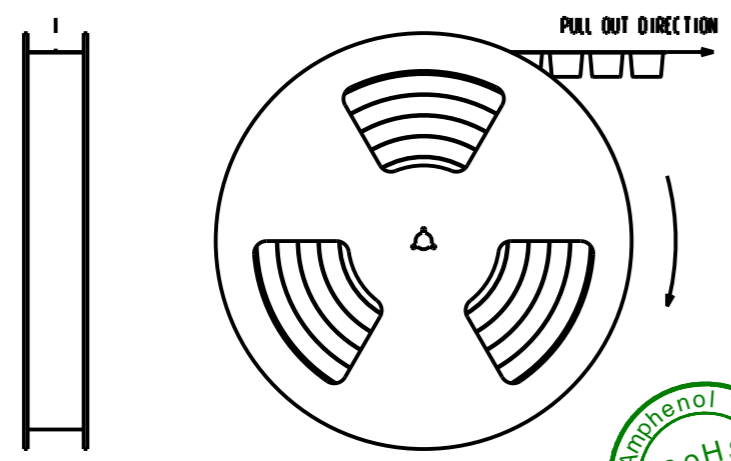
The marking on this product doesn't contain environmental hazardous materials per Material Specification SS-00259 for Sony GP compliant or per directive 2011/65/EU for RoHS compliant or per IEC 61249-2-21 for Halogen-Free compliant.

G97VX7XXXXHR

REVISIONS				
SYM	ECN No.	DESCRIPTION	DATE	BY
AX13	NA	ADDED NOTE FOR TRACE KEEP OUT AREA	01/31/2020	JOAN LU
AX14	NA	REMOVE UNNECESSARY WORD IN RECOMMENDED PCB LAYOUT	03/11/2020	JOAN LU
AX15	NA	ADDED SPEC OF 50 POS	04/08/2020	JOAN LU
AX16	NA	MODIFY DRAWING	09/11/2020	JOAN LU



PART NUMBER	POS. (N)	DIM. J	DIM. K	DIM. L	REEL (Q'TY)	CARTON (PCS)
G97VX7XXXXHR	84	(43)	52.4±0.1	56.0±0.3	3	600



- NOTE 2:
- CARTON SIZE  
340L X 340W X 240H
  - PREFER TO AMTA LABELING STANDARD.
  - CARTON CLOSURES MUST BE SEALED WITH TAPE.

NOTE 1:  
 1.MATERIAL:  
 CARRIER TAPE: POLYSTYRENE, BLACK  
 COVER TAPE: TRANSPARENT POLYSTYRENE  
 REEL: POLYSTYRENE, BLACK  
 2.ALL TAPE AND REEL SPECIFICATION FOLLOW EIA-481 STANDARD.  
 3.THIS PRODUCT DOESN'T CONTAIN ENVIRONMENTAL HAZARDOUS PER DIRECTIVE 2002/95/EC FOR RoHS.

TOLERANCE	APPROVALS	DATE	TITLE		PART No.	
X. X.X ±0.30 X.XX ±0.20 X.XXX ±0.10	DESIGNED <b>Joan Lu</b>	09/11/2020	MINI COOL EDGE 10 INTEGRATED CONNECTOR 0.6 PITCH, VERTICAL FOR PCIE. SMT TYPE		G97VXXXXXHR	
ANGULAR ±2°	CHECKED <b>Sondra Sang</b>	09/11/2020	UNIT mm	SIZE A3	REV. AX16	
UNLESS OTHERWISE SPECIFIED	APPROVED <b>Hank Hsu</b>	09/11/2020	SCALE NA	SHEET 12 OF 12	DWG No. G97VXXXXXHR	
	DWG TYPE CUST DWG	PROJECT CODE TXXX				

**Amphenol®**  
 Amphenol Corporation  
 Amphenol Taiwan Corporation