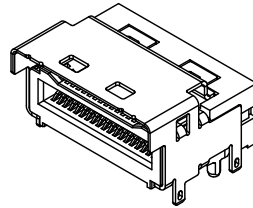
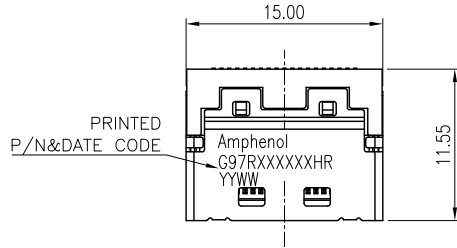


This document is the property of Amphenol Corporation and is delivered on the express condition that is not to be disclosed, reproduced or used, in whole or in part, for manufacture or sale by anyone other than Amphenol Corporation without its prior consent, and that no right is granted to disclose or to use any information in this document.

The marking on this product doesn't contain environmental hazardous materials per directive 2011/65/EU for RoHS compliant or per IEC 61249-2-21 for Halogen-Free compliant.

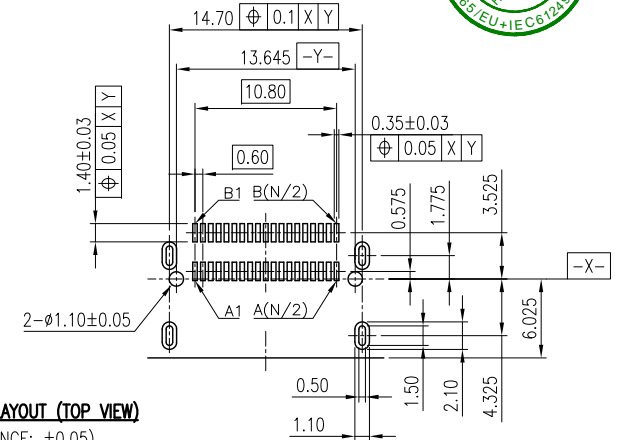
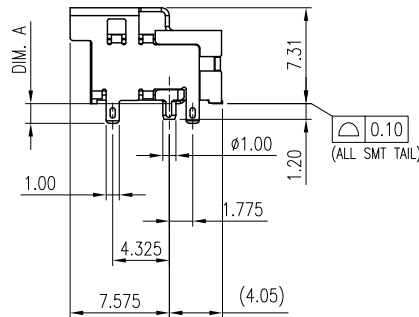
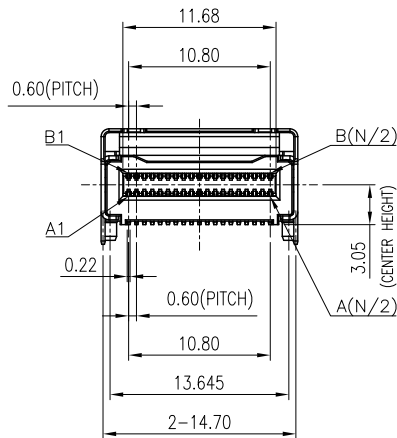
REVISIONS				
SYM	ECN No.	DESCRIPTION	DATE	BY
AX8	N/A	ADDED 84P PN	2019.11.04	IH. LEE
AX9	N/A	CHANGE THE PN DEFINE	2019.11.06	IH. LEE
AX10	N/A	ADDED 148P IN PACKING DRAWING	2019.11.25	Sondra Sang
AX11	N/A	CHANGE THE PRINT AREA/74PIN SHELL PICK UP AREA	2020.02.06	IH. LEE
AX12	N/A	CORRECT DIMENSIONING&NOTES	2020.03.16	IH. LEE



**PART NUMBER:**  
**G97 R X X X X X HR**

MINI COOL EDGE IO INTEGRATED CONNECTOR  
 RIGHT ANGLE TYPE  
 CONNECTOR SPEED  
 1: PCIE GEN 4  
 2: PCIE GEN 5  
 CHANNEL/PIN QTY  
 1: 38 PIN( 4X+SIDE BAND OR 6X)  
 2: 74 PIN( 8X+SIDE BAND OR 12X)  
 4: 124 PIN(16X+SIDE BAND OR 20X)  
 6: 148 PIN(20X+SIDE BAND OR 24X)  
 7: 84 PIN( 8X+SIDE BAND OR 13X+SIDE BAND)  
 CONTACT FINISH  
 2: 15μ" GOLD  
 3: 30μ" GOLD

COMPLIANT CODE  
 HR: HALOGEN-FREE & RoHS  
 VARIATION CODE  
 BLANK: STANDARD  
 PACKING CODE  
 2: TAPE AND REEL  
 SHELL PIN LENGTH OPTIONS(DIM.A)  
 1: 1.50mm  
 2: 2.20mm  
 3: 3.00mm  
 4: 4.20mm  
 5: 1.20mm



**FOR REFERENCE ONLY**

38 POS.

**RECOMMENDED PCB LAYOUT (TOP VIEW)**  
 (GENERAL TOLERANCE: ±0.05)

NOTES:

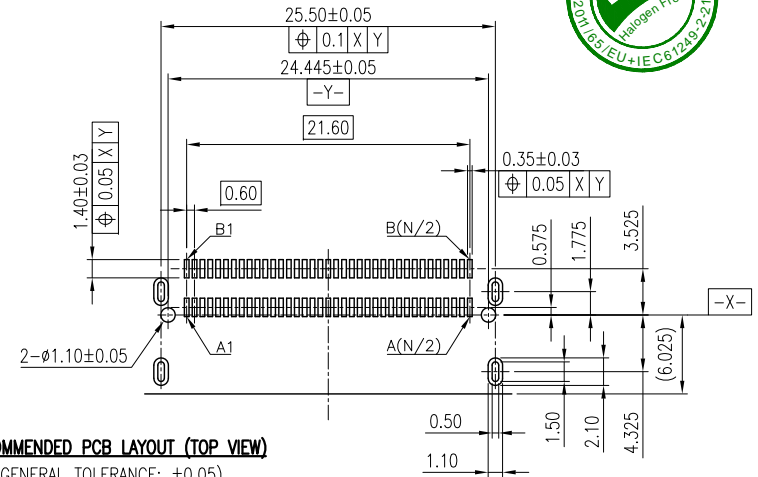
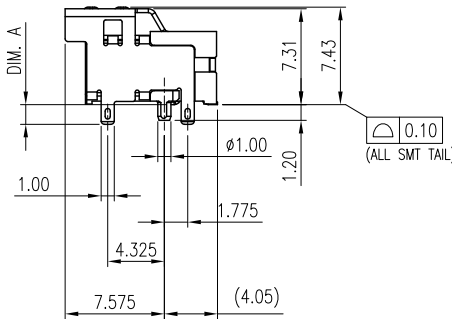
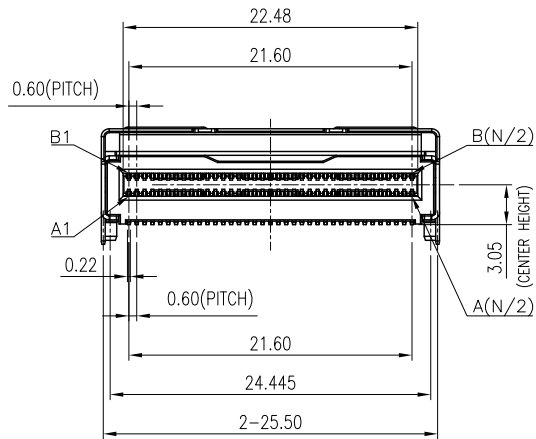
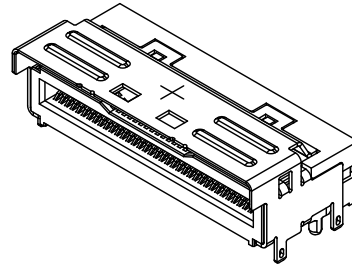
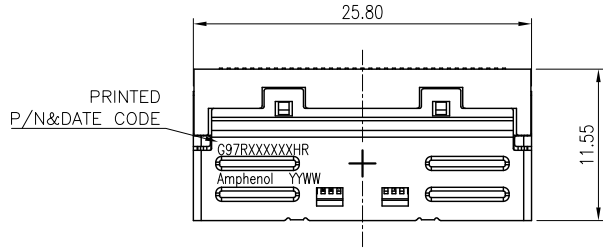
- HOUSING: HIGH TEMPERATURE THERMOPLASTIC, UL 94V-0, COLOR-BLACK
- TERMINAL: COPPER ALLOY, SELECTED GOLD PLATING ON CONTACT AREA, 100μ" MIN. MATTE TIN ON SOLDERING TAIL, 50μ" MIN. NICKEL UNDER-PLATED OVERALL
- METAL SHELL: STAINLESS STEEL, 50μ" MIN. ELECTROLESS NICKEL PLATING OVERALL
- PRODUCT SPECIFICATION REFERS TO PS-7755
- THIS PRODUCT DOESN'T CONTAIN ENVIRONMENTAL HAZARDOUS MATERIALS PER DIRECTIVE 2011/65/EC FOR RoHS AND PER IEC 61249-2-21 FOR HALOGEN FREE COMPLIANT.

TOLERANCE	DRAWN	APPROVALS	DATE	TITLE	Amphenol® Amphenol Corporation Amphenol Taiwan Corporation				
X	DESIGNED	IH. Lee	2020.03.16	MINI COOL EDGE IO INTEGRATED CONNECTOR 0.6 PITCH, RIGHT ANGLE FOR PCIE TYPE	UNIT mm	SIZE A3	PART No. G97 R X 1 X X X X HR	DWG No. G97RXXXXXHR	REV. AX12
X.X ±0.30	CHECKED	Sondra Sang	2020.03.16						
X.XX ±0.20	APPROVED	Hank Hsu	2020.03.16						
X.XXX ±0.10	DWG TYPE	CUST DWG	PROJECT CODE TXXX						
ANGULAR ±2°	UNLESS OTHERWISE SPECIFIED								

This document is the property of Amphenol Corporation and is delivered on the express condition that is not to be disclosed, reproduced or used, in whole or in part, for manufacture or sale by anyone other than Amphenol Corporation without its prior consent, and that no right is granted to disclose or to use any information in this document.

The marking on this product doesn't contain environmental hazardous materials per directive 2011/65/EU for RoHS compliant or per IEC 61249-2-21 for Halogen-Free compliant.

REVISIONS				
SYM	ECN No.	DESCRIPTION	DATE	BY
AX8	N/A	ADDED 84P PN	2019.11.04	IH. LEE
AX9	N/A	CHANGE THE PN DEFINE	2019.11.06	IH. LEE
AX10	N/A	ADDED 148P IN PACKING DRAWING	2019.11.25	Sondra Sang
AX11	N/A	CHANGE THE PRINT AREA/74PIN SHELL PICK UP AREA	2020.02.06	IH. LEE
AX12	N/A	CORRECT DIMENSIONING&NOTES	2020.03.16	IH. LEE



**FOR REFERENCE ONLY**

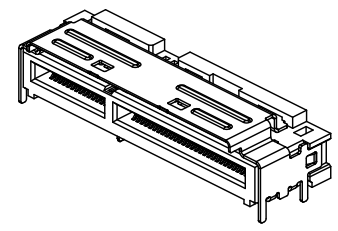
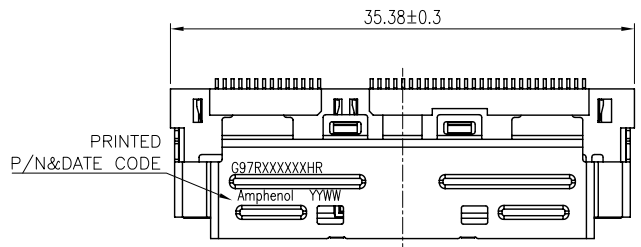
74 POS.

**RECOMMENDED PCB LAYOUT (TOP VIEW)**  
(GENERAL TOLERANCE: ±0.05)

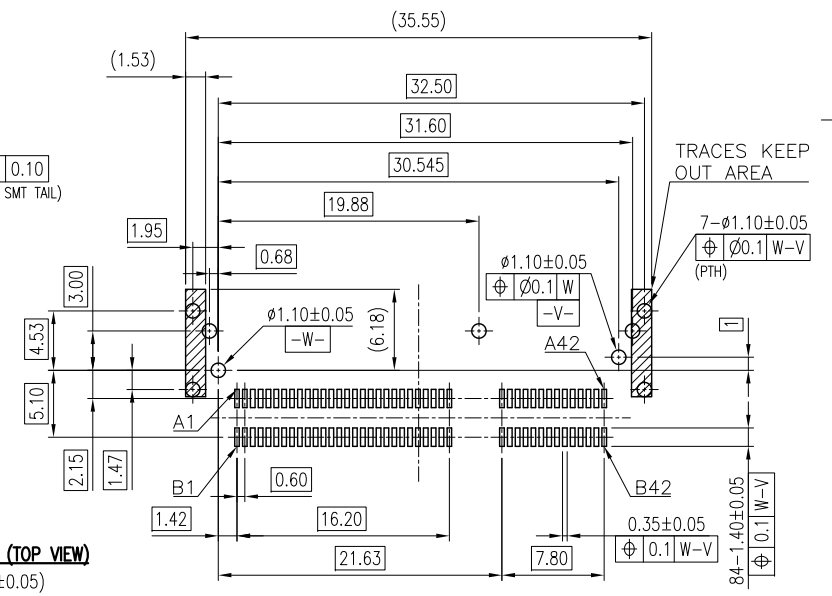
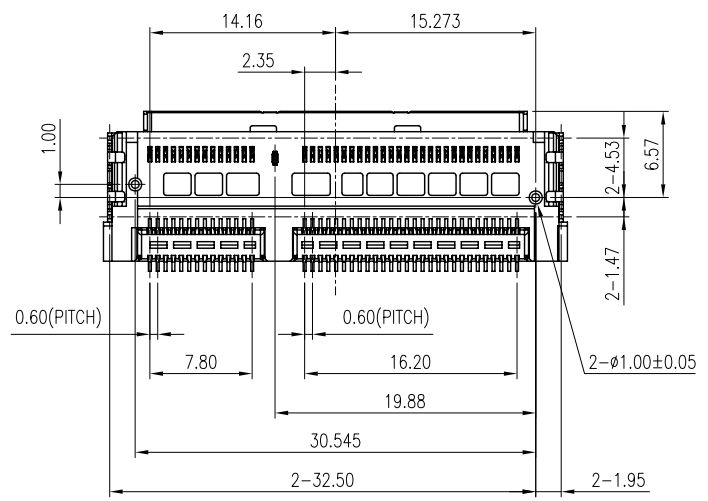
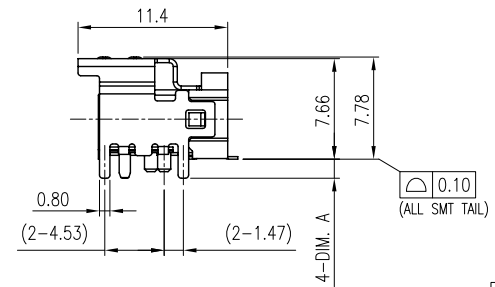
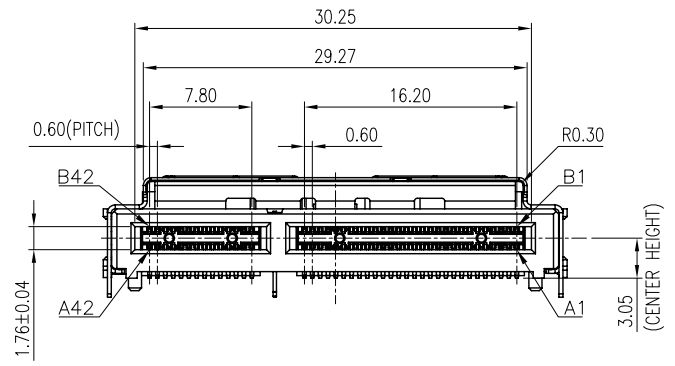
TOLERANCE	DRAWN	APPROVALS	DATE	TITLE	Amphenol®					
X. ±0.30	DESIGNED	IH. Lee	2020.03.16	MINI COOL EDGE IO INTEGRATED CONNECTOR 0.6 PITCH, RIGHT ANGLE FOR PCIE TYPE	Amphenol Corporation					
X.X ±0.20	CHECKED	Sondra Sang	2020.03.16		Amphenol Taiwan Corporation					
X.XX ±0.10	APPROVED	Hank Hsu	2020.03.16		PART No.	G97 R X 2 X X X X HR				
ANGULAR ±2°	DWG TYPE	CUST DWG	PROJECT CODE		TXXX	DWG No.	G97RXXXXXXHR			
UNLESS OTHERWISE SPECIFIED					UNIT	mm	SIZE	A3	REV.	AX12
					SCALE	NA	SHEET	2 OF 7		

This document is the property of Amphenol Corporation and is delivered on the express condition that is not to be disclosed, reproduced or used, in whole or in part, for manufacture or sale by anyone other than Amphenol Corporation without its prior consent, and that no right is granted to disclose or to use any information in this document.  
 The marking on this product doesn't contain environmental hazardous materials per directive 2011/65/EU for RoHS compliant or per IEC 61249-2-21 for Halogen-Free compliant.

REVISIONS				
SYM	ECN No.	DESCRIPTION	DATE	BY
AX8	N/A	ADDED 84P PN	2019.11.04	IH. LEE
AX9	N/A	CHANGE THE PN DEFINE	2019.11.06	IH. LEE
AX10	N/A	ADDED 148P IN PACKING DRAWING	2019.11.25	Sondra Sang
AX11	N/A	CHANGE THE PRINT AREA/74PIN SHELL PICK UP AREA	2020.02.06	IH. LEE
AX12	N/A	CORRECT DIMENSIONING&NOTES	2020.03.16	IH. LEE



**FOR REFERENCE ONLY**



84 POS.

**RECOMMENDED PCB LAYOUT (TOP VIEW)**  
 (GENERAL TOLERANCE: ±0.05)

TOLERANCE	DRAWN	APPROVALS	DATE	TITLE	UNIT	SIZE	PART No.
X. ±0.30	DESIGNED	IH. Lee	2020.03.16	MINI COOL EDGE IO INTEGRATED CONNECTOR 0.6 PITCH, RIGHT ANGLE FOR PCIE TYPE	mm	A3	G97 R X 7 X X X X HR
X.X ±0.20	CHECKED	Sondra Sang	2020.03.16				
X.XX ±0.10	APPROVED	Hank Hsu	2020.03.16				
ANGULAR ±2°	DWG TYPE	CUST DWG	PROJECT CODE TXXX				
UNLESS OTHERWISE SPECIFIED				SCALE NA	SHEET 3 OF 7	DWG No. G97RXXXXXXHR	REV. AX12

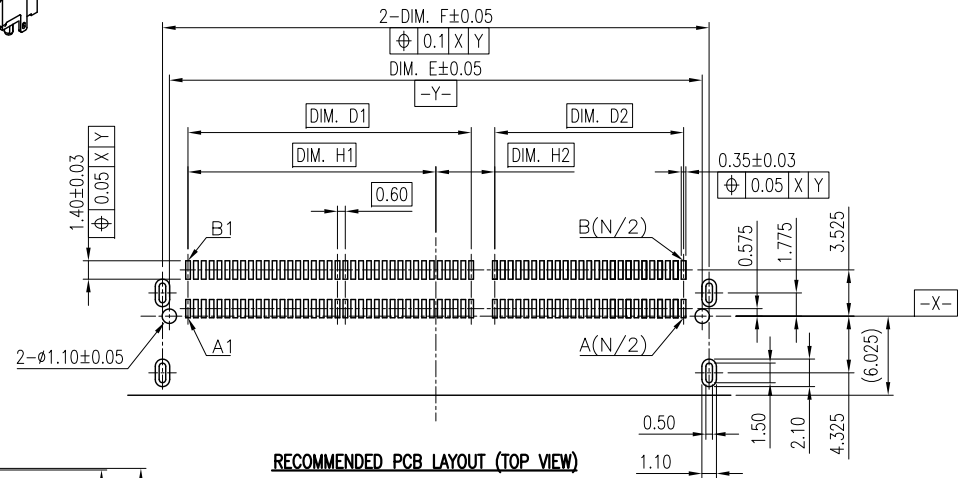
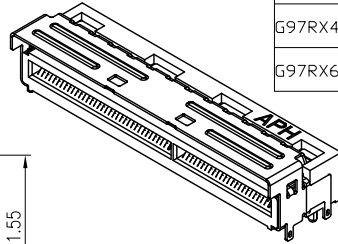
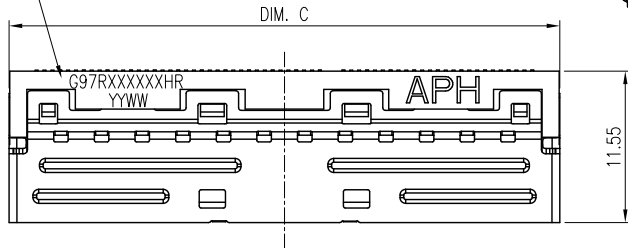
**Amphenol®**  
 Amphenol Corporation  
 Amphenol Taiwan Corporation

This document is the property of Amphenol Corporation and is delivered on the express condition that is not to be disclosed, reproduced or used, in whole or in part, for manufacture or sale by anyone other than Amphenol Corporation without its prior consent, and that no right is granted to disclose or to use any information in this document.  
 The marking on this product doesn't contain environmental hazardous materials per directive 2011/65/EU for RoHS compliant or per IEC 61249-2-21 for Halogen-Free compliant.

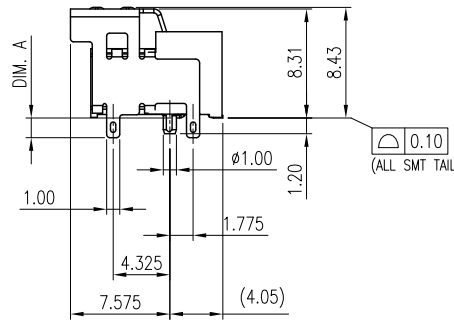
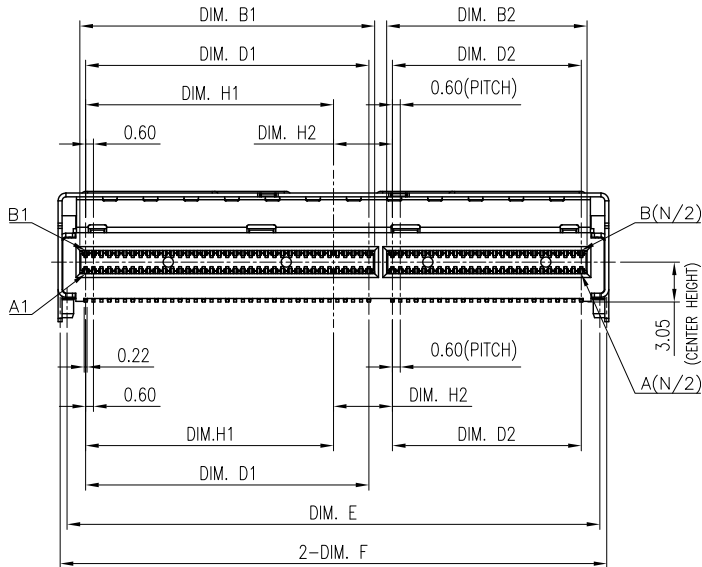
REVISIONS				
SYM	ECN No.	DESCRIPTION	DATE	BY
AX8	N/A	ADDED 84P PN	2019.11.04	IH. LEE
AX9	N/A	CHANGE THE PN DEFINE	2019.11.06	IH. LEE
AX10	N/A	ADDED 148P IN PACKING DRAWING	2019.11.25	Sondra Sang
AX11	N/A	CHANGE THE PRINT AREA/74PIN SHELL PICK UP AREA	2020.02.06	IH. LEE
AX12	N/A	CORRECT DIMENSIONING&NOTES	2020.03.16	IH. LEE

PART NUMBER	POS. (N)	DIM. B1	DIM. B2	DIM. C	DIM. D1	DIM. D2	DIM. E	DIM. F	DIM. H1	DIM. H2
G97RX4XXXXHR	124	22.48	15.28	42.00	21.60	14.40	40.645	41.70	18.90	4.50
G97RX6XXXXHR	148	22.48	22.48	49.20	21.60	21.60	47.845	48.90	22.50	8.10

PRINTED P/N&DATE CODE



RECOMMENDED PCB LAYOUT (TOP VIEW)  
 (GENERAL TOLERANCE: ±0.05)



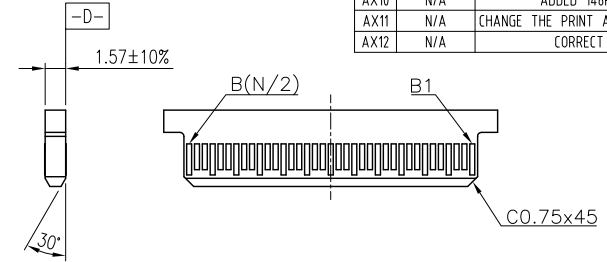
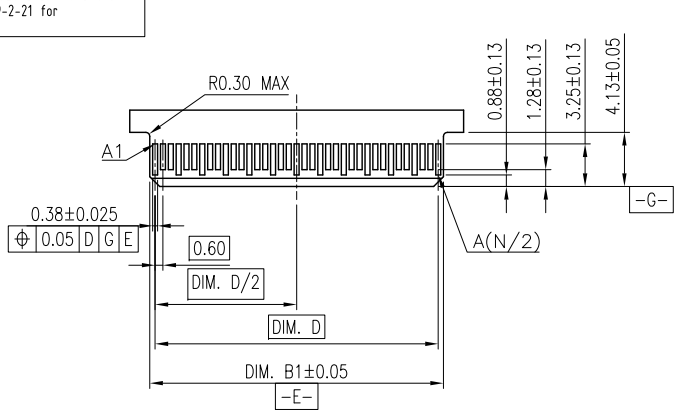
124 & 148 POS.

**FOR REFERENCE ONLY**

TOLERANCE	DRAWN	APPROVALS	DATE	TITLE	Amphenol®					
X. ±0.30	DESIGNED	IH. Lee	2020.03.16	MINI COOL EDGE IO INTEGRATED CONNECTOR 0.6 PITCH, RIGHT ANGLE FOR PCIE TYPE	Amphenol Corporation Amphenol Taiwan Corporation					
X.X ±0.20	CHECKED	Sondra Sang	2020.03.16							
X.XX ±0.10	APPROVED	Hank Hsu	2020.03.16							
X.XXX ±0.10	DWG TYPE	CUST DWG	PROJECT CODE TXXX							
ANGULAR ±2°	UNLESS OTHERWISE SPECIFIED		UNIT	m	SCALE	NA	SIZE	A3	PART No.	G97 R X X X X X X HR
			SHEET	4	OF	7	DWG No.	G97RXXXXXXHR	REV.	AX12

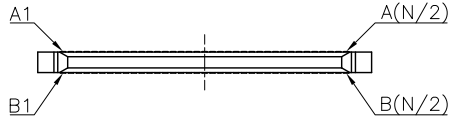
This document is the property of Amphenol Corporation and is delivered on the express condition that is not to be disclosed, reproduced or used, in whole or in part, for manufacture or sale by anyone other than Amphenol Corporation without its prior consent, and that no right is granted to disclose or to use any information in this document.  
The marking on this product doesn't contain environmental hazardous materials per directive 2011/65/EU for RoHS compliant or per IEC 61249-2-21 for Halogen-Free compliant.

REVISIONS				
SYM	ECN No.	DESCRIPTION	DATE	BY
AX8	N/A	ADDED 84P PN	2019.11.04	IH. LEE
AX9	N/A	CHANGE THE PN DEFINE	2019.11.06	IH. LEE
AX10	N/A	ADDED 148P IN PACKING DRAWING	2019.11.25	Sondra Sang
AX11	N/A	CHANGE THE PRINT AREA/74PIN SHELL PICK UP AREA	2020.02.06	IH. LEE
AX12	N/A	CORRECT DIMENSIONING&NOTES	2020.03.16	IH. LEE

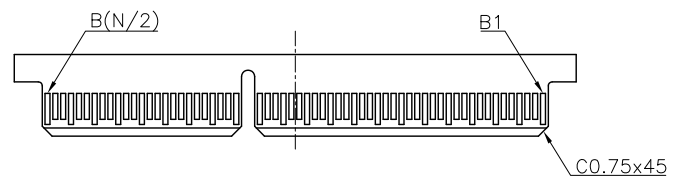
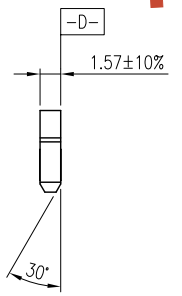
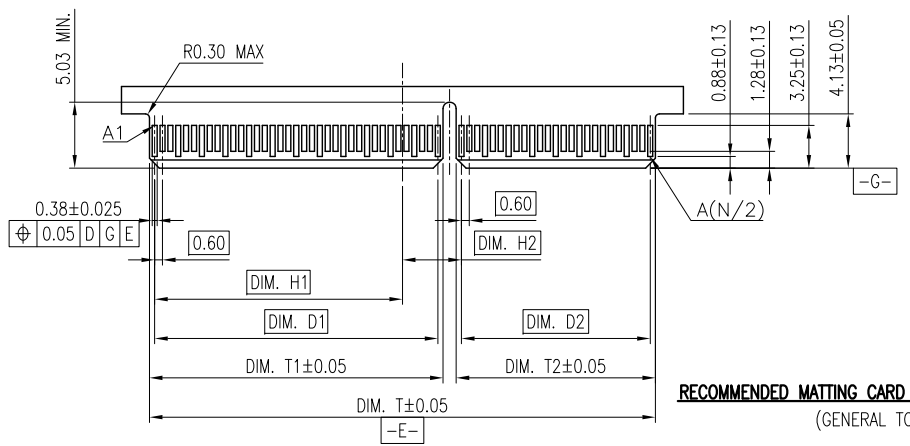


PART NUMBER	POS. <N>	DIM. B1	DIM. D
G97RX1XXXXHR	38	11.6	10.80
G97RX2XXXXHR	74	22.4	21.60

**RECOMMENDED MATING CARD DIMENSIONS (1PORT)**  
(GENERAL TOLERANCE: ±0.05)

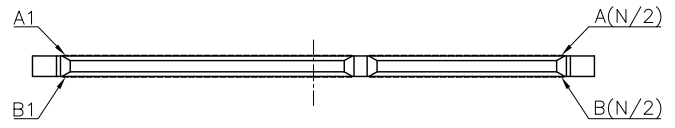


**FOR REFERENCE ONLY**



PART NUMBER	POS. <N>	DIM. D1	DIM. D2	DIM. H1	DIM. H2	DIM. T	DIM. T1	DIM. T2
G97RX4XXXXHR	124	21.60	14.40	18.90	4.50	38.6	22.4	15.2
G97RX6XXXXHR	148	21.60	21.60	22.50	0.90	45.8	22.4	22.4

**RECOMMENDED MATING CARD DIMENSIONS (2PORT.124&148PIN)**  
(GENERAL TOLERANCE: ±0.05)



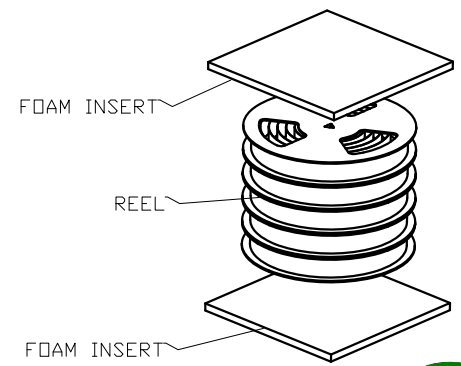
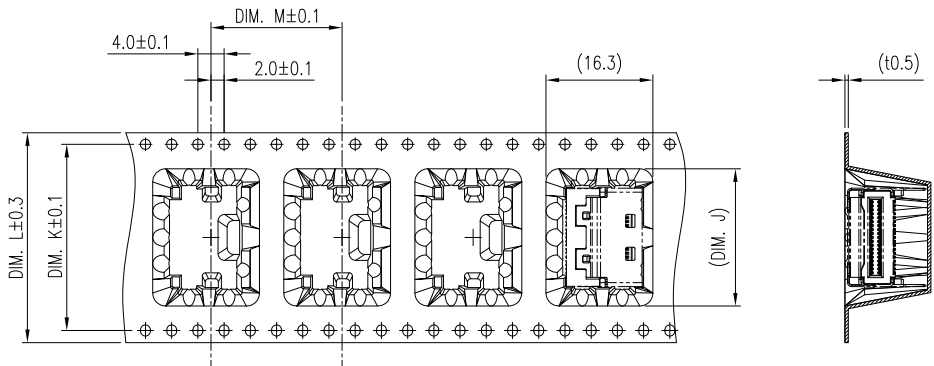
TOLERANCE	DRAWN	APPROVALS	DATE	TITLE	<b>Amphenol®</b> Amphenol Corporation Amphenol Taiwan Corporation PART No. <b>G97 R X X X X X X HR</b> DWG No. <b>G97RXXXXXXHR</b> REV. <b>AX12</b>			
X. ±0.30	DESIGNED	<b>IH. Lee</b>	2020.03.16	MINI COOL EDGE IO INTEGRATED CONNECTOR 0.6 PITCH, RIGHT ANGLE FOR PCIE TYPE				
X.X ±0.20	CHECKED	<b>Sondra Sang</b>	2020.03.16					
X.XX ±0.10	APPROVED	<b>Hank Hsu</b>	2020.03.16					
ANGULAR ±2°	DWG TYPE	<b>CUST DWG</b>	PROJECT CODE <b>TXXX</b>		UNIT mm	SIZE A3		
UNLESS OTHERWISE SPECIFIED				SCALE NA	SHEET 5 OF 7			



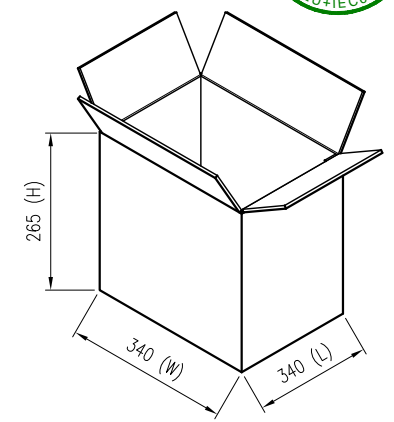
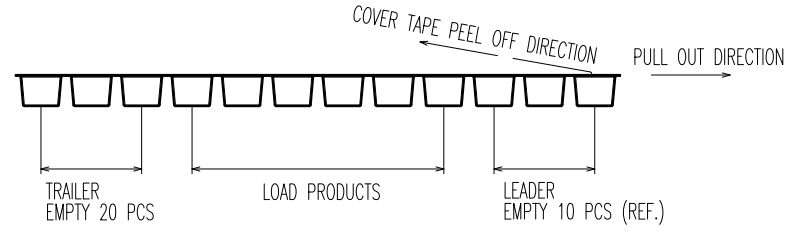
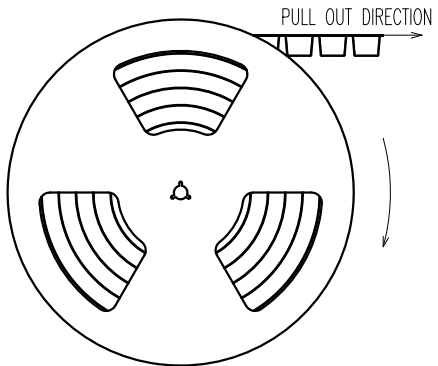
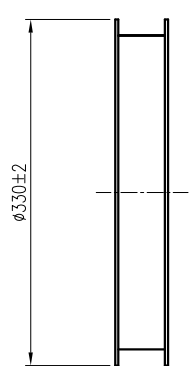
This document is the property of Amphenol Corporation and is delivered on the express condition that is not to be disclosed, reproduced or used, in whole or in part, for manufacture or sale by anyone other than Amphenol Corporation without its prior consent, and that no right is granted to disclose or to use any information in this document.  
 The marking on this product doesn't contain environmental hazardous materials per directive 2011/65/EU for RoHS compliant or per IEC 61249-2-21 for Halogen-Free compliant.

PART NUMBER	POS. (N)	DIM. J	DIM. K	DIM. L	DIM. M	REEL (PCS)	CARTON (PCS)
G97RX1XXXHR	38	(20.9)	28.40	32.00	20.00	225	1350
G97RX2XXXHR	74	(32.5)	40.40	44.00	20.00	240	960
G97RX7XXXHR	84	(42.6)	52.40	56.00	24.00	180	540
G97RX4XXXHR	124	(39.5)	68.40	72.00	20.00	220	660
G97RX6XXXHR	148	(49.4)	68.40	72.00	20.00	220	660

REVISIONS				
SYM	ECN No.	DESCRIPTION	DATE	BY
AX8	N/A	ADDED 84P PN	2019.11.04	IH. LEE
AX9	N/A	CHANGE THE PN DEFINE	2019.11.06	IH. LEE
AX10	N/A	ADDED 148P IN PACKING DRAWING	2019.11.25	Sondra Sang
AX11	N/A	CHANGE THE PRINT AREA/74PIN SHELL PICK UP AREA	2020.02.06	IH. LEE
AX12	N/A	CORRECT DIMENSIONING&NOTES	2020.03.16	IH. LEE



**FOR REFERENCE ONLY**



- NOTE 2:  
 1. CARTON SIZE 340L X 340W X 265H  
 2. PREFER TO AMTA LABELING STANDARD.  
 3. CARTON CLOSURES MUST BE SEALED WITH TAPE.

NOTE 1 :  
 1.MATERIAL:  
 CARRIER TAPE: POLYSTYRENE, BLACK  
 COVER TAPE: TRANSPARENT POLYSTYRENE  
 REEL: POLYSTYRENE, BLACK  
 2.ALL TAPE AND REEL SPECIFICATION FOLLOW EIA-481 STANDARD.  
 3.THIS PRODUCT DOESN'T CONTAIN ENVIRONMENTAL HAZARDOUS PER DIRECTIVE 2002/95/EC FOR RoHS.

TOLERANCE	DRAWN	APPROVALS	DATE	TITLE	UNIT	SIZE	PART No.
X. ±0.30	DESIGNED	IH. Lee	2020.03.16	MINI COOL EDGE 10 INTEGRATED CONNECTOR 0.6 PITCH, RIGHT ANGLE FOR PCIE TYPE	mm	A3	G97 R X X X X X X HR
X.X ±0.20	CHECKED	Sondra Sang	2020.03.16				
X.XX ±0.20	APPROVED	Hank Hsu	2020.03.16		NA	7 OF 7	Dwg No. G97RXXXXXXHR
X.XXX ±0.10	DWG TYPE	CUST DWG	PROJECT CODE TXXX				
ANGULAR ±2°							
UNLESS OTHERWISE SPECIFIED							

**Amphenol®**  
 Amphenol Corporation  
 Amphenol Taiwan Corporation