

MATERIAL:

CONNECTOR - SMT

PLASTIC HOUSING:

LCP, FLAMMABILITY RATING UL94-V0

LEADFRAMES:

WAFER MOLDING:

LCP, PLAMMABILITY RATING UL94-V0

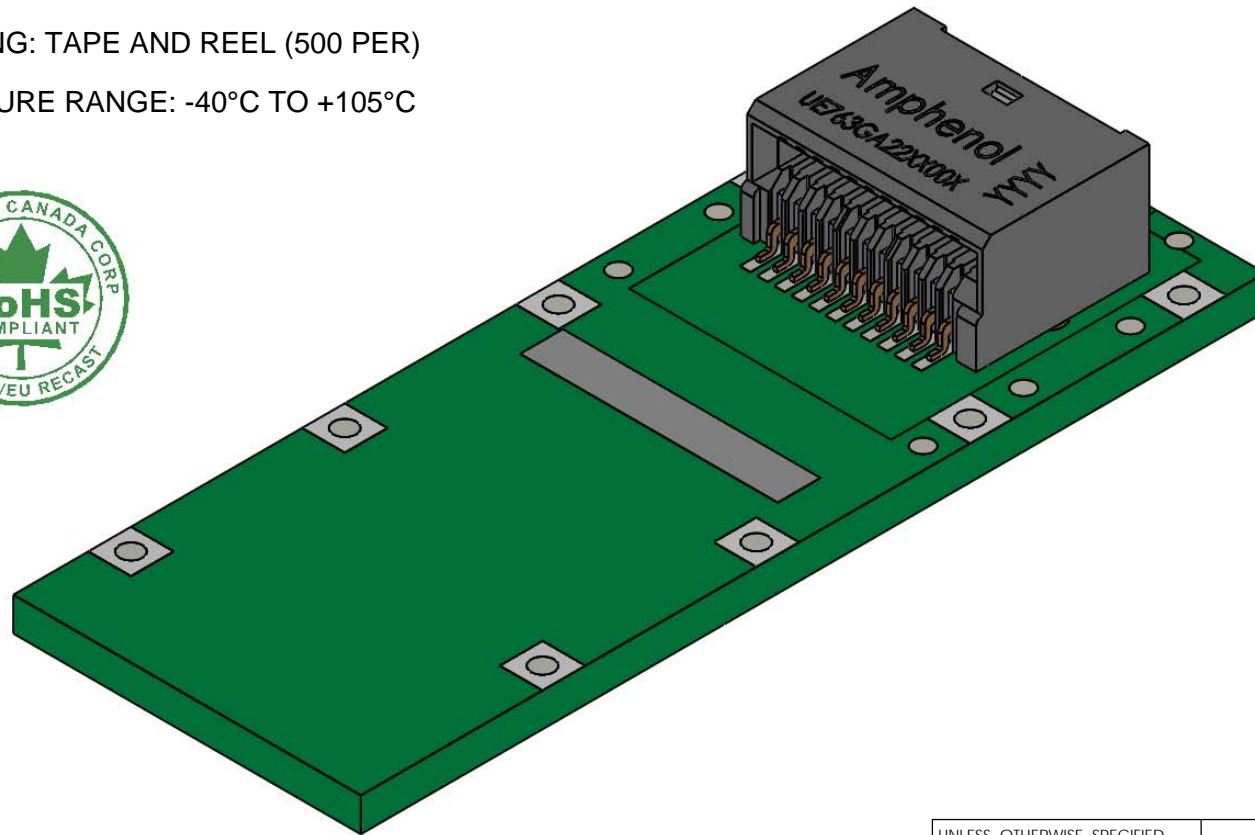
CONTACT:

PHOSPHOR BRONZE

PLATING: SEE AMPHENOL PART NUMBER

PACKAGING: TAPE AND REEL (500 PER)

TEMPRATURE RANGE: -40°C TO +105°C



REVISIONS				
REV.	ECN	DESCRIPTION	DATE	APPROVED
A		PROPOSAL	05-Jun-19	J.SI
B		UPDATE DRAWING	20-Aug-19	J.SI
C		ADD DIMENTION 1.08	24-DEC-19	J.SI

AMPHENOL PART NUMBER CONFIGURATION

UE76 - 3GA 22 - X 8 0 0 T

PACKAGING

T = TAPE AND REEL PACKAGING

PLATING

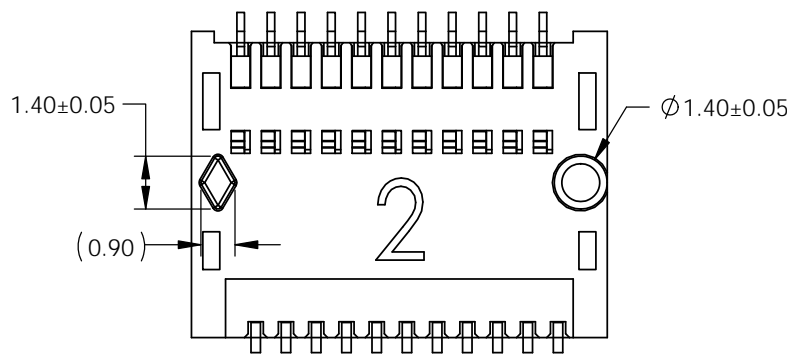
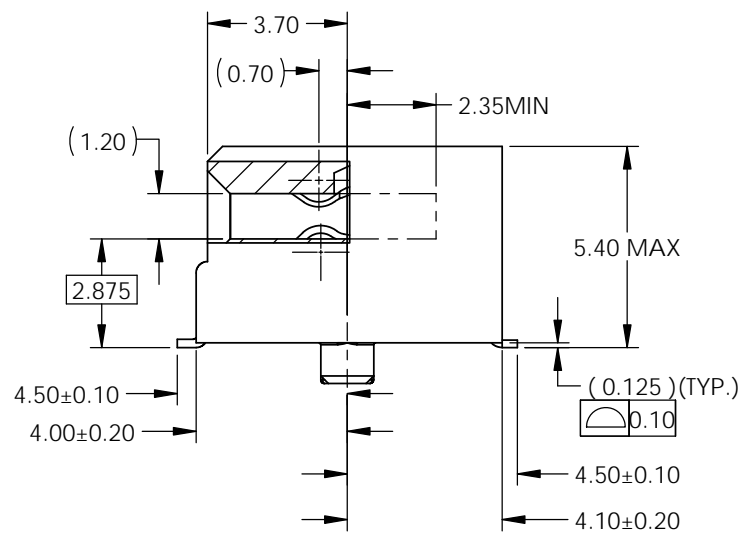
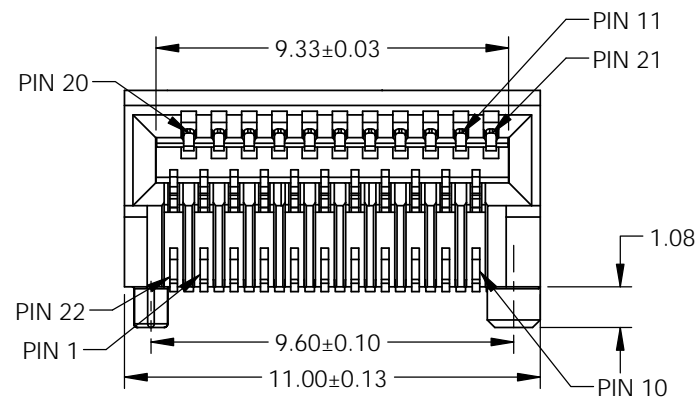
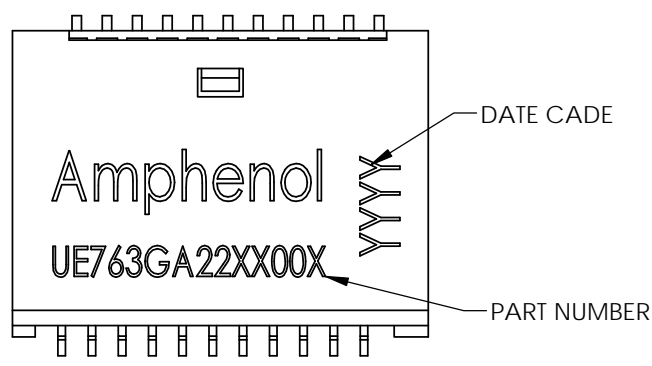
- 2 = 0.76um GOLD AT MATING AREA
GOLD FLASH IN TERMINATION
- 3 = 0.76um GOLD AT MATING AREA
3.0-7.62um MATTE TIN IN
TERMINATION
- 5 = 0.38um GOLD AT MATING AREA
GOLD FLASH IN TERMINATION
- 6 = 0.38um GOLD AT MATING AREA
3.0-7.62um MATTE TIN IN
TERMINATION

DO NOT SCALE DRAWING

THIS DOCUMENT CONTAINS PROPRIETARY INFORMATION AND SUCH INFORMATION MAY NOT BE DISCLOSED TO OTHERS FOR ANY PURPOSE OR USED FOR MANUFACTURING PURPOSES WITHOUT PERMISSION FROM AMPHENOL CANADA CORP.

UNLESS OTHERWISE SPECIFIED DIMENSIONS ARE IN MILLIMETERS TOLERANCES ARE:		APPROVALS	DATE	Amphenol High Speed Interconnects	
DECIMALS X.X ± 0.25 ANGLES ± 1° X.XX ± 0.15				A Division of Amphenol Corp. www.amphenol-highspeed.com	
MATERIAL AND FINISH		DRAWN Galen.L	05-Jun-19	TITLE DSFP PAM4 56G CONNECTOR	
SEE NOTES		DESIGNED			
REF. X		CHECKED Chigow.X	05-Jun-19		
CODE IDENT. NO. 03554		QA APP'D			
		IE APP'D		SIZE A4	DWG. NO. P-UE76-3GA22-X800T
		DWG APP'D		SCALE 4:1	PROJECT
		J.SI	05-Jun-19	SHEET	1 OF 3

REVISIONS				
REV.	ECN	DESCRIPTION	DATE	APPROVED
A		PROPOSAL	05-Jun-19	J.SI
B		UPDATE DRAWING	20-Aug-19	J.SI
C		ADD DIMENTION 1.08	24-DEC-19	J.SI



DO NOT SCALE DRAWING

THIS DOCUMENT CONTAINS PROPRIETARY INFORMATION AND SUCH INFORMATION MAY NOT BE DISCLOSED TO OTHERS FOR ANY PURPOSE OR USED FOR MANUFACTURING PURPOSES WITHOUT PERMISSION FROM AMPHENOL CANADA CORP.

UNLESS OTHERWISE SPECIFIED DIMENSIONS ARE IN MILLIMETERS TOLERANCES ARE:		APPROVALS		DATE		Amphenol High Speed Interconnects A Division of Amphenol Corp. www.amphenol-highspeed.com		
DECIMALS X.X ± 0.25		DRAWN Galen.L		05-Jun-19		TITLE		
ANGLES ± 1°		DESIGNED				DSFP PAM4 56G CONNECTOR		
MATERIAL AND FINISH SEE NOTES		CHECKED Chigow.X		05-Jun-19				
REF. X		QA APP'D						
CODE IDENT. NO. 03554		IE APP'D				SIZE A4	DWG. NO. P-UE76-3GA22-X800T	REV. C
		DWG APP'D J.SI		05-Jun-19		SCALE 5:1	PROJECT	SHEET 2 OF 3

