

**AMPHENOL PART NUMBER CONFIGURATION**

V95-AAZ01 - XX X 0 X X X

**HEAT SINK OPTIONS**

- 00 = NO HEAT SINK, TOP CLOSED
- 01 = NO HEAT SINK, TOP OPEN
- 02 = SQUAD PIN HEAT SINK, PCI HEIGHT, NICKEL
- 03 = SQUAD PIN HEAT SINK, SAN HEIGHT, NICKEL
- 04 = SQUAD PIN HEAT SINK, TALL HEIGHT, NICKEL
- 05 = SQUAD PIN HEAT SINK, PCI HEIGHT, BLACK ANODIZE
- 06 = SQUAD PIN HEAT SINK, SAN HEIGHT, BLACK ANODIZE
- 07 = SQUAD PIN HEAT SINK, TALL HEIGHT, BLACK ANODIZE
- 08 = PIN-FIN STYLE FOR SIDE TO SIDE, PCI HEIGHT, NICKEL
- 09 = PIN-FIN STYLE FOR SIDE TO SIDE, SAN HEIGHT, NICKEL
- 10 = PIN-FIN STYLE FOR SIDE TO SIDE, TALL HEIGHT, NICKEL
- 11 = PIN-FIN STYLE FOR SIDE TO SIDE, PCI HEIGHT, BLACK ANODIZE
- 12 = PIN-FIN STYLE FOR SIDE TO SIDE, SAN HEIGHT, BLACK ANODIZE
- 13 = PIN-FIN STYLE FOR SIDE TO SIDE, TALL HEIGHT, BLACK ANODIZE
- 14 = PIN-FIN STYLE FOR FRONT - BACK, PCI HEIGHT, NICKEL
- 15 = PIN-FIN STYLE FOR FRONT - BACK, SAN HEIGHT, NICKEL
- 16 = PIN-FIN STYLE FOR FRONT - BACK, TALL HEIGHT, NICKEL
- 17 = PIN-FIN STYLE FOR FRONT - BACK, PCI HEIGHT, BLACK ANODIZE
- 18 = PIN-FIN STYLE FOR FRONT - BACK, SAN HEIGHT, BLACK ANODIZE
- 19 = PIN-FIN STYLE FOR FRONT - BACK, TALL HEIGHT, BLACK ANODIZE

**REAR PIN OPTIONS (SEE PAGE 2)**

- 0 = WITH 2 REAR PIN
- 1 = WITH 0 REAR PIN
- 2 = WITH 1 REAR PIN

**PACKAGING OPTIONS**

- A = TRAY PACKAGING  
(HEAT SINK & CLIP SHIPPED ASSEMBLED, IF ORDERED)
- T = TAPE & REEL PACKAGING

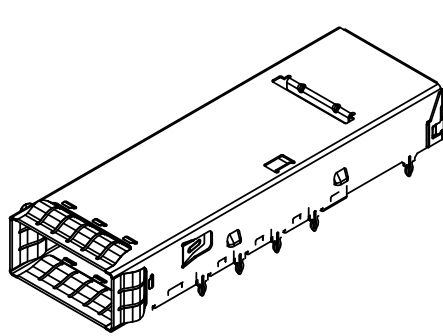
**DUST COVER OPTIONS**

- 0 = WITHOUT DUST COVER
- D = WITH DUST COVER (SHIPPED LOOSE PIECE)

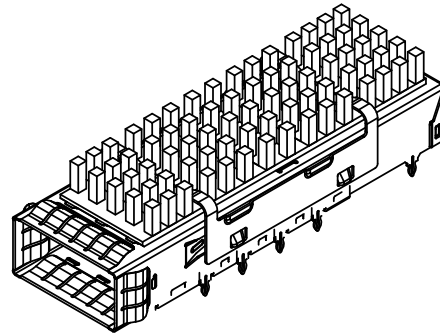
**LIGHT PIPE OPTIONS (SEE PAGE 2)**

- 0 = NO LIGHT PIPE
- 1 = SINGEL LIGHT PIPE
- 2 = DUAL LIGHT PIPE
- 3 = QUAD LIGHT PIPE

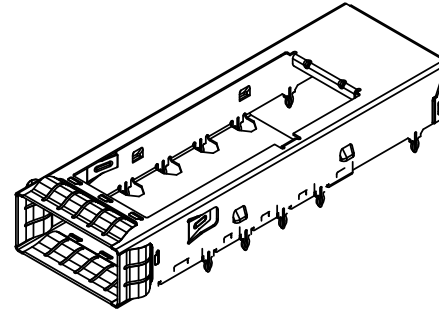
REVISIONS			
REV	DESCRIPTION, ECN, EAR NO.	DATE	APP'D
A	PRELIMINARY	15-Dec-20	J.Si
B	PRELIMINARY	08-Jan-21	J.Si
C	PRELIMINARY	30-Mar-21	J.Si
D	PRELIMINARY	23-Jun-21	J.Si
E	PRELIMINARY	15-Jul-21	J.Si



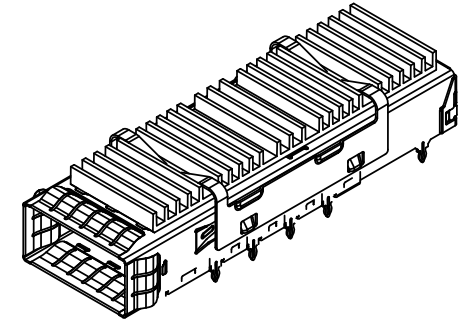
V95-AAZ01-00000A0



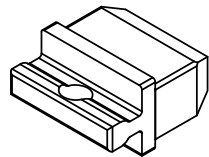
V95-AAZ01-03000A0



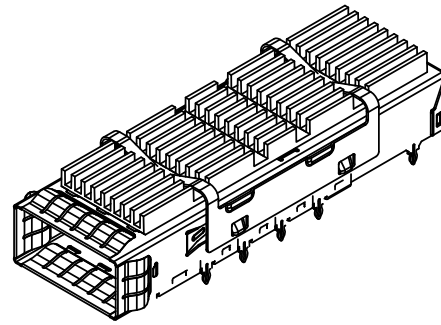
V95-AAZ01-01000A0



V95-AAZ01-08000A0



**CONDUCTIVE DUST COVER  
SHOWN (OPTIONAL)  
P/N U90-1401-80V0-BP (SHIPPED LOOSE)**



V95-AAZ01-14000A0

UNLESS SPECIFIED OTHERWISE		DRAWN	Rose.Y	15-Dec-20
UNIT	MILLIMETERS	CHECKED	Chigow.X	15-Dec-20
REFERENCE IN PARENTHESES		M.E. APP'D	Andy.C	15-Dec-20
		Q.A. APP'D	Joe.P	15-Dec-20
GENERAL TOLERANCES		DWG APP'D	Jason.S	15-Dec-20
1 DECIMAL PLACE	±0.25	ENG. REL. NO.	-	
2 DECIMAL PLACES	±0.15	REF.		
ANGULAR DEGREES	±1°	THIRD ANGLE PROJECTION		DO NOT SCALE DRAWING

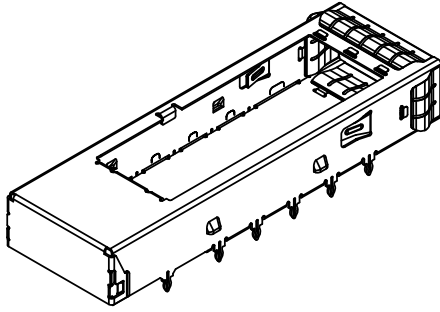
**Amphenol High Speed Interconnects**  
A Division of Amphenol Corp. [www.amphenol-highspeed.com](http://www.amphenol-highspeed.com)

QSFP 112G 1X1 CAGE ASSEMBLY  
THRU BEZEL, WITH REAR PIN OPTIONS  
WITH LP OPTIONS  
WITH HEAT SINK OPTIONS

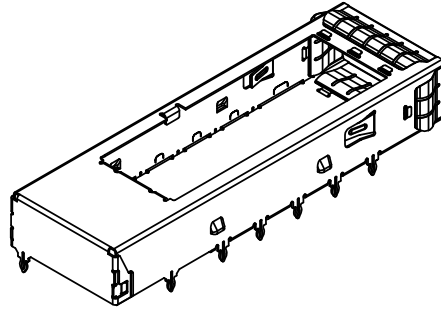
DWG. NO. **P-V95-AAZ01** REV **E**

CODE ID NO. **03554** DWG SIZE: **C** SCALE: **3:1** SHEET **1** OF **7**

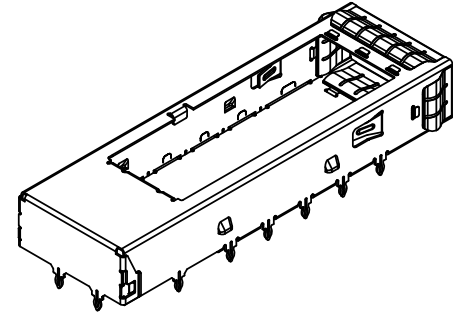
**EON PIN OPTIONS**



0 REAR PIN

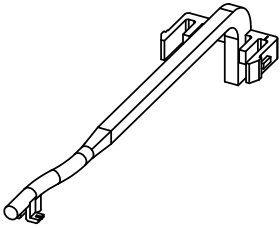


1 REAR PIN

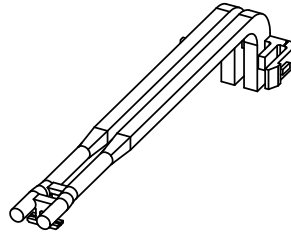


2 REAR PIN

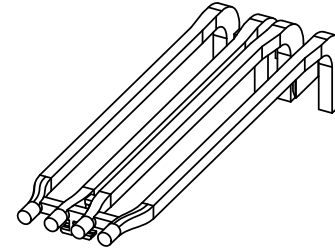
**LIGHT PIPE OPTIONS**



SINGEL LIGHT PIPE



DUAL LIGHT PIPE

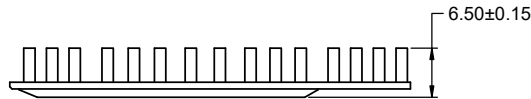


QUAD LIGHT PIPE

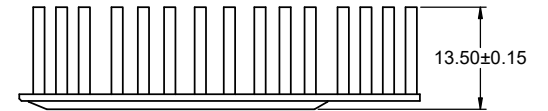
**HEAT SINK HEIGHT OPTIONS**



PCI HEIGHT



SAN HEIGHT



TALL HEIGHT

THIS DOCUMENT CONTAINS PROPRIETARY INFORMATION AND SUCH INFORMATION MAY NOT BE DISCLOSED TO OTHERS FOR ANY PURPOSE OR USED FOR MANUFACTURING PURPOSES WITHOUT WRITTEN PERMISSION FROM AMPHENOL CANADA CORP.

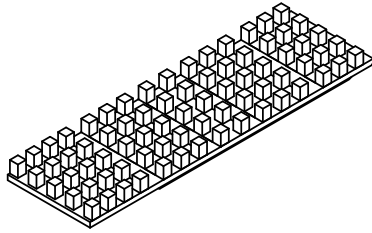
UNLESS SPECIFIED OTHERWISE		DRAWN	Rose.Y	15-Dec-20
UNIT	MILLIMETERS	CHECKED	Chigow.X	15-Dec-20
REFERENCE IN PARENTHESES		M.E. APP'D	Andy.C	15-Dec-20
		Q.A. APP'D	Joe.P	15-Dec-20
GENERAL TOLERANCES		DWG. APP'D	Jason.S	15-Dec-20
1 DECIMAL PLACE	±0.25	ENG. REL. NO.	-	
2 DECIMAL PLACES	±0.15	REF.		
ANGULAR DEGREES	±1°	THIRD ANGLE PROJECTION		
		DO NOT SCALE DRAWING		

**Amphenol High Speed Interconnects**  
 A Division of Amphenol Corp. [www.amphenol-highspeed.com](http://www.amphenol-highspeed.com)

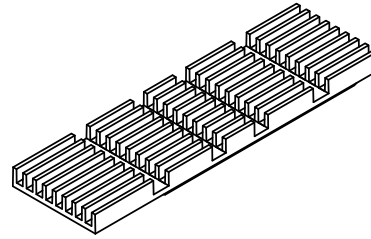
QSFP 112G 1X1 CAGE ASSEMBLY  
 THRU BEZEL, WITH REAR PIN OPTIONS  
 WITH LP OPTIONS  
 WITH HEAT SINK OPTIONS

DWG. NO.	P-V95-AAZ01		REV	E
CODE ID. NO.	03554	DWG. SIZE:	C	SCALE: 3:1
SHEET 2 OF 7				

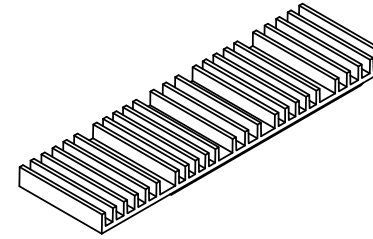
**HEAT SINK TYPE**



SQUAD PIN



PIN-FIN STYLE FOR FRONT - BACK



PIN-FIN STYLE FOR SIDE TO SIDE

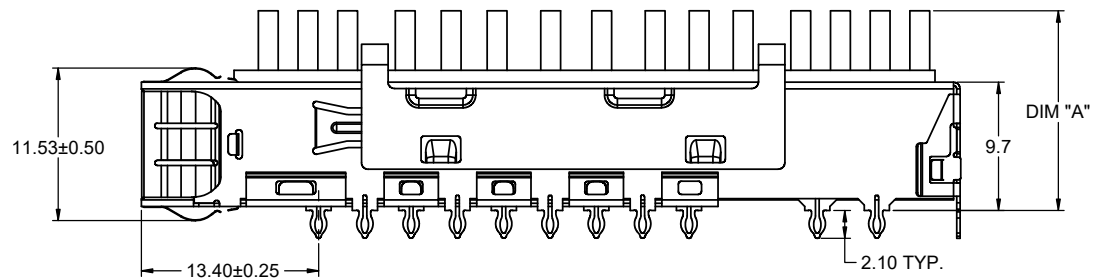
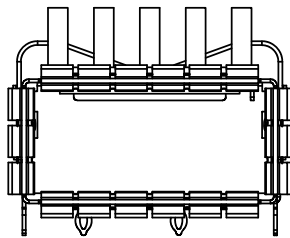
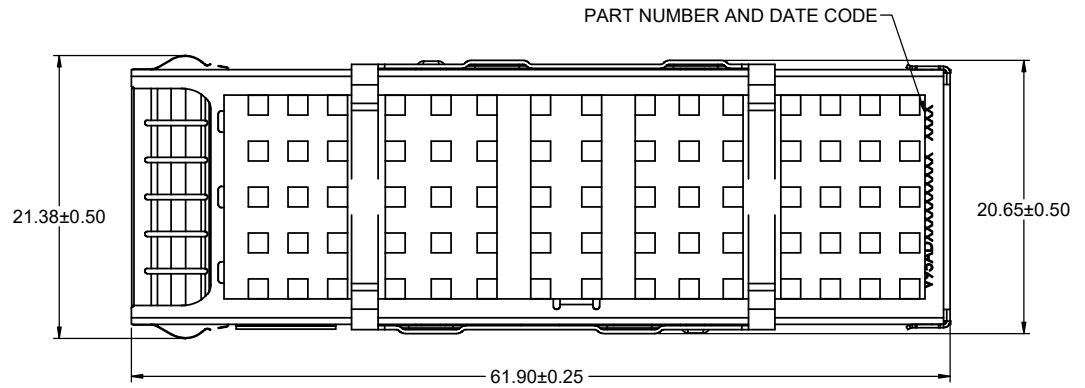
THIS DOCUMENT CONTAINS PROPRIETARY INFORMATION AND SUCH INFORMATION MAY NOT BE DISCLOSED TO OTHERS FOR ANY PURPOSE OR USED FOR MANUFACTURING PURPOSES WITHOUT WRITTEN PERMISSION FROM AMPHENOL CANADA CORP.

UNLESS SPECIFIED OTHERWISE		DRAWN	Rose.Y	15-Dec-20
UNIT	MILLIMETERS	CHECKED	Chigow.X	15-Dec-20
REFERENCE IN PARENTHESES		M.E. APP'D	Andy.C	15-Dec-20
		Q.A. APP'D	Joe.P	15-Dec-20
GENERAL TOLERANCES		DWG. APP'D	Jason.S	15-Dec-20
1 DECIMAL PLACE	±0.25	ENG. REL. NO.	-	
2 DECIMAL PLACES	±0.15	REF.		
ANGULAR DEGREES	±1°	THIRD ANGLE PROJECTION		DO NOT SCALE DRAWING

<b>Amphenol High Speed Interconnects</b>			
A Division of Amphenol Corp. <a href="http://www.amphenol-highspeed.com">www.amphenol-highspeed.com</a>			
QSFP 112G 1X1 CAGE ASSEMBLY THRU BEZEL, WITH REAR PIN OPTIONS WITH LP OPTIONS WITH HEAT SINK OPTIONS			
DWG. NO.	P-V95-AAZ01		REV E
CODE ID NO.	03554	DWG SIZE: C	SCALE: 3:1 SHEET 3 OF 7

(P/N V95-AAZ01-03000A0 SHOWN)

PART NUMBER	DIM "A"
V95-AAZ01-02XXXXX	13.7 MAX
V95-AAZ01-03XXXXX	16.0 MAX
V95-AAZ01-04XXXXX	23.0 MAX
V95-AAZ01-05XXXXX	13.7 MAX
V95-AAZ01-06XXXXX	16.0 MAX
V95-AAZ01-07XXXXX	23.0 MAX
V95-AAZ01-08XXXXX	13.7 MAX
V95-AAZ01-09XXXXX	16.0 MAX
V95-AAZ01-10XXXXX	23.0 MAX
V95-AAZ01-11XXXXX	13.7 MAX
V95-AAZ01-12XXXXX	16.0 MAX
V95-AAZ01-13XXXXX	23.0 MAX
V95-AAZ01-14XXXXX	13.7 MAX
V95-AAZ01-15XXXXX	16.0 MAX
V95-AAZ01-16XXXXX	23.0 MAX
V95-AAZ01-17XXXXX	13.7 MAX
V95-AAZ01-18XXXXX	16.0 MAX
V95-AAZ01-19XXXXX	23.0 MAX



NOTES:

- MATERIAL:  
CAGE AND EMI SPRINGS: STAINLESS STEEL  
HEAT SINK: ALUMINUM ALLOY, NICKEL OR BLCAK ANODIZED.  
HEAT SINK CLIP: STAINLESS STEEL.  
DUST COVER: CONDUCTIVE RUBBER.
- DUST COVER IS SHIPPED AS A LOOSE PIECE IF ORDERED.

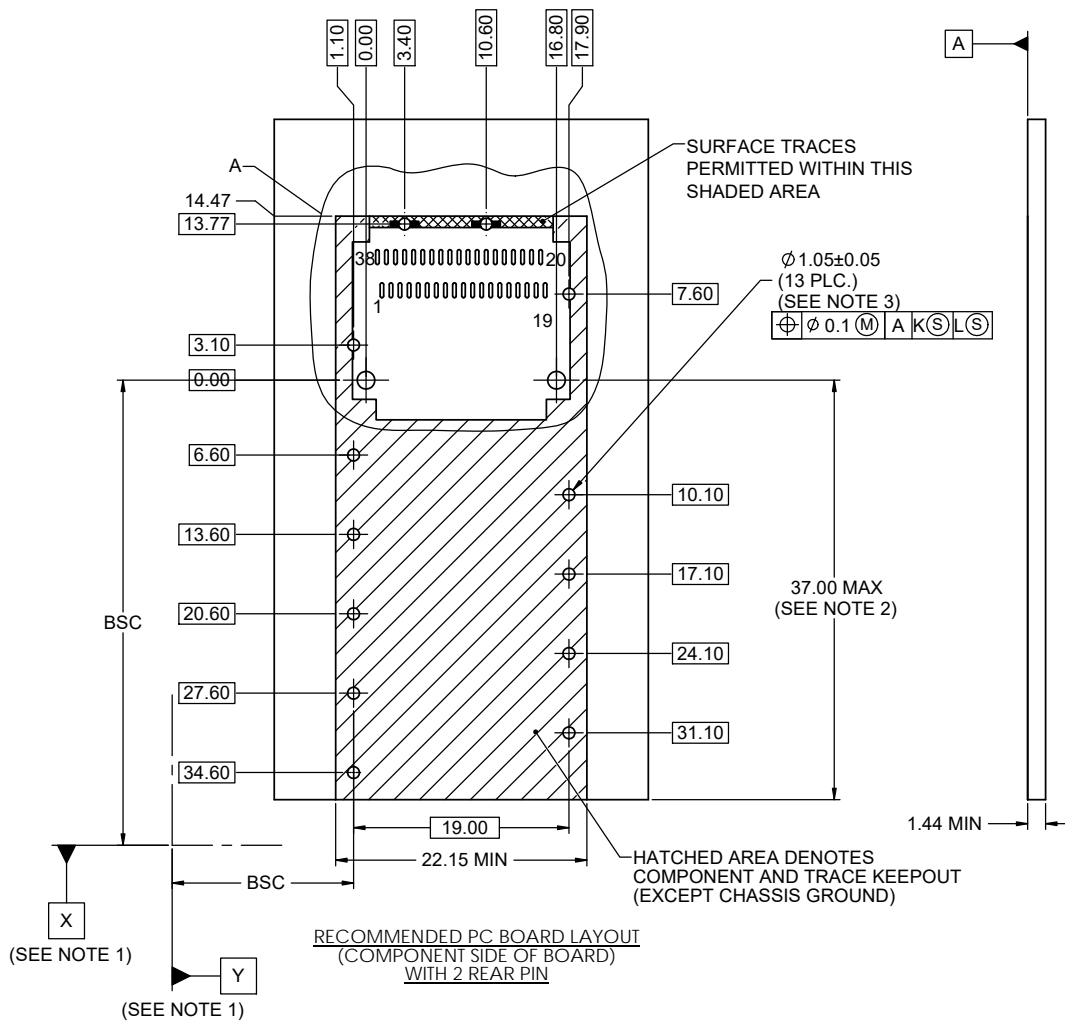
UNLESS SPECIFIED OTHERWISE		DRAWN	Rose.Y	15-Dec-20
UNIT	MILLIMETERS	CHECKED	Chigow.X	15-Dec-20
REFERENCE IN PARENTHESES		M.E. APP'D	Andy.C	15-Dec-20
		Q.A. APP'D	Joe.P	15-Dec-20
GENERAL TOLERANCES		DWG. APP'D	Jason.S	15-Dec-20
1 DECIMAL PLACE	±0.25	ENG. REL. NO.	-	
2 DECIMAL PLACES	±0.15	REF.		
ANGULAR DEGREES	±1°	THIRD ANGLE PROJECTION		
		DO NOT SCALE DRAWING		

**Amphenol High Speed Interconnects**  
A Division of Amphenol Corp. [www.amphenol-highspeed.com](http://www.amphenol-highspeed.com)

QSFP 112G 1X1 CAGE ASSEMBLY  
THRU BEZEL, WITH REAR PIN OPTIONS  
WITH LP OPTIONS  
WITH HEAT SINK OPTIONS

DWG. NO. **P-V95-AAZ01** REV **E**

CODE ID NO. **03554** DWG SIZE: **C** SCALE: **3:1** SHEET **4** OF **7**



- NOTES:
- DATUMS X AND Y ESTABLISHED BY CUSTOMER'S FIDUCIAL.
  - LOCATION OF EDGE OF PCB IS APPLICATION SPECIFIC.
  - FINISHED HOLE SIZE.

THIS DOCUMENT CONTAINS PROPRIETARY INFORMATION AND SUCH INFORMATION MAY NOT BE DISCLOSED TO OTHERS FOR ANY PURPOSE OR USED FOR MANUFACTURING PURPOSES WITHOUT WRITTEN PERMISSION FROM AMPHENOL CANADA CORP.

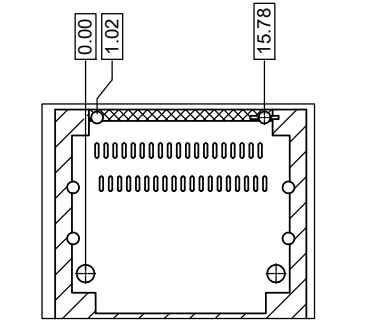
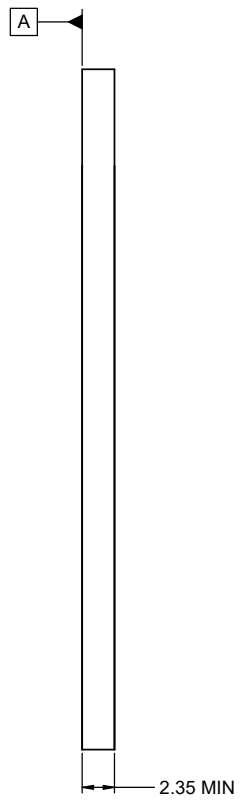
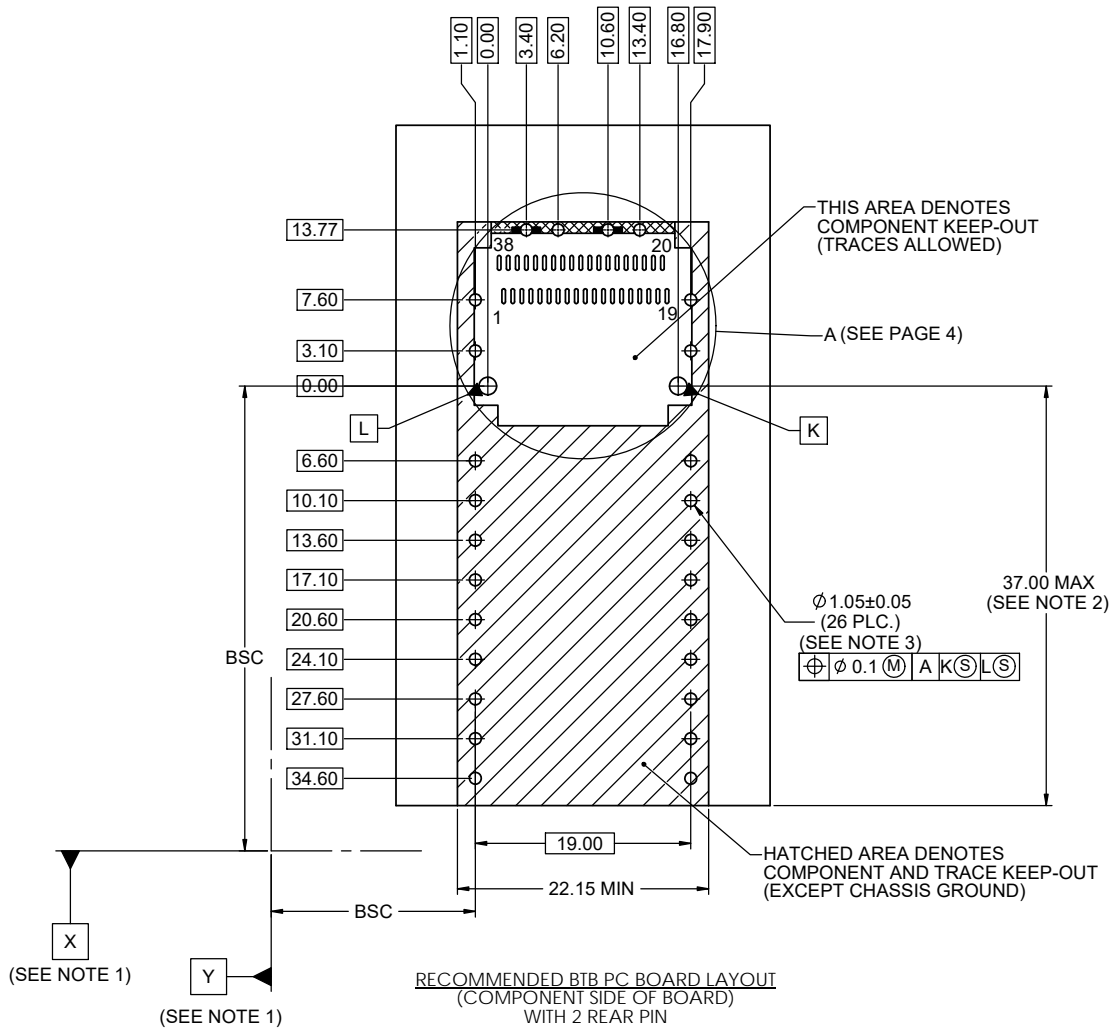
UNLESS SPECIFIED OTHERWISE		DRAWN	Rose.Y	15-Dec-20
UNIT	MILLIMETERS	CHECKED	Chigow.X	15-Dec-20
REFERENCE IN PARENTHESES		M.E. APP'D	Andy.C	15-Dec-20
		Q.A. APP'D	Joe.P	15-Dec-20
GENERAL TOLERANCES		DWG. APP'D	Jason.S	15-Dec-20
1 DECIMAL PLACE	±0.25	ENG. REL. NO.	-	
2 DECIMAL PLACES	±0.05	REF.		
ANGULAR DEGREES	±1°	THIRD ANGLE PROJECTION		

**Amphenol High Speed Interconnects**  
 A Division of Amphenol Corp. [www.amphenol-highspeed.com](http://www.amphenol-highspeed.com)

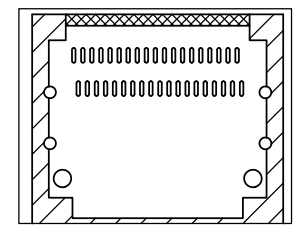
QSFP 112G 1X1 CAGE ASSEMBLY THRU BEZEL, WITH REAR PIN OPTIONS WITH LP OPTIONS WITH HEAT SINK OPTIONS

DWG. NO. **P-V95-AAZ01** REV **E**

CODE ID NO. 03554 DWG SIZE: C SCALE: 3:1 SHEET 5 OF 7



RECOMMENDED BTB PC BOARD LAYOUT  
(COMPONENT SIDE OF BOARD)  
WITH 1 REAR PIN



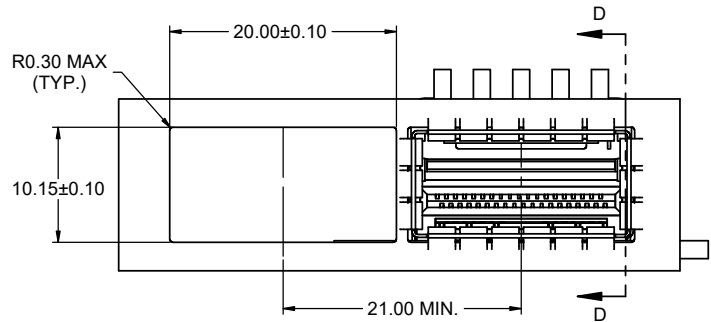
RECOMMENDED BTB PC BOARD LAYOUT  
(COMPONENT SIDE OF BOARD)  
WITHOUT REAR PIN

- NOTES:
- DATUMS X AND Y ESTABLISHED BY CUSTOMER'S FIDUCIAL.
  - LOCATION OF EDGE OF PCB IS APPLICATION SPECIFIC.
  - FINISHED HOLE SIZE.

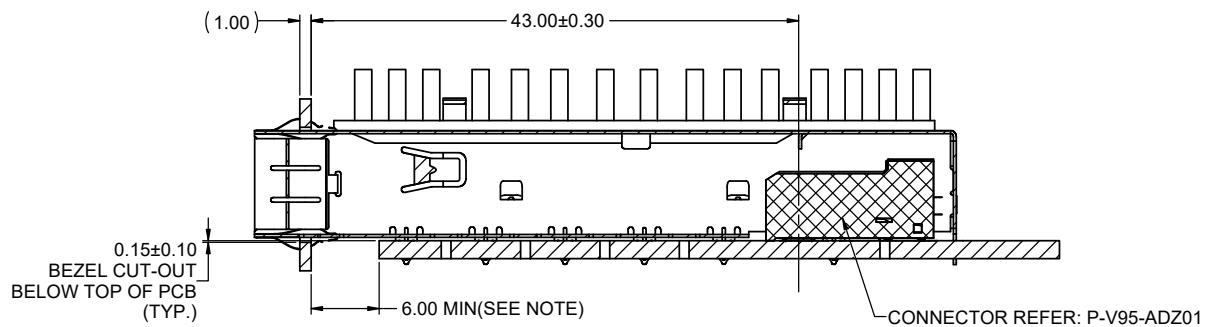
THIS DOCUMENT CONTAINS PROPRIETARY INFORMATION AND SUCH INFORMATION MAY NOT BE DISCLOSED TO OTHERS FOR ANY PURPOSE OR USED FOR MANUFACTURING PURPOSES WITHOUT WRITTEN PERMISSION FROM AMPHENOL CANADA CORP.

UNLESS SPECIFIED OTHERWISE	DRAWN	Rose.Y	15-Dec-20
UNIT	CHECKED	Chigow.X	15-Dec-20
REFERENCE IN PARENTHESES	M.E. APP'D	Andy.C	15-Dec-20
	Q.A. APP'D	Joe.P	15-Dec-20
GENERAL TOLERANCES	DWG APP'D	Jason.S	15-Dec-20
1 DECIMAL PLACE	ENG. REL. NO.	-	
2 DECIMAL PLACES	REF.		
ANGULAR DEGREES	THIRD ANGLE PROJECTION		
	DO NOT SCALE DRAWING		

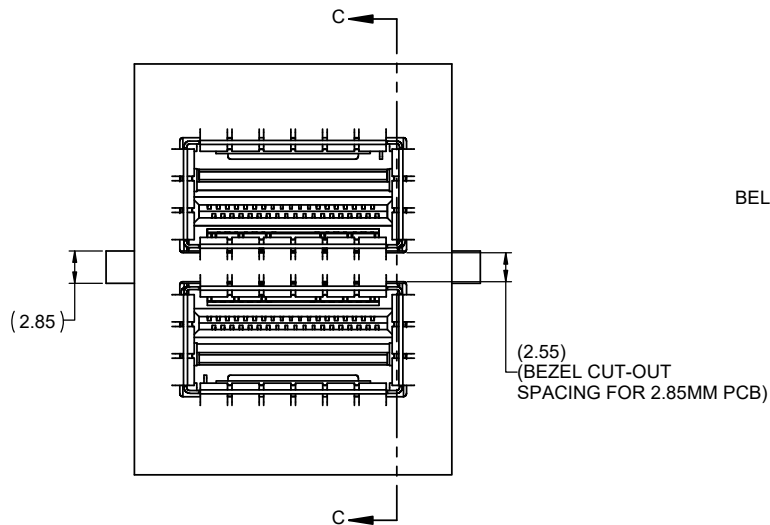
<b>Amphenol High Speed Interconnects</b> A Division of Amphenol Corp. <a href="http://www.amphenol-highspeed.com">www.amphenol-highspeed.com</a>			
QSFP 112G 1X1 CAGE ASSEMBLY THRU BEZEL, WITH REAR PIN OPTIONS WITH LP OPTIONS WITH HEAT SINK OPTIONS			
DWG. NO.	P-V95-AAZ01		REV E
CODE ID NO.	03554	DWG SIZE: C	SCALE: 3:1 SHEET 6 OF 7



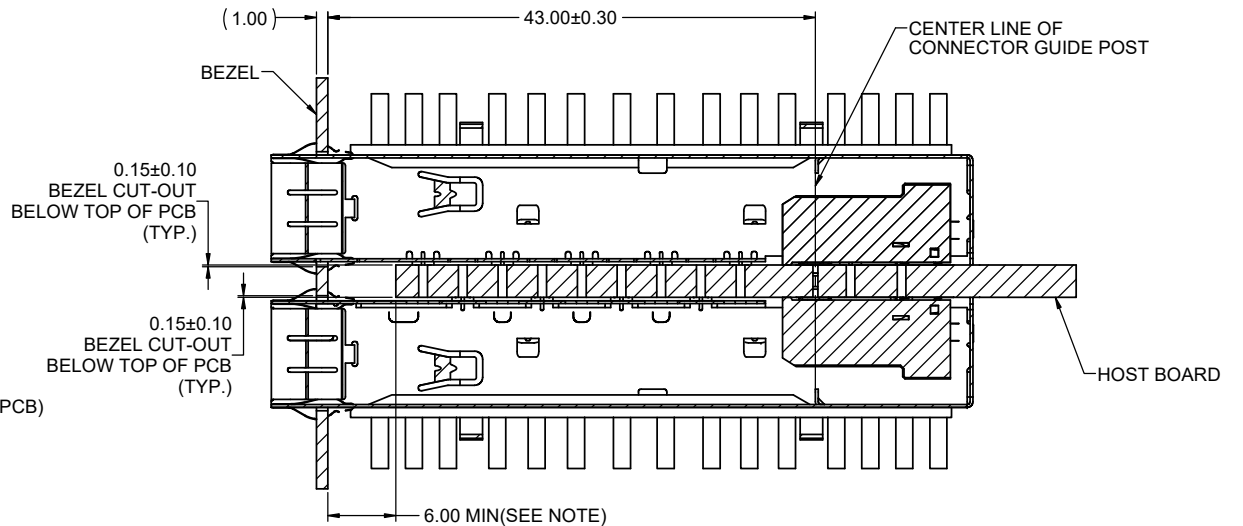
RECOMMENDED SINGLE SIDED MOUNTING DESIGN



SECTION D-D



RECOMMENDED BELLY-TO-BELLY MOUNTING DESIGN



SECTION C-C

NOTES:  
LOCATION OF EDGE OF PCB IS APPLICATION SPECIFIC.

THIS DOCUMENT CONTAINS PROPRIETARY INFORMATION AND SUCH INFORMATION MAY NOT BE DISCLOSED TO OTHERS FOR ANY PURPOSE OR USED FOR MANUFACTURING PURPOSES WITHOUT WRITTEN PERMISSION FROM AMPHENOL CANADA CORP.

UNLESS SPECIFIED OTHERWISE		DRAWN	Rose.Y	15-Dec-20
UNIT	MILLIMETERS	CHECKED	Chigow.X	15-Dec-20
REFERENCE IN PARENTHESES		M.E. APP'D	Andy.C	15-Dec-20
		Q.A. APP'D	Joe.P	15-Dec-20
GENERAL TOLERANCES		DWG. APP'D	Jason.S	15-Dec-20
1 DECIMAL PLACE	±0.25	ENG. REL. NO.	-	
2 DECIMAL PLACES	±0.10	REF.		
ANGULAR DEGREES	±1°	THIRD ANGLE PROJECTION		
		DO NOT SCALE DRAWING		

<b>Amphenol High Speed Interconnects</b>			
A Division of Amphenol Corp. <a href="http://www.amphenol-highspeed.com">www.amphenol-highspeed.com</a>			
QSFP 112G 1X1 CAGE ASSEMBLY THRU BEZEL, WITH REAR PIN OPTIONS WITH LP OPTIONS WITH HEAT SINK OPTIONS			
DWG. NO.	P-V95-AAZ01		REV E
CODE ID NO.	03554	DWG SIZE: C	SCALE: 3:1 SHEET 7 OF 7