

No. of Pin	DIMENSIONS					
	A	B	C	D	E	F
14	29.51	23.64	12.6	17.25	23.64	7.62
20	33.32	27.45	16.43	21.06	27.45	11.43
26	37.13	31.26	20.24	24.76	31.26	15.24
36	43.48	37.61	26.5	31.11	37.61	21.59
40	46.08	40.15	29.14	33.30	40.15	24.13
50	52.37	46.5	35.39	40.00	46.50	30.48
68	64.00	57.92	46.90	51.80	57.92	41.91
100	84.18	78.23	67.14	71.50	78.23	62.23

ELECTRICAL:

- Current Rating: 1 Amp
- Insulation Resistance: 500MΩ/Min
- Withstanding Voltage: 500V AC/Min
- Contact Resistance: 35mΩ Max
- Temperature Range: -55°C ~ +105°C

PART NO:

B03-XXX818XB-01

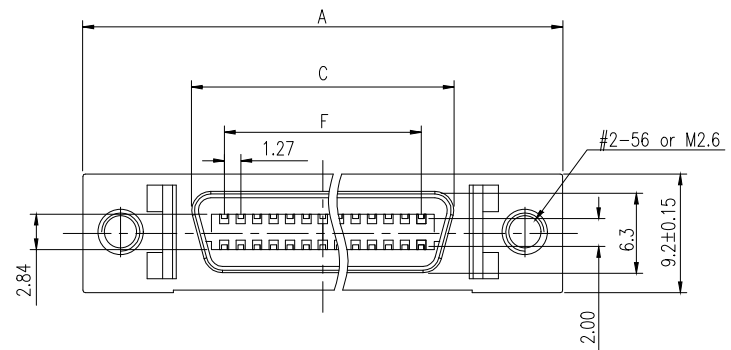
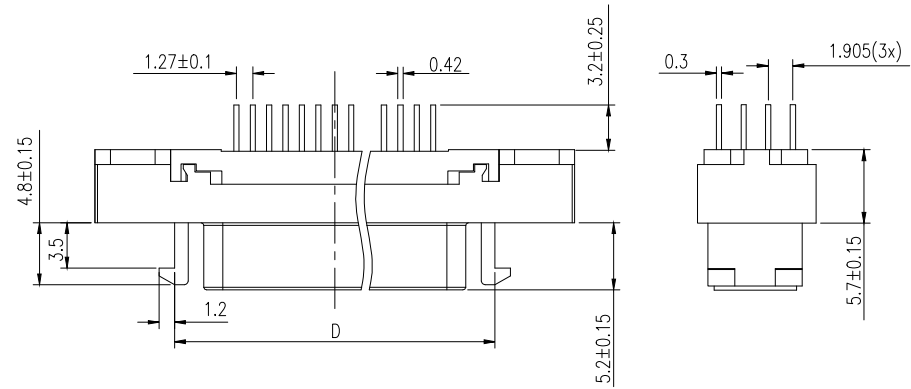
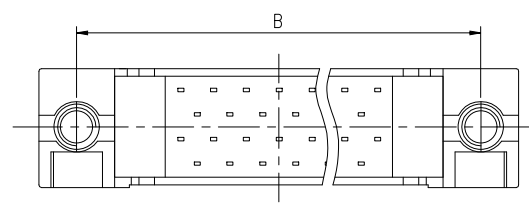
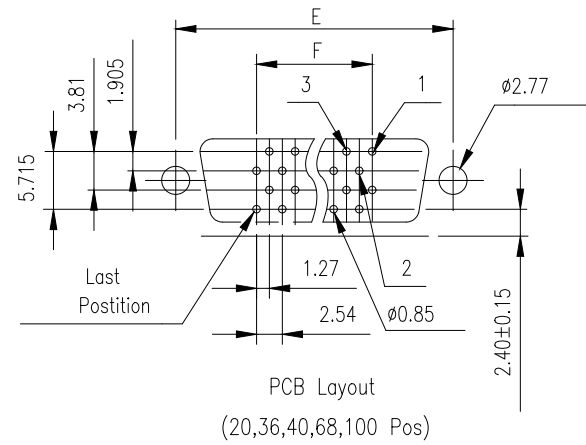
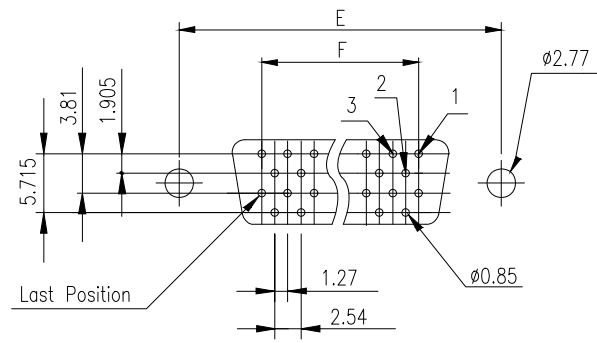
CONTACT AREA:

A:G/F
C:Au 3u"
H:Au 15u"

NO.OF CONTACT:

14 = 14 pos
2
100 = 100 pos

ITEM	DESC.	MATERIAL	REMARKS	PART REMARKS
3	HOUSING	PBT+30%GF	COLOR:BLACK	
2	SHELL	Zinc ALLOY	PLATING:Ni	
1	TERMINAL	COPPER ALLOY	CONTACT AREA:SEE NOTE SOLDER AREA:Sn UNDER-PLATING:Ni	



SIDE	DATE	DESCRIPTION	APPROVER	QUALITY SYMBOLS
△	2024/01/02	DIMENSIONAL CHANGE, AMENDED NAME	JACK CHEN	□: ☒:
△	2022/11/08	CORRECTION PCB LAYOUT	JACK CHEN	CRITICAL MAJOR
△	2010/09/18	NEW ISSUE	JINGLI	▽: ▽:
				ZERO DEFECT S.P.C

Tolerance		NAME:				PART NO.		DRAWING NO.	
x.	±0.60	SCSI FEMALE VERTICAL FOR PCB				B03-XXX818XB-01			
.x	±0.40	REV:	C	UNIT:	mm	DRW BY	CHK BY	APP BY	DRAWING NO. B03-008
.xx	±0.25	SCALE:	N:1	DATE:	2010/09/18	Huangmei	Jack Chen		