

© 2020 AMPHENOL CANADA CORP.

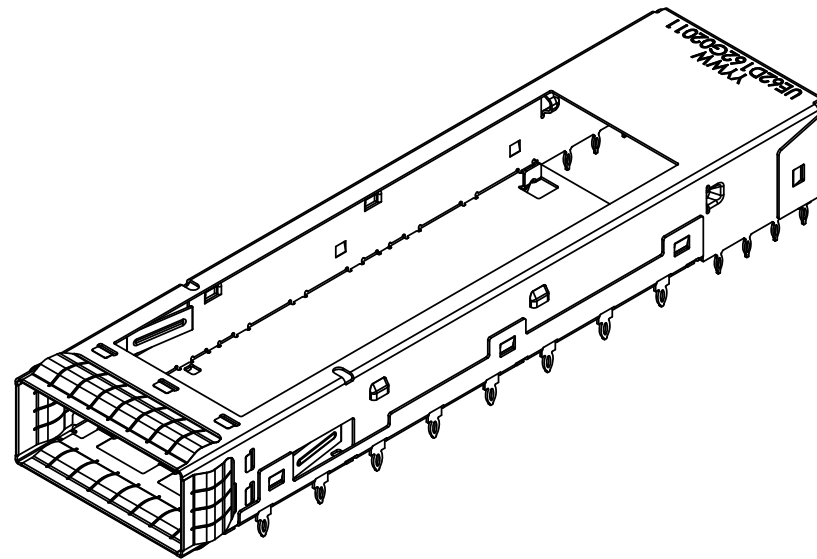
8 7 6 5 4 3 2 1

F
E
D
C
B
A

NOTES:

- 1) MATERIAL: COPPER ALLOY.
PLATING: NICKEL
- 2) PACKAGING: TRAY PACKAGING.
- 3) COMPLIES WITH OSFP MSA .
- 4) AMPHENOL PART NUMBER:
UE62-D162G-02011

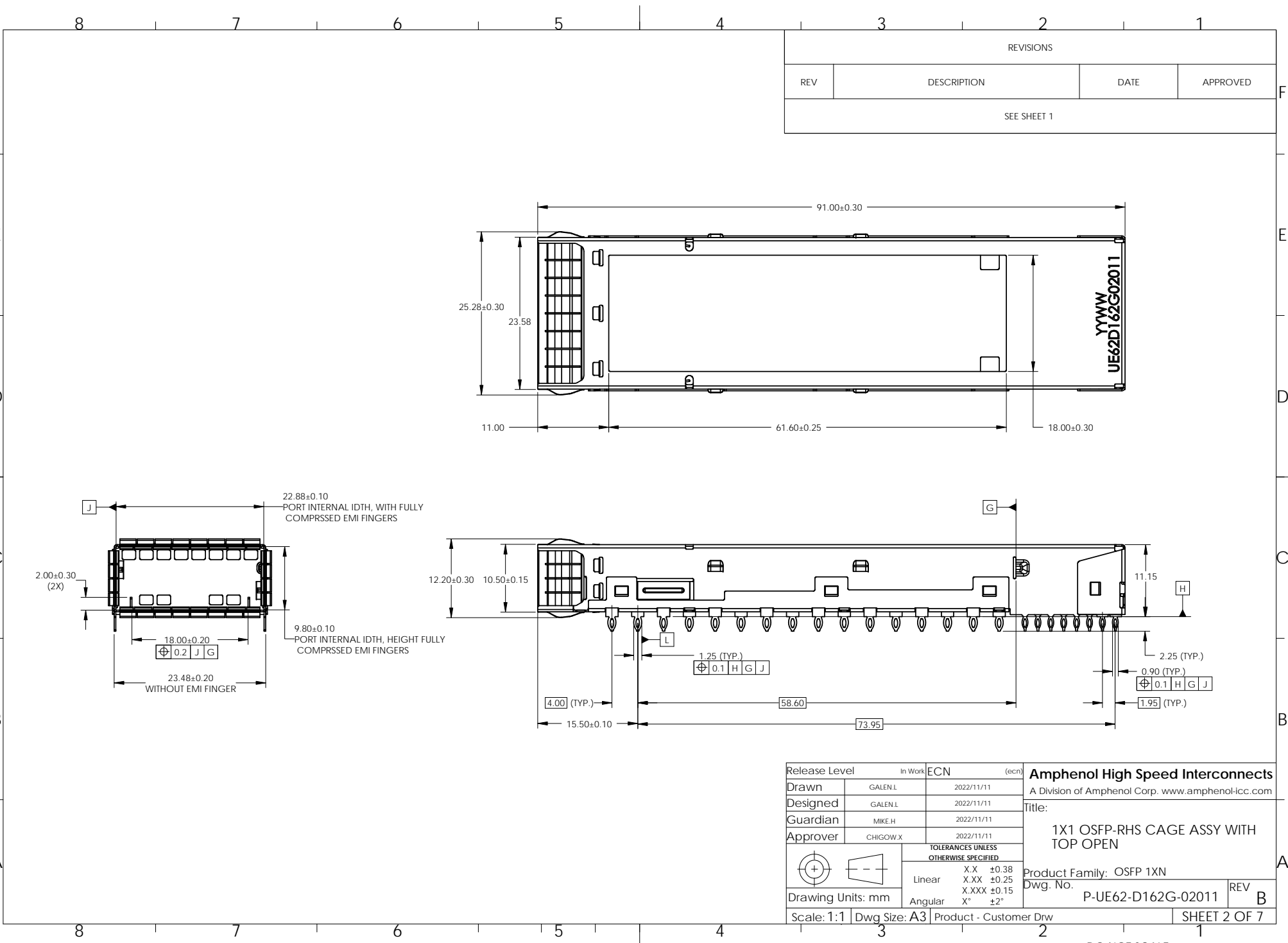
REVISIONS			
REV	DESCRIPTION	DATE	APPROVED
A	PROPOSAL	2022/11/11	J.SI
B	UPDATED DIMENSIONS	2023/5/15	Chigow.x



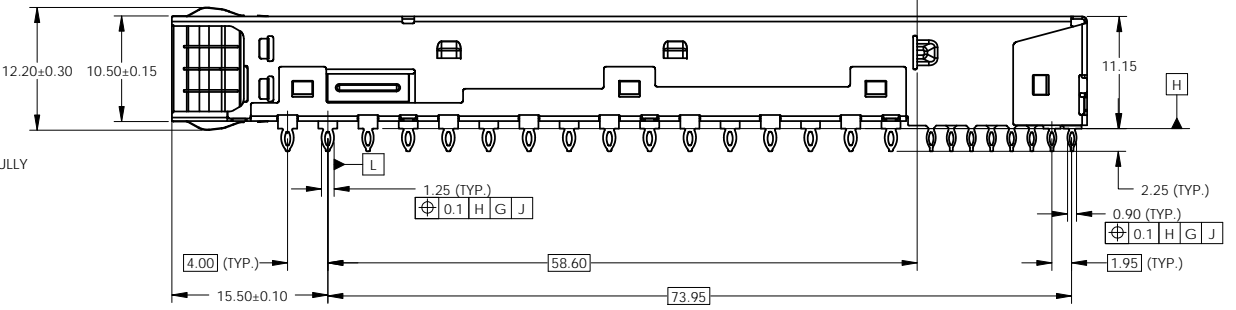
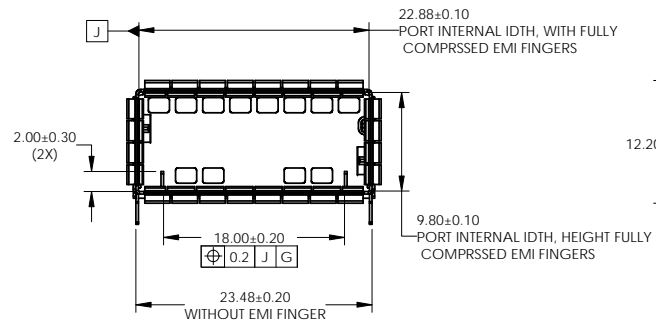
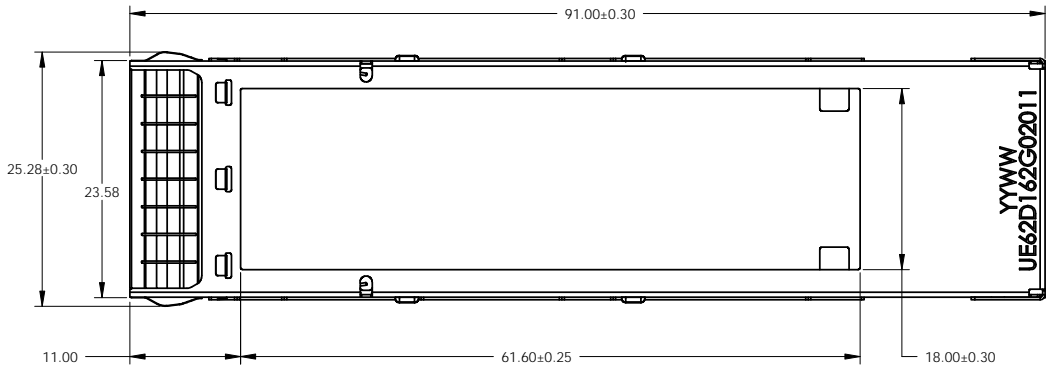
Release Level	In Work	ECN	(ecn)	Amphenol High Speed Interconnects A Division of Amphenol Corp. www.amphenol-hcc.com Title: 1X1 OSFP-RHS CAGE ASSY WITH TOP OPEN Product Family: OSFP 1XN Dwg. No. P-UE62-D162G-02011
Drawn	GALEN.L	2022/11/11		
Designed	GALEN.L	2022/11/11		
Guardian	MIKE.H	2022/11/11		
Approver	CHIGOW.X	2022/11/11		
		TOLERANCES UNLESS OTHERWISE SPECIFIED		Scale: 1:1 Dwg Size: A3 Product - Customer Drw SHEET 1 OF 7
Drawing Units: mm		Linear X.X ±0.38 X.XX ±0.25 X.XXX ±0.15 Angular X° ±2°	REV B	

DO NOT SCALE

© 2020 AMPHENOL CANADA CORP.

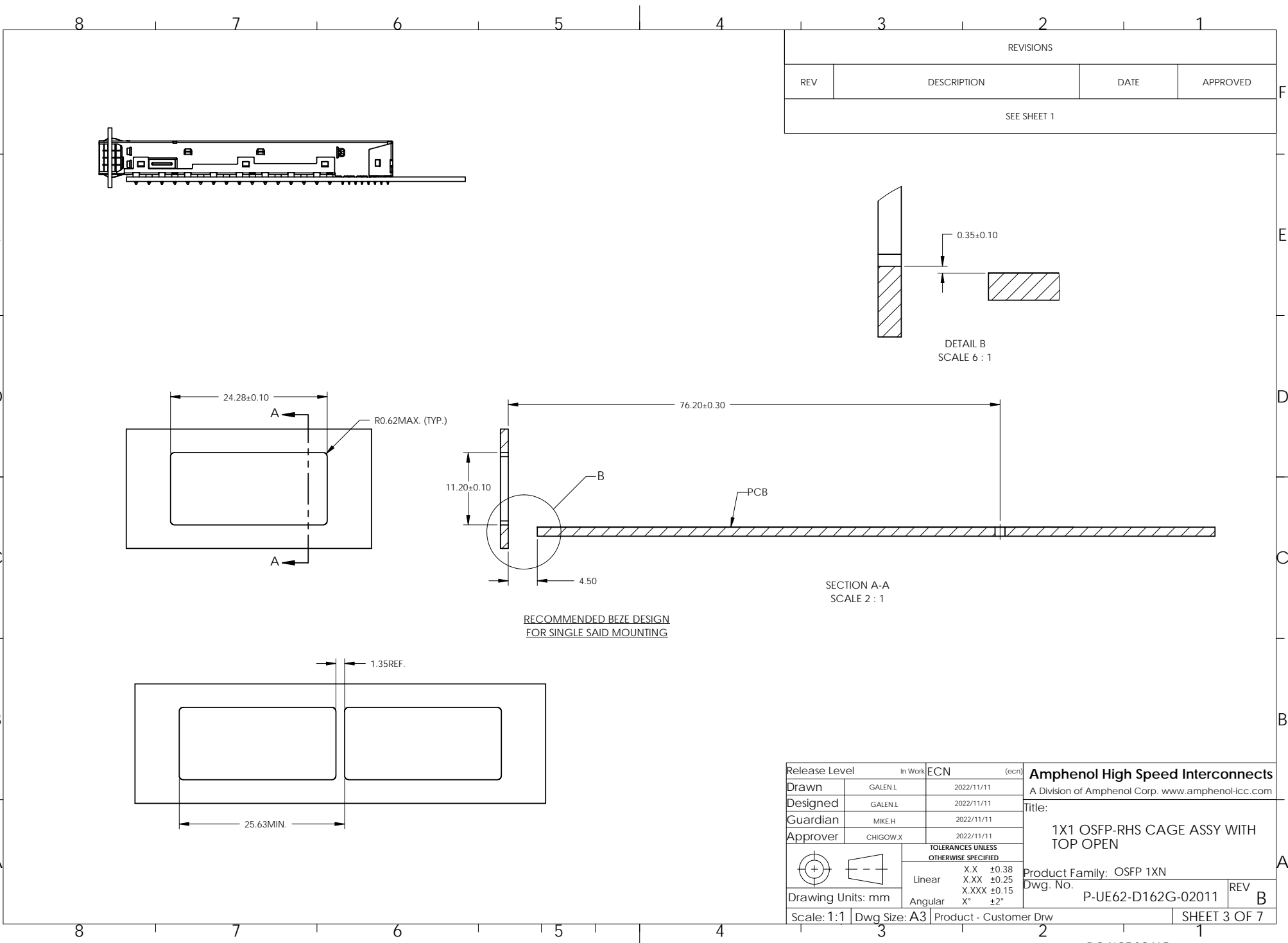


REVISIONS			
REV	DESCRIPTION	DATE	APPROVED
SEE SHEET 1			

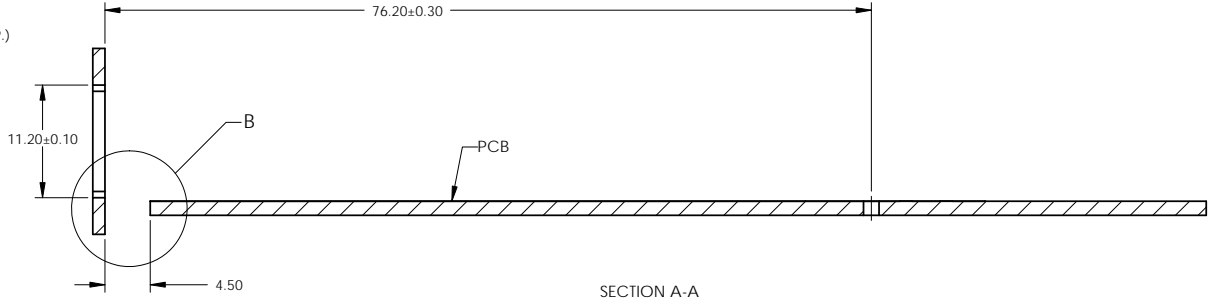
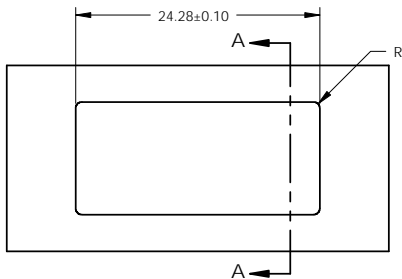
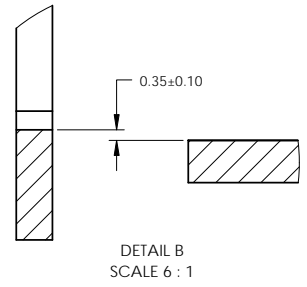


Release Level	In Work	ECN	(ecn)	Amphenol High Speed Interconnects A Division of Amphenol Corp. www.amphenol-icc.com Title: 1X1 OSFP-RHS CAGE ASSY WITH TOP OPEN Product Family: OSFP 1XN Dwg. No. P-UE62-D162G-02011
Drawn	GALEN.L	2022/11/11		
Designed	GALEN.L	2022/11/11		
Guardian	MIKE.H	2022/11/11		
Approver	CHIGOW.X	2022/11/11		
TOLERANCES UNLESS OTHERWISE SPECIFIED				REV B SHEET 2 OF 7
Drawing Units: mm		Linear	X.X ±0.38 X.XX ±0.25 X.XXX ±0.15	
Scale: 1:1		Angular	X° ±2°	
Dwg Size: A3		Product - Customer Drw		

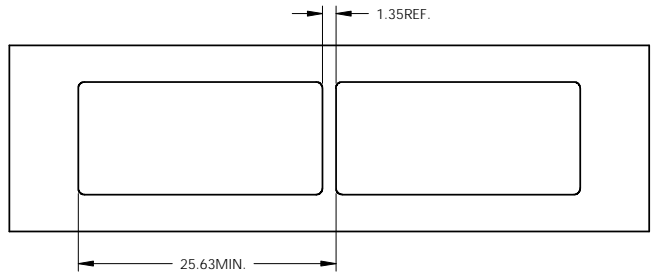
© 2020 AMPHENOL CANADA CORP.



REVISIONS			
REV	DESCRIPTION	DATE	APPROVED
SEE SHEET 1			

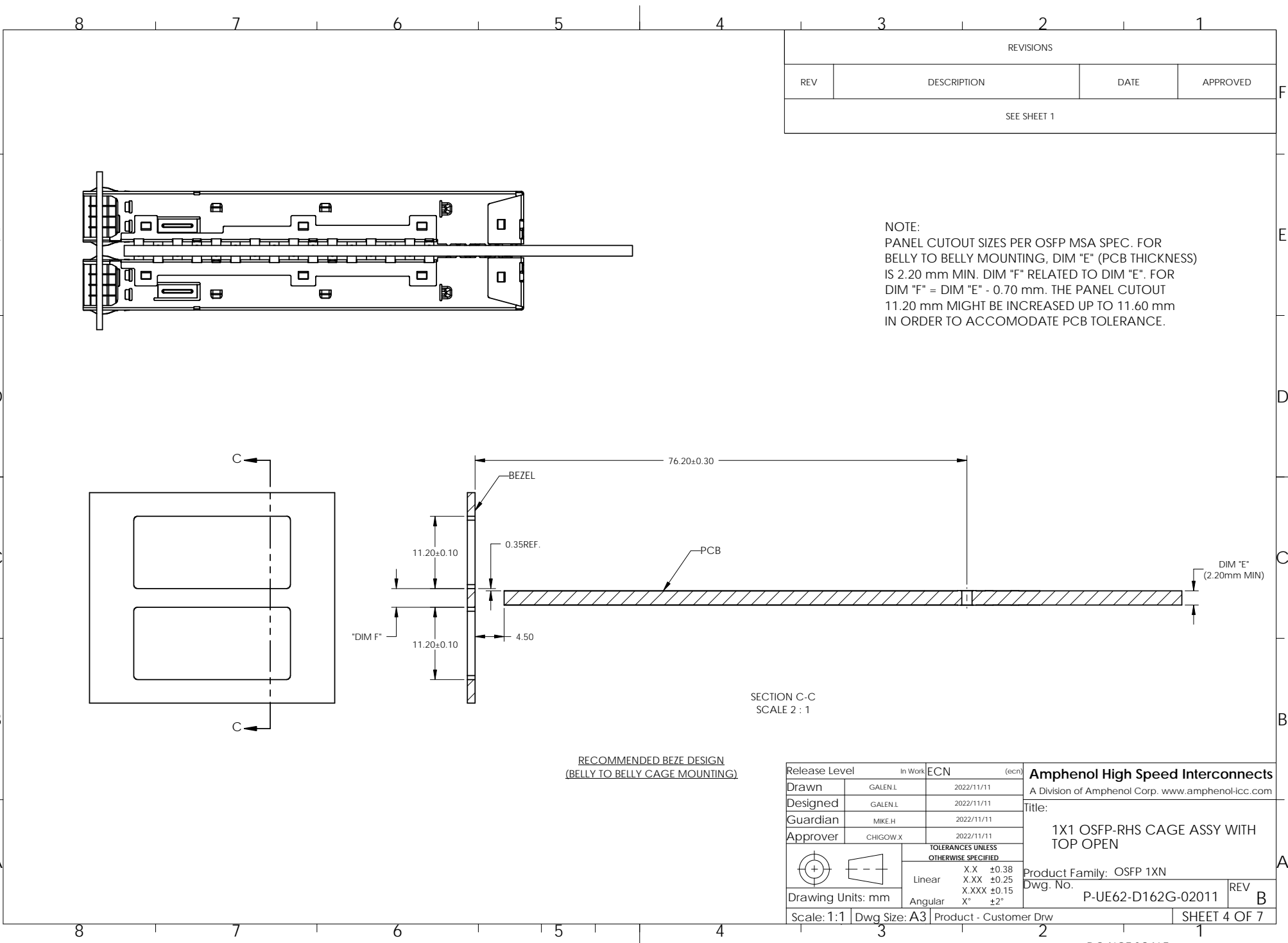


RECOMMENDED BEZE DESIGN FOR SINGLE SAID MOUNTING



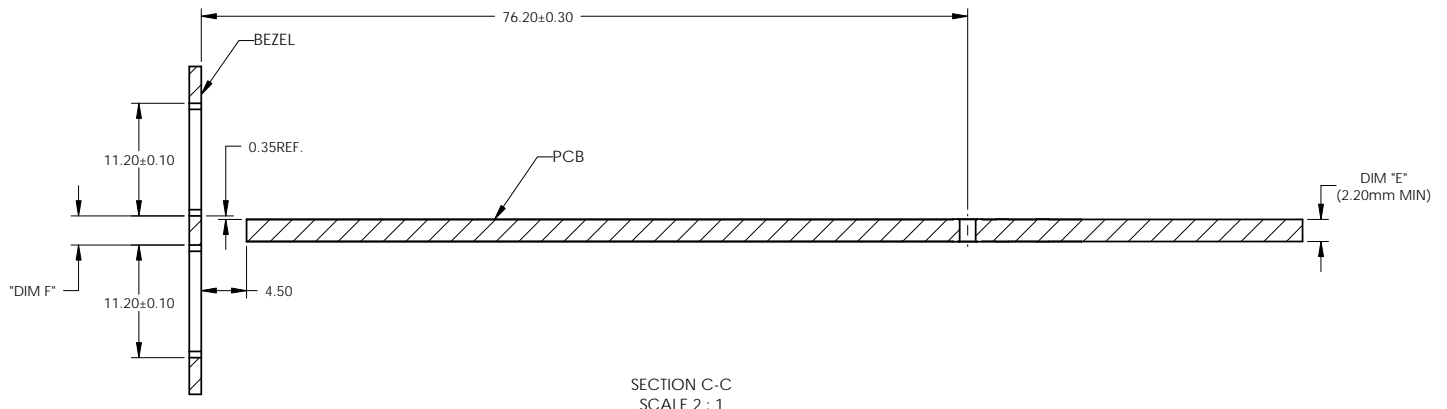
Release Level	In Work	ECN	(ecn)	Amphenol High Speed Interconnects A Division of Amphenol Corp. www.amphenol-hcc.com Title: 1X1 OSFP-RHS CAGE ASSY WITH TOP OPEN Product Family: OSFP 1XN Dwg. No. P-UE62-D162G-02011
Drawn	GALEN.L	2022/11/11		
Designed	GALEN.L	2022/11/11		
Guardian	MIKE.H	2022/11/11		
Approver	CHIGOW.X	2022/11/11		
TOLERANCES UNLESS OTHERWISE SPECIFIED				Scale: 1:1 Dwg Size: A3 Product - Customer Drw SHEET 3 OF 7
	Linear	X.X	±0.38	
		X.XX	±0.25	
		X.XXX	±0.15	
	Angular	X°	±2°	
Scale: 1:1 Dwg Size: A3 Product - Customer Drw SHEET 3 OF 7				REV B

© 2020 AMPHENOL CANADA CORP.



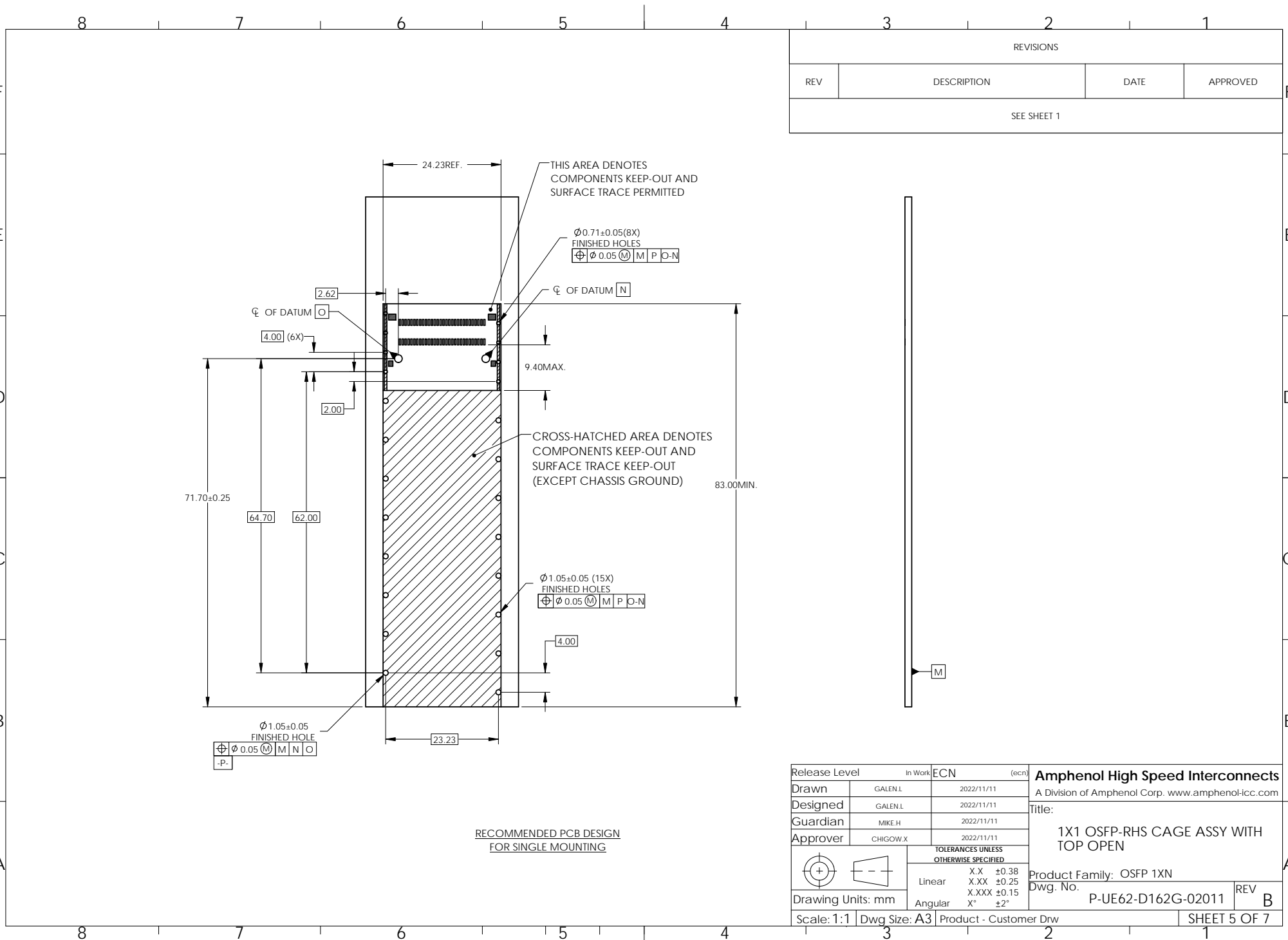
REVISIONS			
REV	DESCRIPTION	DATE	APPROVED
SEE SHEET 1			

NOTE:
 PANEL CUTOUT SIZES PER OSFP MSA SPEC. FOR BELLY TO BELLY MOUNTING, DIM "E" (PCB THICKNESS) IS 2.20 mm MIN. DIM "F" RELATED TO DIM "E". FOR DIM "F" = DIM "E" - 0.70 mm. THE PANEL CUTOUT 11.20 mm MIGHT BE INCREASED UP TO 11.60 mm IN ORDER TO ACCOMODATE PCB TOLERANCE.



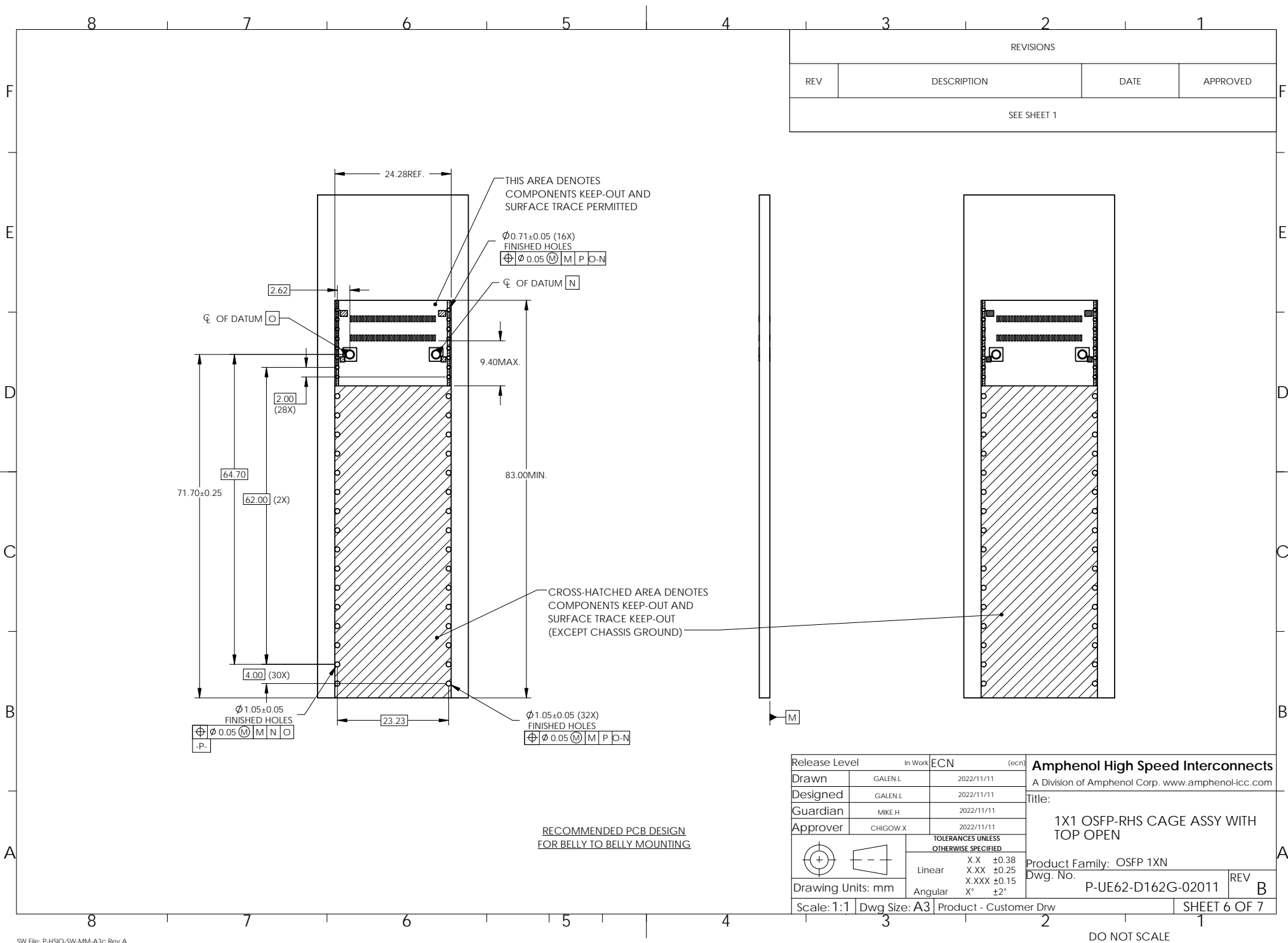
RECOMMENDED BEZE DESIGN
 (BELLY TO BELLY CAGE MOUNTING)

Release Level	In Work	ECN	(ecn)	Amphenol High Speed Interconnects A Division of Amphenol Corp. www.amphenol-icc.com Title: 1X1 OSFP-RHS CAGE ASSY WITH TOP OPEN Product Family: OSFP 1XN Dwg. No. P-UE62-D162G-02011
Drawn	GALEN.L	2022/11/11		
Designed	GALEN.L	2022/11/11		
Guardian	MIKE.H	2022/11/11		
Approver	CHIGOW.X	2022/11/11		
Drawing Units: mm		TOLERANCES UNLESS OTHERWISE SPECIFIED Linear X.X ±0.38 X.XX ±0.25 X.XXX ±0.15 Angular X° ±2°		REV B
Scale: 1:1	Dwg Size: A3	Product - Customer Dwg		SHEET 4 OF 7



Release Level	In Work	ECN	(ecm)	Amphenol High Speed Interconnects A Division of Amphenol Corp. www.amphenol-icc.com Title: 1X1 OSFP-RHS CAGE ASSY WITH TOP OPEN Product Family: OSFP 1XN Dwg. No. P-UE62-D162G-02011
Drawn	GALEN.L	2022/11/11		
Designed	GALEN.L	2022/11/11		
Guardian	MIKE.H	2022/11/11		
Approver	CHIGOW.X	2022/11/11		
TOLERANCES UNLESS OTHERWISE SPECIFIED Linear X.X ±0.38 X.XX ±0.25 X.XXX ±0.15 Angular X° ±2°				
Drawing Units: mm		Scale: 1:1		REV B
Dwg Size: A3			Product - Customer Drw	SHEET 5 OF 7

© 2020 AMPHENOL CANADA CORP.



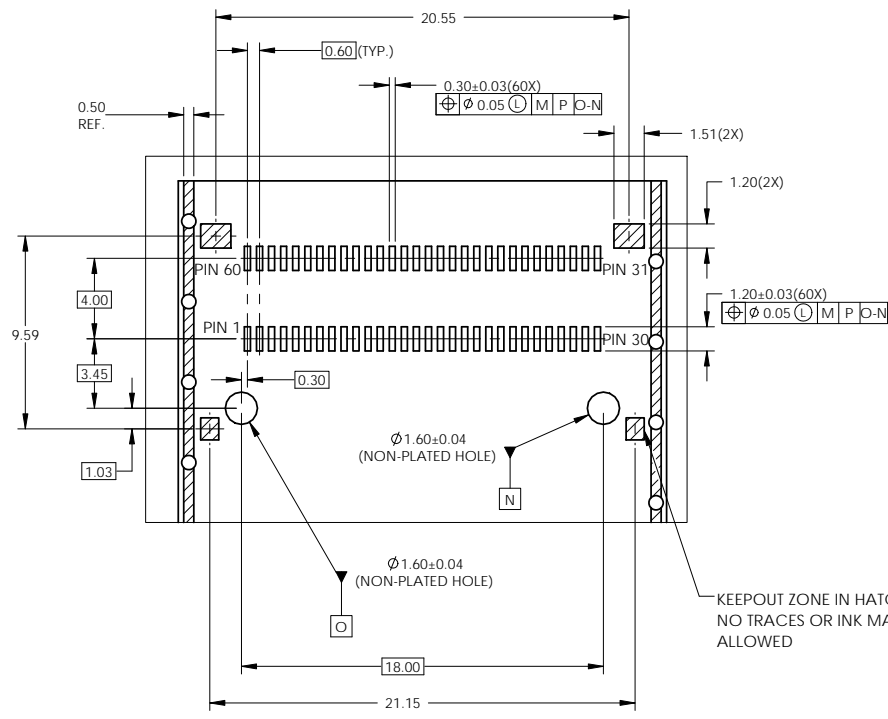
REVISIONS			
REV	DESCRIPTION	DATE	APPROVED
SEE SHEET 1			

RECOMMENDED PCB DESIGN
FOR BELLY TO BELLY MOUNTING

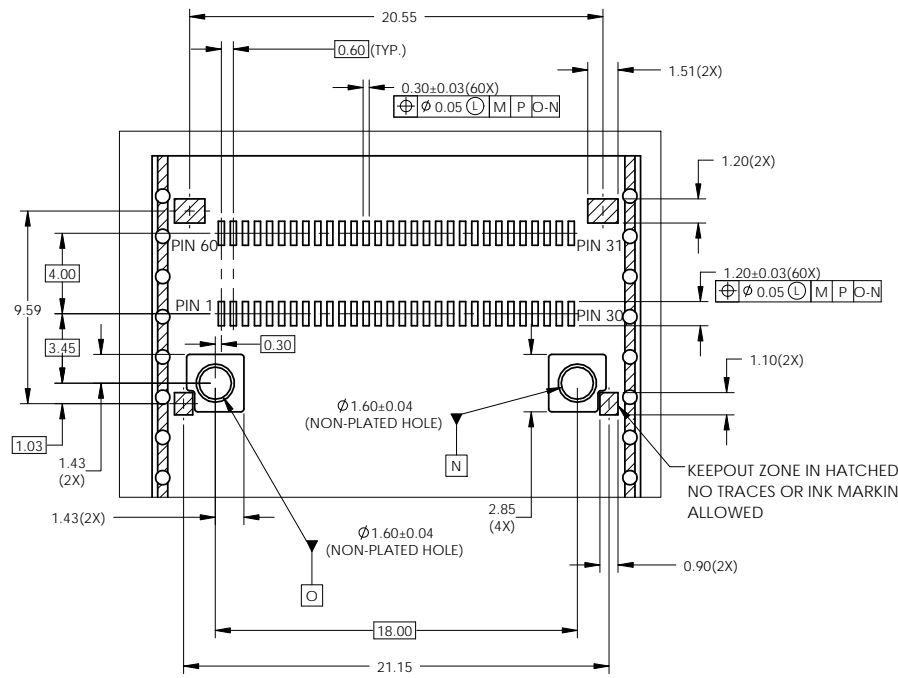
Release Level	In Work	ECN	(ecn)	Amphenol High Speed Interconnects A Division of Amphenol Corp. www.amphenol-hcc.com Title: 1X1 OSFP-RHS CAGE ASSY WITH TOP OPEN Product Family: OSFP 1XN Dwg. No. P-UE62-D162G-02011
Drawn	GALEN.L	2022/11/11		
Designed	GALEN.L	2022/11/11		
Guardian	MIKE.H	2022/11/11		
Approver	CHIGOW.X	2022/11/11		
TOLERANCES UNLESS OTHERWISE SPECIFIED				
		Linear	X.X ±0.38 X.XX ±0.25 X.XXX ±0.15	
		Angular	X° ±2°	
		Scale: 1:1 Dwg Size: A3 Product - Customer Dwg SHEET 6 OF 7		

© 2020 AMPHENOL CANADA CORP.

REVISIONS			
REV	DESCRIPTION	DATE	APPROVED
SEE SHEET 1			



RECOMMENDED PCB DESIGN
FOR SINGLE MOUNTING



RECOMMENDED PCB DESIGN
FOR BELLY TO BELLY MOUNTING

Release Level	In Work	ECN	(ecn)	Amphenol High Speed Interconnects A Division of Amphenol Corp. www.amphenol-hcc.com Title: 1X1 OSFP-RHS CAGE ASSY WITH TOP OPEN Product Family: OSFP 1XN Dwg. No. P-UE62-D162G-02011
Drawn	GALEN.L	2022/11/11		
Designed	GALEN.L	2022/11/11		
Guardian	MIKE.H	2022/11/11		
Approver	CHIGOW.X	2022/11/11		
				TOLERANCES UNLESS OTHERWISE SPECIFIED Linear X.X ±0.38 X.XX ±0.25 X.XXX ±0.15 Angular X° ±2°
Scale: 4:1	Dwg Size: A3	Product - Customer Dwg		
				REV B
				SHEET 7 OF 7