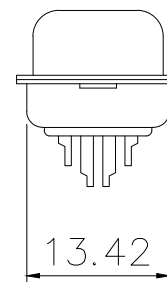
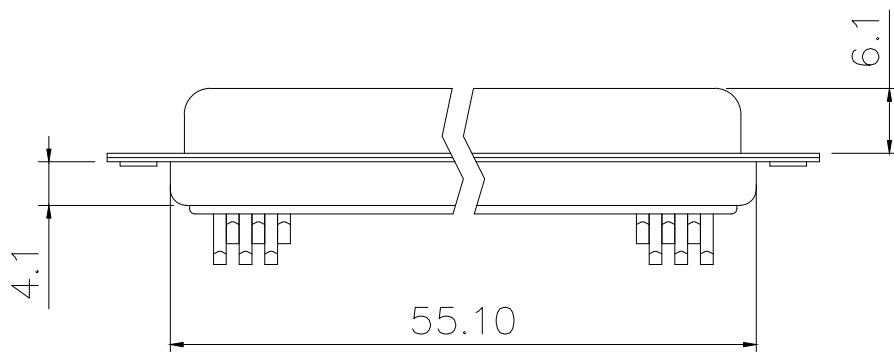


Voltage Current Rating:5 AMP.  
 Dielectric Withstanding Voltage:1000V AC  
 Insulation Resistance:1000M $\Omega$  Min.  
 Temperature Range:-25 $^{\circ}$ C to +85 $^{\circ}$ C

PART NO: B04-0784X14N-02

HOUSING COLOR:  
 1 = BLACK  
 5 = WHITE  
 TERMINAL PLATING:  
 4:FULL GOLD 2u"  
 5:FULL GOLD 1u"



4	REAR SHELL	SPCC	PALTING:Sn
3	FRONT SHELL	SPCC	PALTING:Ni
2	HOUSING	PBT+30%GF	COLOR:SEE PART NO.
1	TERMINAL	COPPER ALLOY	PLATING:SEE PART NO.
ITEM	DESC.	MATERIAL	REMAKS

△	2022/05/22	Add the plating type of the terminal	Jack Chen
△	2010/06/03	NEW ISSUE	JINGLI
SIDE	DATE	DESCRIPTION	APPROVER

QUALITY SYMBOLS  
 □: CRITICAL  
 ▽: ZERO DEFECT  
 ☒: MAJOR  
 ▽: S.P.C

Tolerance  
 .x: ±0.50  
 .x: ±0.30  
 .xx: ±0.25

NAME:	HD. D-SUB 78P母头车针焊线式 (客户用图)				PART NO.	B04-0784X14N-02		
REV:	B	UNIT:	mm	DRW BY	CHK BY	APP BY	DRAWING NO.	
SCALE:	N:1	DATE:	2010/06/03	Huangmei	Jack Chen		B04-008	

lineconn 东莞市林诚塑胶电子有限公司 <http://www.lineconn.com>  
 TEL:0769-85181660 85181770