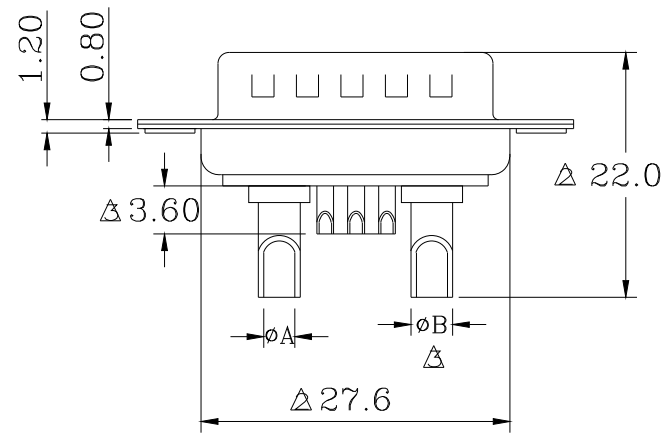


High Power Contact Current Rating:
10,20 or 40AMPS
High Power Contact Resistance:
2.7 Milliohms Max.
Dielectric Withstanding Voltage:
1000V AC For 1 Minute
Insulation Resistance:5000MΩ Min.
Temperature Range:-25°C to +85°C

PART NO:
B08-7W231140-X1

Current Rating: _____
A = 10 AMPS Dim.A ø1.7, Dim.B ø2.5
B = 20 AMPS Dim.A ø2.8, Dim.B ø3.6
C = 30 AMPS Dim.A ø3.2, Dim.B ø4.0
D = 40 AMPS Dim.A ø4.6, Dim.B ø5.5



4	HOUSING	PBT+30%GF	COLOR:BLACK	
3	REAR SHELL	SPCC	PLATING:Sn	
2	FRONT SHELL	SPCC	PLATING:Ni	
1	TERMINAL	BRASS	TERMINAL FINISH:FULL GOLD FINISHED 2u"	
ITEM	DESC.	MATERIAL	REMAKS	PART REMAKS

A	△	2023/02/09	增加端子杯口长度标注及大电流端子直径标注	JACK CHEN	QUALITY SYMBOLS □: ☒: CRITICAL MAJOR ▽: ▽: ZERO DEFECT S.P.C	Tolerance x: ±0.60 .x ±0.40 .xx ±0.25	NAME: 7W2公头焊线式光孔 POWER D-SUB (客户用图)				PART NO.	B08-7W231140-X1		
	△	2021/06/22	增加尺寸标注	DEAN			REV:	C	UNIT:	mm	DRW BY	CHK BY	APP BY	DRAWING NO.
	△	2012/11/19	NEW ISSUE	JINGLI			SCALE:	N:1	DATE:	2012/11/19	Huangmei	Jack Chen		B08-014
	SIDE	DATE	DESCRIPTION	APPROVER			东莞市林诚塑胶电子有限公司 http://www.lineconn.com TEL:0769-85181660 85181770							

东莞市林诚塑胶电子有限公司 http://www.lineconn.com TEL:0769-85181660 85181770											
--	--	--	--	--	--	--	--	--	--	--	--