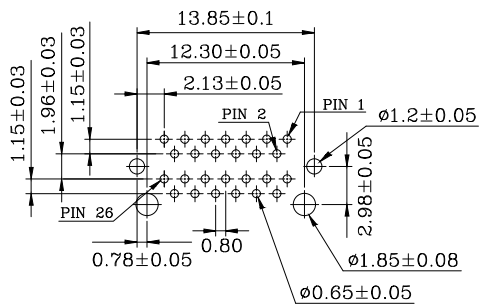
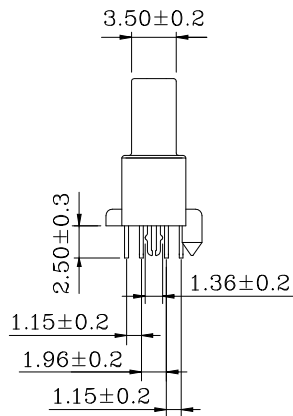
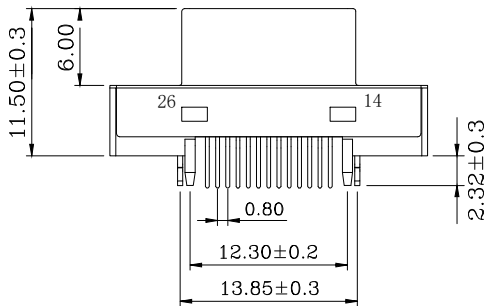
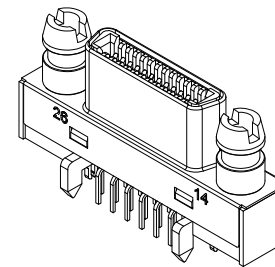
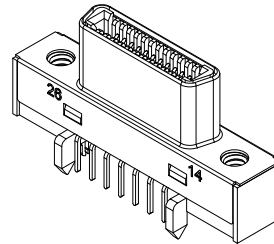


M2.0/M2.0



PCB Layout

Contact Current Voltage:125V  
 Contact Current Rating:0.5AMP  
 Contact Resistance: 70mΩ/MAX  
 Dielectric Withstanding Voltage:350V AC  
 Insulation Resistance:>1000MΩ/Min  
 Temperature Range:-55°C to +85°C

ITEM	DESC.	MATERIAL	REMARKS	PART REMARKS
6	SCREWS NUT	COPPER	PALTING: Ni	
5	NUT	STEEL	PALTING: Ni	
4	BOARDLOCK	BRASS	PALTING: Sn	
3	SHELL	STEEL	PALTING: Ni	
2	HOUSING	PA9T UL94V-0	COLOR: BLACK	
1	TERMINAL	COPPER ALLOY	CONTACT AREA: Sn SOLDER AREA: Au 5u"	

QUALITY SYMBOLS

□:      ☒:      CRITICAL      MAJOR      ZERO DEFECT      S.P.C

Tolerance

.x      ±0.60  
.x      ±0.40  
.xx      ±0.25

NAME:

SDR 26P (0.8mm) 母头180度直插

PART NO.

B06-026811EA-01

REV:

A

UNIT:

mm

DRW BY

CHK BY

APP BY

DRAWING NO.

SCALE:

N:1

DATE:

2022/04/22

Huangmei

Jack Chen

B06-029



东莞市林诚塑胶电子有限公司

http://www.lineconn.com

TEL:0769-85181660 85181770

△

2022/04/22

NEW ISSUE

Jack Chen

SIDE

8

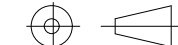
DATE

DESCRIPTION

APPROVER

ZERO DEFECT

S.P.C



4

Lineconn

东莞市林诚塑胶电子有限公司

http://www.lineconn.com

TEL:0769-85181660 85181770