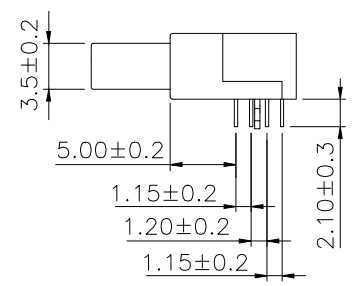
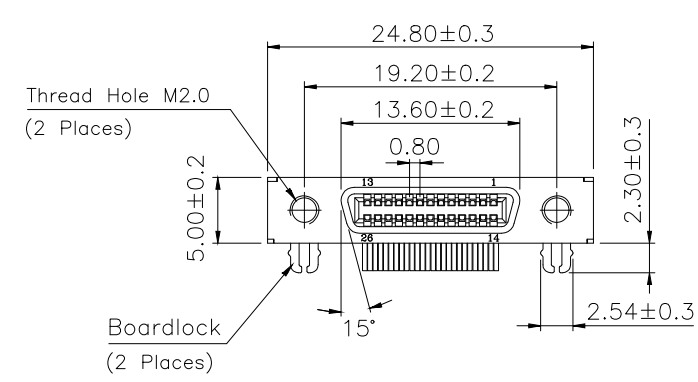
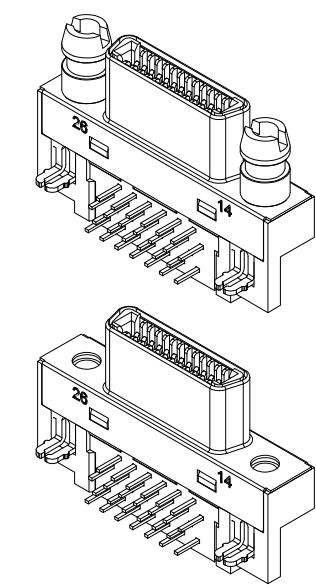
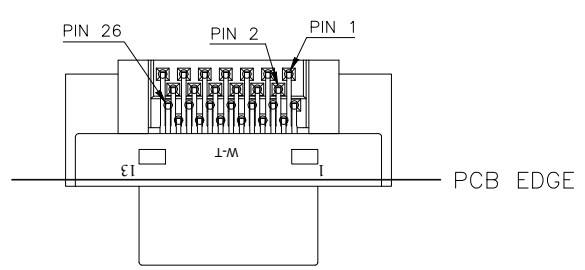


PCB Layout



Contact Current Voltage: 125V AC
 Current Rating: 0.5 Amp
 Insulation Resistance: 1000MΩMin
 Withstanding Voltage: 350V AC
 Contact Resistance: 70mΩMax
 Temperature Range: -55°C ~ +125°C



| ITEM | DESC. | MATERIAL | REMARKS |
|------|------------|-----------------|--|
| 6 | NUT | COPPER ALLOY | PLATING:Ni |
| 5 | BOARD LOCK | COPPER ALLOY | PLATING:Ni |
| 4 | COVER | PA 9T+33%GF | COLOR:BLACK |
| 3 | HOUSING | PA 9T+33%GF | COLOR:BLACK |
| 2 | SHELL | SPCC | PLATING:Ni |
| 1 | TERMINAL | PHOSPHOR BRONZE | CONTACT AREA:Au 30u" SOLDER AREA:Sn UNDER-PLATING:Ni |

| | | | |
|------|------------|-------------|-----------|
| △ | 2022/11/21 | NEW ISSUE | JACK CHEN |
| SIDE | DATE | DESCRIPTION | APPROVER |
| 8 | 7 | 6 | 5 |

| | | | |
|-----------------|-------|-----------|-------|
| QUALITY SYMBOLS | | Tolerance | |
| □ : | ⊗ : | .x | ±0.60 |
| CRITICAL | MAJOR | .x | ±0.40 |
| ▽ : | ▽ : | .xx | ±0.25 |
| ZERO DEFECT | S.P.C | | |

| | | | | | | | | |
|---------------|-------------------------|-------|------------|---|-----------|-----------------|-------------|--|
| NAME: | SDR 26P (0.8mm) 母头90度弯插 | | | | PART NO. | B06-026611KA-02 | | |
| REV: | A | UNIT: | mm | DRW BY | CHK BY | APP BY | DRAWING NO. | |
| SCALE: | N:1 | DATE: | 2022/11/21 | Huangmei | Jack Chen | | B06-030 | |
| 东莞市林诚塑胶电子有限公司 | | | | http://www.lineconn.com TEL:0769-85181660 85181770 | | | | |
| 8 | 7 | 6 | 5 | 4 | 3 | 2 | 1 | |