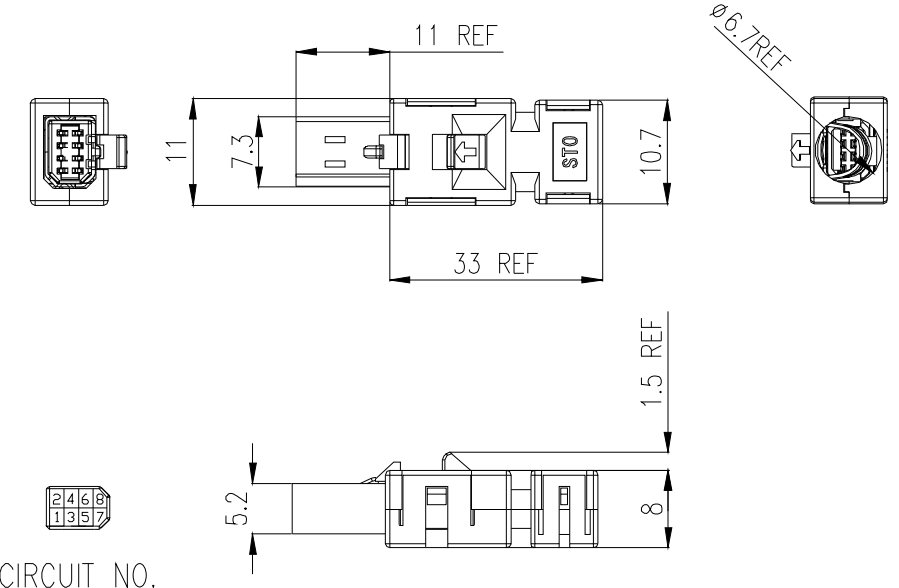
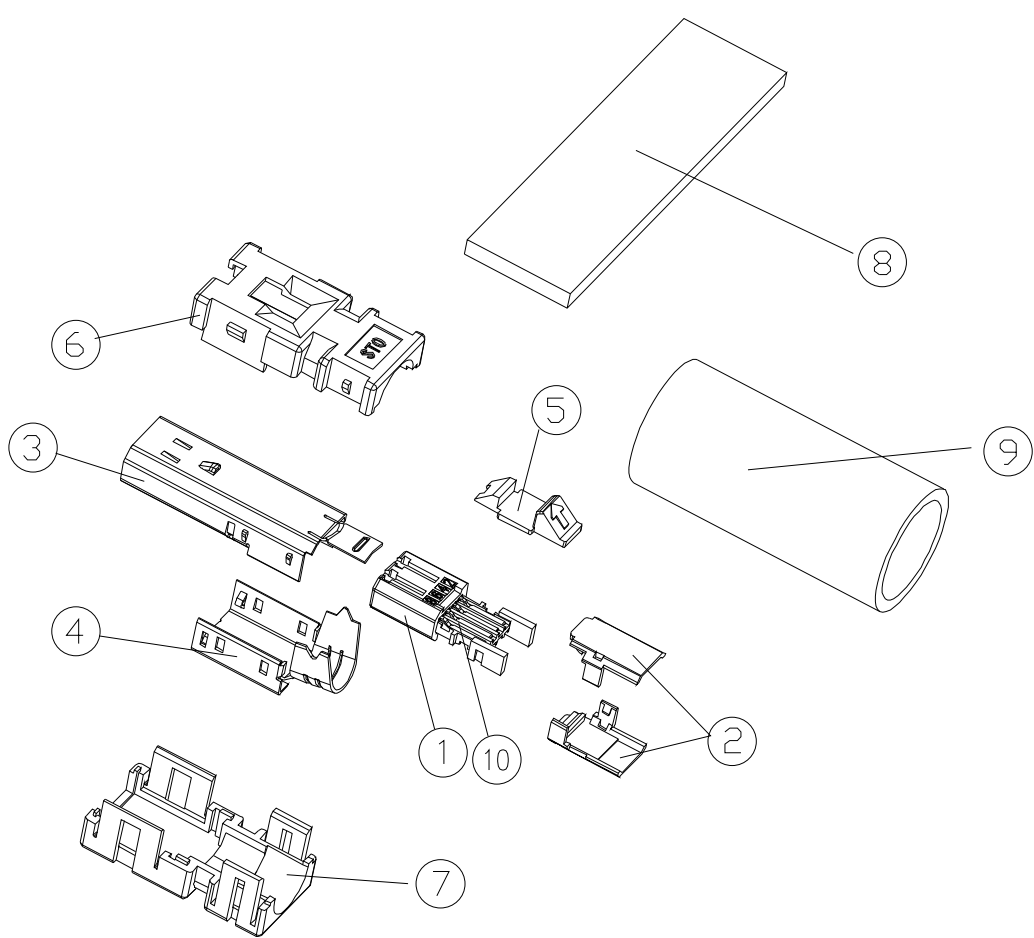


8 7 6 5 4 3 2 1



CIRCUIT NO.

10	HOUSING	PBT UL94V-0	COLOR: BLACK
9	HEAT SHRIN. TUBE	CROSS-LINKED POLYOLEFIN	COLOR: BLACK
8	COPPER FOIL TAPE	ELECTROLYSIS COPPER FOIL	
7	HOOD	PBT UL94V-0	COLOR: BLACK
6	HOOD	PBT UL94V-0	COLOR: BLACK
5	LOCK EJECTOR	PBT UL94V-0	COLOR: BLACK
4	SHELL	STEEL	PLATING: Ni
3	SHELL	STEEL	PLATING: Ni
2	HOUSING COVER	PBT UL94V-0	COLOR: BLACK
1	TERMINAL	COPPER ALLOY	PLATING: Au
ITEM	DESC.	MATERIAL	REMAKS

A	△			QUALITY SYMBOLS	Tolerance	NAME:	松下伺服驱动器X3插头DV0PM20025 2013595-1			PART NO.	B01-008311AE-02		
	△			□:    ☒:	x.    ±0.80	REV:	A	UNIT:	mm	DRW BY	CHK BY	APP BY	DRAWING NO.
	△	2021/12/19	新版发行	CRITICAL    MAJOR	.x    ±0.50	SCALE:	N:1	DATE:	2021/12/19	Huangmei	Jack Chen		B01-054
	△			▽:    ▽:	.xx    ±0.30	SIDE			DATE	DESCRIPTION	APPROVER	ZERO DEFECT    S.P.C	
	8	7	6	5	4	3	2	1	东莞市林诚塑胶电子有限公司    http://www.lineconn.com TEL:0769-85181660 85181770				