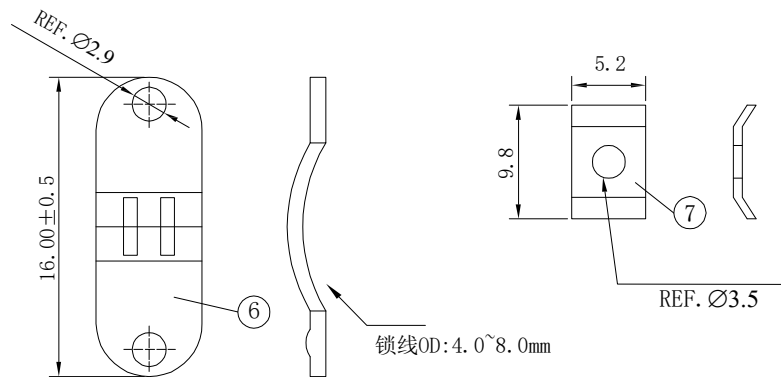


PART NO.:  
B05-009NXNN6-XXA

ENTRY HOLE SIZES:  
55:OD 5.5mm  
65:OD 6.5mm  
80:OD 8.0mm  
HOOD COLOR:  
1:BLACK  
2:GRAY



ITEM	DESC.	MATERIAL	REMAKS	PART REMAKS
7	垫片	SPCC	PLATING:Ni	2PCS
6	线夹	SPCC	PLATING:Ni	2PCS
5	线夹螺丝M3	快削铁	PLATING:Ni	2PCS
4	固定螺母M3	快削铁	PLATING:Ni	2PCS
3	固定螺丝M3	快削铁	PLATING:Ni	2PCS
2	半牙螺丝4#40	快削铁	PLATING:Ni	2PCS
1	上下外壳	ABS	COLOR:SEE PART NO.	1SET

JACK CHEN  
JACK CHEN  
JACK CHEN

QUALITY SYMBOLS  
□:    ☒:  
CRITICAL    MAJOR  
▽:    ▽:  
ZERO DEFECT    S.P.C

Tolerance  
.x    ±0.80  
.x    ±0.50  
.xx    ±0.25

NAME: D-SUB 9P塑胶装配壳 短螺丝  
(客户用图)  
REV: A    UNIT: mm    DRW BY: JING LI  
SCALE: N:1    DATE: 2021/04/16

PART NO. B05-009NXNN6-XXA  
CHK BY: JACK CHEN    APP BY:  
DRAWING NO. B05-001  
http://www.lineconn.com  
TEL:0769-85181660 85181770

△ 2021/04/16 新版发行  
SIDE    DATE    DESCRIPTION    APPROVER

lineconn 东莞市林诚塑胶电子有限公司