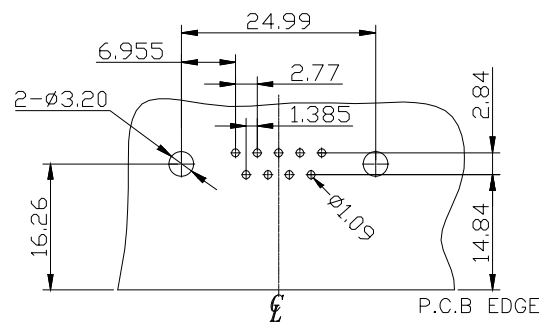
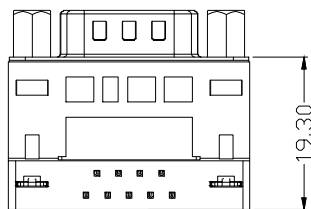


**Voltage Current Rating: 5 AMP.**  
**Dielectric Withstanding Voltage: 1000V AC**  
 Insulation Resistance: 1000MΩ Min.  
 Temperature Range: -25°C to +85°C



RECOMMENDED P.C.B. LAYOUT

ITEM	DESC.	MATERIAL	REMARKS	PART REMARKS
6	COVER	PBT+30%GF	COLOR: BLACK	
5	SCREW	STEEL	PALTING: Ni	
4	BOARDLOCK	COPPER ALLOY	PALTING: Ni	
3	HOUSING	PBT+30%GF	COLOR: GREEN	
2	SHELL	SPCC	PALTING: Ni	
1	TERMINAL	COPPER ALLOY	CONTACT AREA: G/F SOLDER AREA: Sn UNDER-PLATING: Ni	

QUALITY SYMBOLS

□:      ☒:      CRITICAL MAJOR  
 ∇:      ∇:      ZERO DEFECT S.P.C

Tolerance	
.x	±0.50
.x	±0.30
.xx	±0.25

NAME:	D-SUB 9P MALE 90度DIP 19.05mm锁5.8mm螺母 (客户用图)				PART NO.	B05-009531AD-03		
REV:	A	UNIT:	mm	DRW BY	CHK BY	APP BY	DRAWING NO.	
SCALE:	N:1	DATE:	2009/04/14	JINGLI	KING ZHOU		B05-040	
东莞市林诚塑胶电子有限公司				<a href="http://www.lineconn.com">http://www.lineconn.com</a> TEL:0769-85181660 85181770				

△	2009/04/14	NEW ISSUE	JINGLI
SIDE	DATE	DESCRIPTION	APPROVER