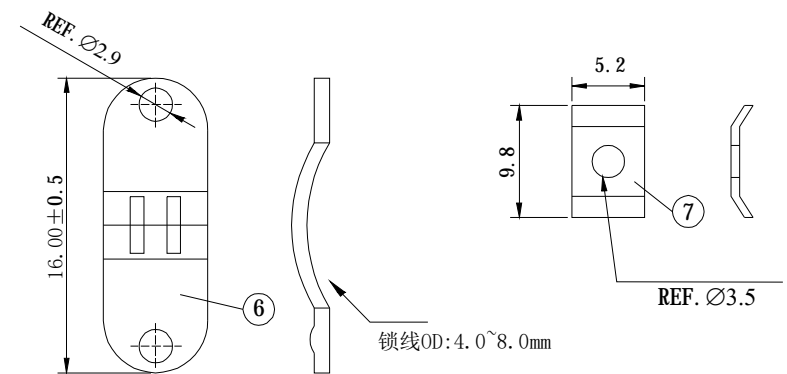


PART NO.:
B05-015NNBN6-XXC

ENTRY HOLE SIZES:
65:OD 6.5mm
80:OD 8.0mm
1A:OD 10.0mm



7	垫片	SPCC	PLATING: Ni	2PCS
6	线夹	SPCC	PLATING: Ni	2PCS
5	线夹螺丝M3	快削铁	PLATING: Ni	2PCS
4	固定螺母M3	快削铁	PLATING: Ni	2PCS
3	固定螺丝M3	快削铁	PLATING: Ni	2PCS
2	半牙螺丝4#40	快削铁	PLATING: Ni	2PCS
1	上下外壳	ABS	PLATING: Cr	1SET
ITEM	DESC.	MATERIAL	REMAKS	PART REMAKS

△	2022/12/06	新开模调整尺寸	JACK CHEN
△	2019/02/18	增加螺牙规格标注	JACK CHEN
△	2011/03/11	新版发行	JACK CHEN

QUALITY SYMBOLS
□: ☒:
CRITICAL MAJOR
▽: ▽:
ZERO DEFECT S.P.C

Tolerance		NAME:	D-SUB 15P电镀塑胶装配壳 短螺丝 (客户用图)				PART NO.	B05-015NNBN6-XXC	
x.	±0.80	REV:	C	UNIT:	mm	DRW BY	CHK BY	APP BY	
.x	±0.50	SCALE:	N:1	DATE:	2011/03/11	Huangmei	Jack Chen	DRAWING NO.	
.xx	±0.25							B05-033	

Lineconn 东莞市林诚塑胶电子有限公司 <http://www.lineconn.com>
TEL:0769-85181660 85181770

SIDE	DATE	DESCRIPTION	APPROVER
8	7	6	5