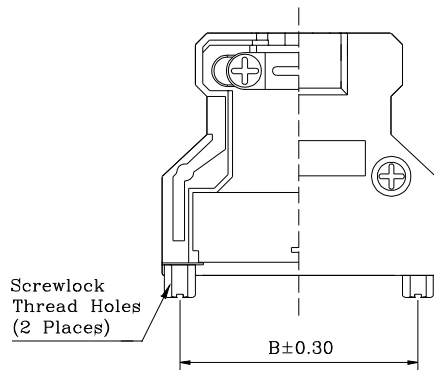


L Type



S Type

PART NO: B02-0XX4N8NX-X1

No. OF CONTACTS: —
 26 = 26P
 36 = 36P
 50 = 50P
 68 = 68P

BRACKET/SCREWS: —
 3: BRACKET
 7: SCREWS M2.6
 8: SCREWS #2-56

ENTRY HOLE SIZES: —
 A: $\phi 7.5\text{mm}$ (26, 36P)
 8: $\phi 8.5\text{mm}$ (26P)
 B: $\phi 9.0\text{mm}$ (36, 50P)
 C: $\phi 11.0\text{mm}$ (50, 68P)
 D: $\phi 14.0\text{mm}$ (68P)

Dimensions:

No. of contacts:	A	B	C	D
26	24.64	31.26	35.10	25.10
36	31.05	37.61	41.50	31.40
50	39.88	46.50	50.60	40.50
68	51.32	57.90	61.50	51.20

ITEM	DESC.	MATERIAL	REMARKS	PART REMARKS
3	CABLE CLIP	STEEL	PLATING: Ni	
2	SCREW	STEEL	PLATING: Ni	
1	BACK SHEEL	ZINC ALLOY	PLATING: Ni	

△	2014/11/07	NEW ISSUE	JINGLI
SIDE	DATE	DESCRIPTION	APPROVER

QUALITY SYMBOLS	Tolerance
□: CRITICAL	x. ±0.50
▣: MAJOR	.x ±0.30
▽: ZERO DEFECT	.xx ±0.25
S.P.C.	

NAME:	SCSI FEMALE ASSEMBLY 铝合金外壳 (客户用图)			PART NO.	B02-0XX4N8NX-X1		
REV:	A	UNIT:	mm	DRW BY	CHK BY	APP BY	DRAWING NO.
SCALE:	N:1	DATE:	2014/11/07	JINGLI	DEAN FAN		B02-035
lineconn 东莞市林诚塑胶电子有限公司				http://www.lineconn.com			
				TEL: 0769-85181660 85181770			