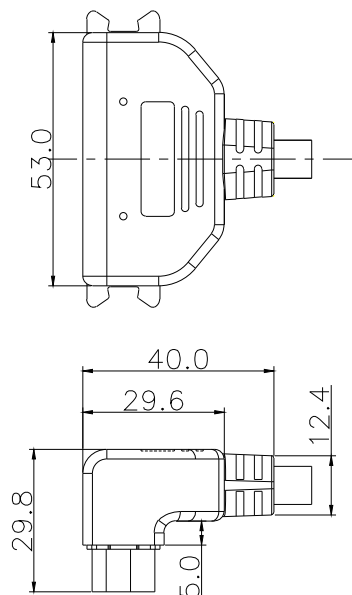
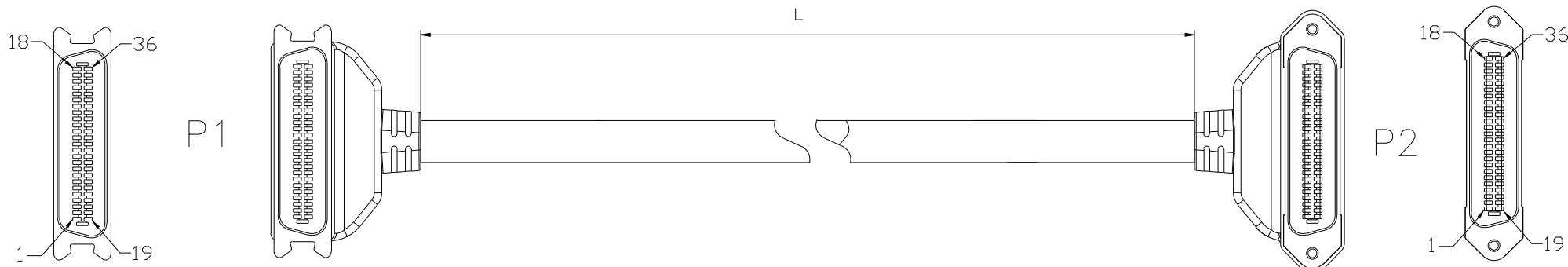
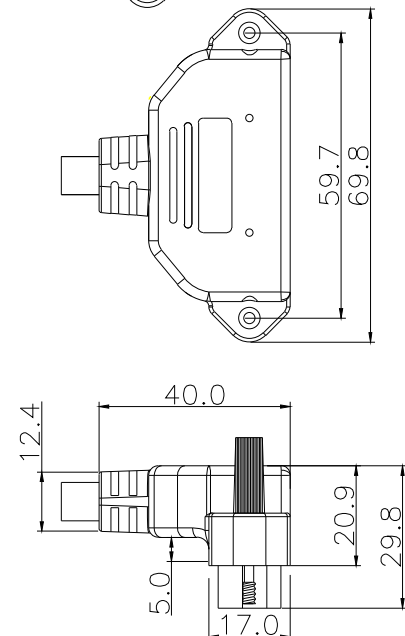
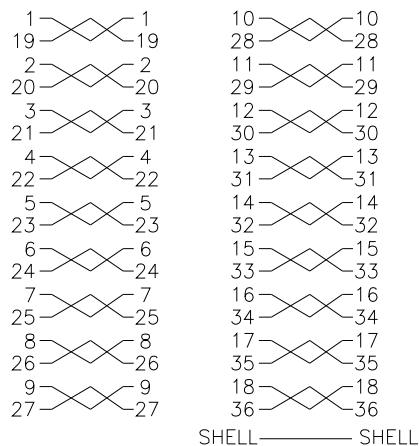


RoHS



PIN ASSIGNMENT



NOTES:

1. ELECTRICAL TEST: 100% OPEN, SHORT & MISS WIRE TEST.
2. CONDUCTOR RESISTANCE: 5 OHMS MAX.
3. INSULATOR RESISTANCE: 1M OHMS MIN, DC 300V 0.01sec.
4. THIS PRODUCT MEET ROHS STANDARD ENVIRONMENTAL PROTECTION POLICY.

料号	连接器规格	线材颜色	长度(cm)
A21-03611XXX-03	简易型	黑色	XXX: 001=10cm
A21-03612XXX-03	简易型	灰色	
A21-03611XXX-A3	传统型	黑色	XXX: 010=100cm
A21-03612XXX-A3	传统型	灰色	

7	CABLE	UL20276 28AWG*18P+AL+BRAID PVC JACKET COLOR: Grey OD= 8.0mm	
6	COPPER FOIL	COPPER FOIL W-25MM	
5	OVERMLD	45P PVC	
4	MLD	PE	
3	SCREW	SCREW #4-40UNC	2PCS
2	CONNECTOR	57 36P公焊线切四角	1PCS
1	CONNECTOR	57 36P公焊线通孔型	1PCS
ITEM	PART NAME	DESCRIPTION	QY'T

A	△			QUALITY SYMBOLS	Tolerance		NAME:	CN(57) 36P M-M CABLE弯头切四角-弯头带螺丝		PART NO.	A21-0361X XXX-X3			
	△			□: □:	尺寸(CM)	公差(CM)	REV:	A	UNIT:	mm	DRW BY	CHK BY	APP BY	DRAWING NO.
	△	2022/10/25	新版发行	CRITICAL MAJOR	30~200	±10	SCALE:	NONE	DATE:	2022/10/25	Huangmei	Jack Chen		A21-003
	△	SIDE	DATE	DESCRIPTION	APPROVER	501~	±30	东莞市林诚塑胶电子有限公司 http://www.lineconn.com TEL:0769-85181660 85181770						
	8	7	6	5	4	3	2	1						