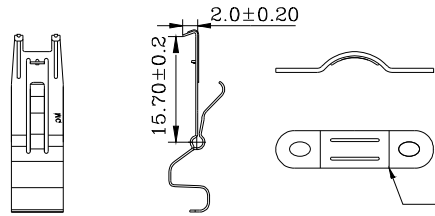
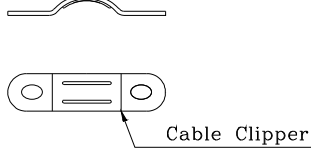


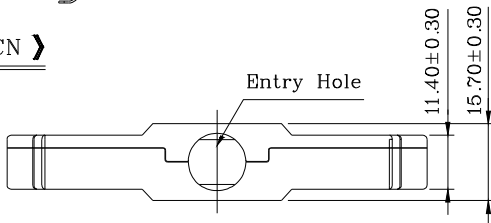
《 HPDB 》



《 HPCN 》



Cable Clipper



Entry Hole

- Current Rating: 1 Amp
- Insulation Resistance: 500MΩ/Min
- Withstanding Voltage: 500V AC/Min
- Contact Resistance: 35mΩ Max
- Temperature Range: -25°C ~ +85°C

PART NO:

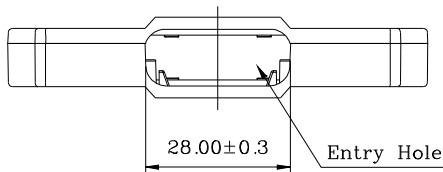
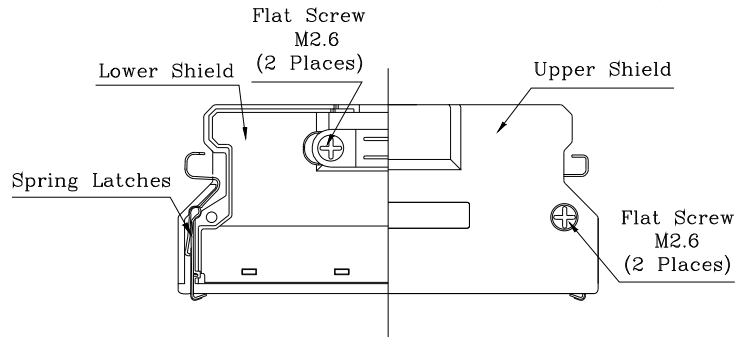
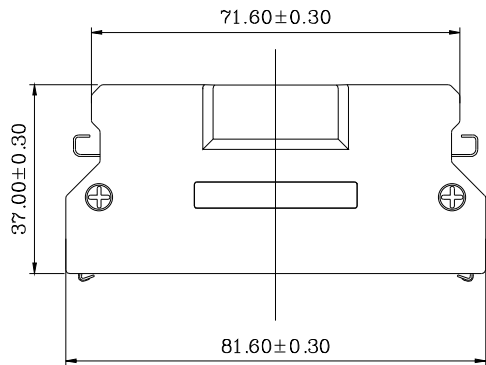
BXX-100NN8N3-XX

SPECIFICATION:

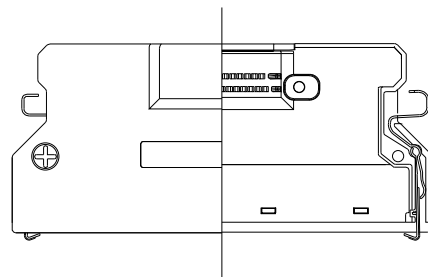
02:HPDB  
03:HPCN

ENTRY HOLE SIZES:

1A:∅11.0  
1D:∅14.0  
2H:28mm方型孔



Entry Hole



ITEM	DESC.	MATERIAL	REMARKS	PART REMARKS
4	SPRING LATCH	STAINLESS STEEL		
3	CABLE CLIPPER	STEEL	PLATING: Ni	
2	FLAT SCREWS	STEEL	PLATING: Ni	
1	BACK SHELL	ZINC ALLOY	PLATING: Ni	

△	2012/07/22	NEW ISSUE	JINGLI
SIDE	DATE	DESCRIPTION	APPROVER
8	7	6	5

QUALITY SYMBOLS		Tolerance	
□ :	☒ :	x.	±0.50
CRITICAL	MAJOR	.x	±0.30
▽ :	▽ :	.xx	±0.25
ZERO DEFECT	S.P.C		

NAME: SCSTI 100P MALE 锌合金组装外壳弹片式 (客户用图)				PART NO. BXX-100NN8N3-XX	
REV: A	UNIT: mm	DRW BY: JINGLI	CHK BY: KING ZHOU	APP BY:	DRAWING NO. BXX-A11
SCALE: N:1	DATE: 2012/07/22	东莞市林诚塑胶电子有限公司 <a href="http://www.lineconn.com">http://www.lineconn.com</a> TEL: 0769-85181660 85181770			
3	2	1			