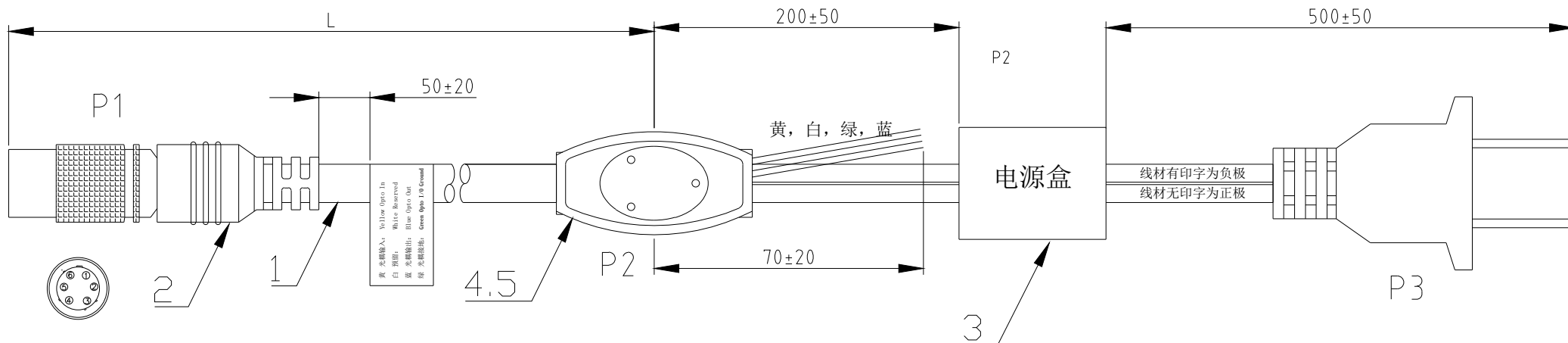


RoHS



连接器正面图

PIN ASSIGNMENT

WIRE COLOR

P1		P3	P2
1	红	"+" 线材无印字为正极	
2	黄		
3	白		
4	蓝		
5	绿		
6	黑	"-" 线材有印字为负极	
	shell		

黄 光耦输入: Yellow Opto In	100	30
白 预留: White Reserved		
蓝 光耦输出: Blue Opto Out		
绿 光耦接地: Green Opto I/O Ground		

- NOTES:
1. ELECTRICAL TEST: 100% OPEN, SHORT & MISS WIRE TEST.
 2. CONDUCTOR RESISTANCE: 5 OHMS MAX.
 3. INSULATOR RESISTANCE: 1M OHMS MIN, DC 300V 0.01sec.
 4. THIS PRODUCT MEET ROHS STANDARD ENVIRONMENTAL PROTECTION POLICY.

料号: A10-00641XXX-03, XXX为长度, 单位为dm, 010=10dm=1.0m

ITEM	PART NAME	DESCRIPTION	QY'T
5	PE	PE	NA
4	OVERMOLD	PVC 45P BLACK	NA
3	CONN	12V电源适配器输出12V, 2A(品牌: 小耳朵, 型号: XED-3C2012SU)	1PCS
2	CONN	HR10A-7P-6S国产品	1SET
1	CABLE	2*0.2mm ² +4*0.12mm ² +ADB, BLACK, OD=6.0mm	NA

				QUALITY SYMBOLS	Tolerance		NAME: 工业相机电源线 高柔一体式 带适配器				PART NO.	A10-00641XXX-03		
				□: CRITICAL	⊠: MAJOR	尺寸(MM)	公差(MM)	REV: A	UNIT: mm	DRW BY	CHK BY	APP BY	DRAWING NO.	
				▽: ZERO DEFECT	▽: S.P.C	300~2000	±50	SCALE: NONE	DATE: 2021/02/22	Jing Li	Jack Chen		A10-015	
						2001~5000	±100	lineconn 东莞市林诚塑胶电子有限公司				http://www.lineconn.com		
						5001~	±150	TEL:0769-85181660 85181770						
SIDE	DATE	DESCRIPTION	APPROVER											
△	2021/02/22	FIRST ISSUE	JING LI											
8	7	6	5	4		3		2		1				