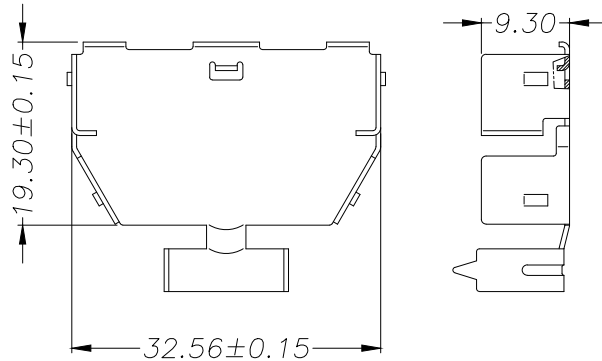
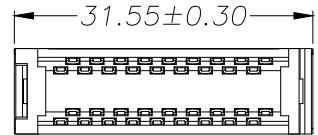
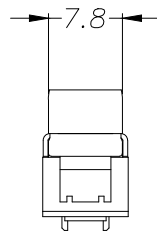
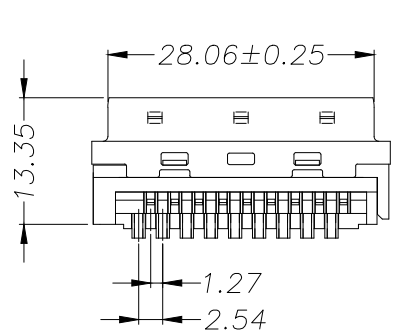


PART NO.:
B03-0363X1X1-X1

COLOR:
1:BLACK
C:BEIGE

CONTACT AREA:
A:G/F
E:Au 5u"
H:Au 15u"
HOOD OD DIM"A":
A:6.7mm
B:7.7mm
C:8.7mm



ELECTRICAL CHARACTERISTICS

Contact Current Rating: 1 Amp
Dielectric Withstanding Voltage: 500V AC
Insulation Resistance: 500MΩ/Min
Contact Resistance: 35mΩ/Max
Operation Temperature: -25°C ~ +85°C

| 6 | SHRAPNEL | SUS | | |
|------|---------------|-------------------------|--|-------------|
| 5 | OUTSIDE SHEEL | SPCC (t=0.50mm) | PLATING: Ni | |
| 4 | HOOD&WRENCH | ABS+G.F.30% (UL 94V-0) | COLOR: SEE P/N | |
| 3 | HOUSING&COVER | PBT+G.F.30% (UL 94V-0) | COLOR: BLACK | |
| 2 | SHEEL | SPCC (t=0.50mm) | PLATING: Ni | |
| 1 | TERMINAL | COPPER ALLOY (t=0.25mm) | CONTACT AREA: P/N SOLDER AREA: Sn UNDER-PLATING: | |
| ITEM | DESC. | MATERIAL | REMAKS | PART REMAKS |

| | | | | |
|------|------------|-------------|-----------|----------------------|
| △ | | | | QUALITY SYMBOLS |
| △ | | | | □: ⊠: |
| △ | 2019/10/08 | NEW ISSUE | Jack Chen | CRITICAL MAJOR |
| △ | | | | ▽: ▽: |
| SIDE | DATE | DESCRIPTION | APPROVER | ZERO DEFECT S.P.C |

| | | | | | | | | |
|-----------|-------|--------|-----------------------------------|-------|------------|----------|-----------------|-------------|
| Tolerance | | NAME: | SCSI 36P MALE 焊线塑壳装配式 镰刀弹片 (客户用图) | | | PART NO. | B03-0363X1X1-X1 | |
| x. | ±0.80 | REV: | A | UNIT: | mm | DRW BY | CHK BY | APP BY |
| .x | ±0.50 | SCALE: | N:1 | DATE: | 2019/10/08 | Huangmei | Jack Chen | DRAWING NO. |
| .xx | ±0.30 | | | | | | | B03-104 |

| | | | | | | | | |
|---------------|--|--|--|--|--|---|--|--|
| 东莞市林诚塑胶电子有限公司 | | | | | | http://www.lineconn.com | | |
| | | | | | | TEL:0769-85181660 85181770 | | |

| | | | | | | | |
|---|---|---|---|---|---|---|---|
| 8 | 7 | 6 | 5 | 4 | 3 | 2 | 1 |
|---|---|---|---|---|---|---|---|