
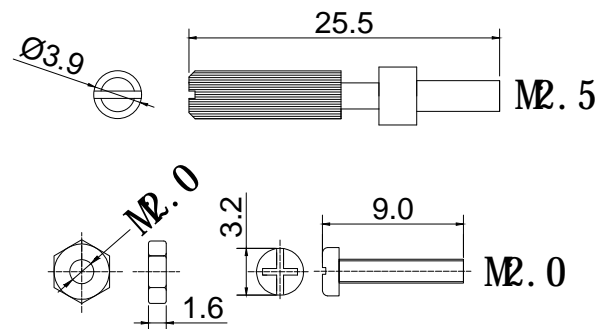
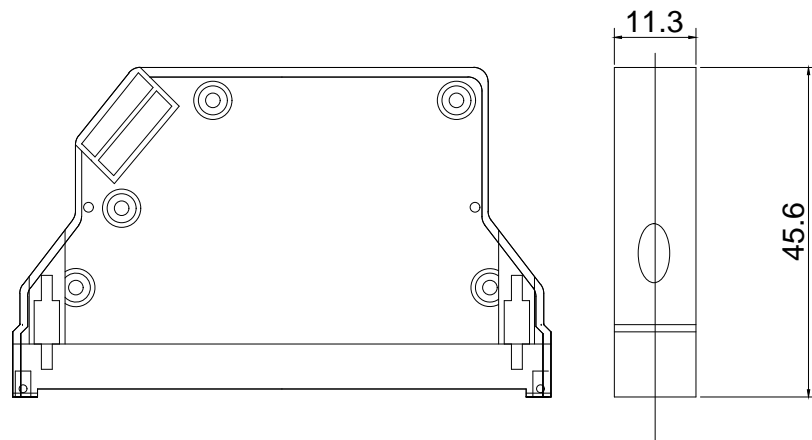
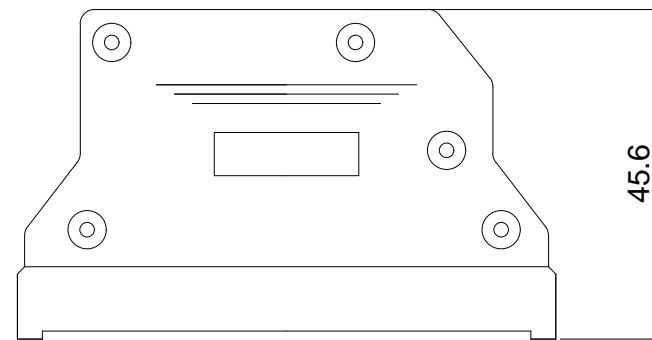
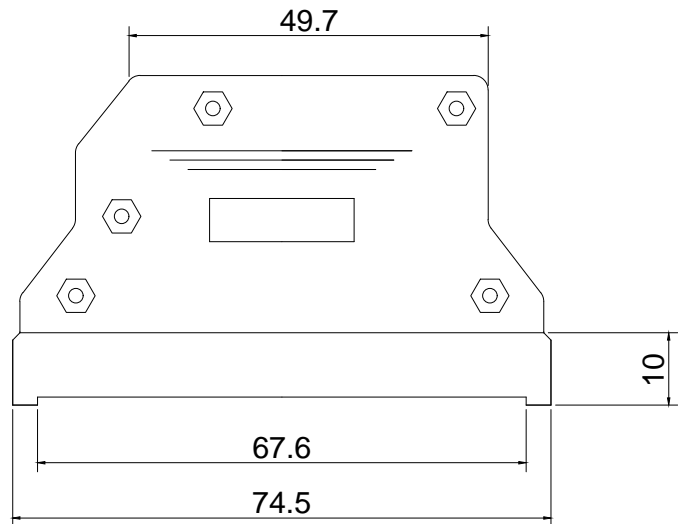


**ELECTRICAL CHARACTERISTICS**

Contact Current Rating: 3 Amp  
 Dielectric Withstanding Voltage: 500V AC  
 Insulation Resistance: 500MΩ/Min  
 Contact Resistance: 35mΩ/Max  
 Operation Temperature: -25°C ~ +85°C

2	HOUSING	PBT+30%CF	COLOR:BLACK	
1	TERMINAL	COPPER ALLOY	PLATING:GOLD FLASH/TIN	
ITEM	DESC.	MATERIAL	REMARKS	PART REMARKS

A	△			QUALITY SYMBOLS	Tolerance	NAME: <b>FCN 40P FEMALE SOLDER</b>				PART NO.	B01-04041NA0-01		
	△			□:      ☒:	x.      ±0.80	REV:	A	UNIT:	mm	DRW BY	CHK BY	APP BY	DRAWING NO.
	△	2019/11/23	NEW ISSUE	CRITICAL    MAJOR	.x      ±0.50	SCALE:	N:1	DATE:	2019/11/23	Huangmei	Jack Chen		B01-036
	SIDE	DATE	DESCRIPTION	APPROVER	▽:      ▽:	.xx      ±0.30	 <b>东莞市林诚塑胶电子有限公司</b>				<a href="http://www.lineconn.com">http://www.lineconn.com</a> TEL:0769-85181660 85181770		
	8	7	6	5	4	3	2	1					



ITEM	DESC.	MATERIAL	REMARKS	PART REMARKS
3	NUT	STEEL	PLATING: Ni	
2	SCREW	STEEL	PLATING: Ni	
1	HOOD	ABS+30%GF	COLOR: BLACK	

△			
△			
△	2021/12/24	新版发行	Huangmei
SIDE	DATE	DESCRIPTION	APPROVER
8	7	6	5

QUALITY SYMBOLS		Tolerance	
□ :	☒ :	x.	±0.80
CRITICAL	MAJOR	.x	±0.50
▽ :	▽ :	.xx	±0.30
ZERO DEFECT	S.P.C		

NAME:	FCN 40P母头组装外壳侧方出线				PART NO.	B01-040411NB-01	
REV:	A	UNIT:	mm	DRW BY	CHK BY	APP BY	DRAWING NO.
SCALE:	N:1	DATE:	2021/12/24	Huangmei	Jack Chen		B01-048
东莞市林诚塑胶电子有限公司				<a href="http://www.lineconn.com">http://www.lineconn.com</a> TEL:0769-85181660 85181770			
3	2	1	8	7	6	5	4