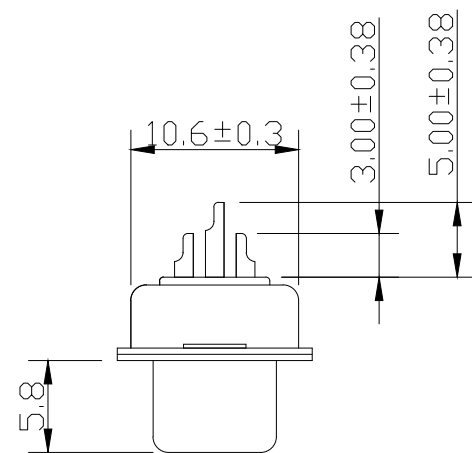
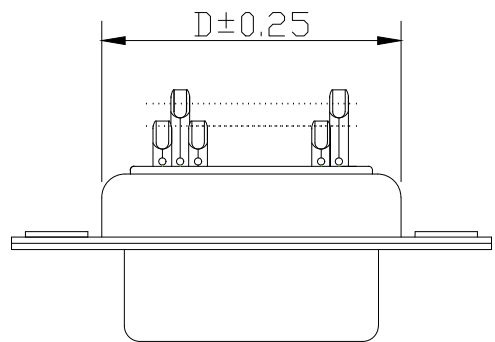
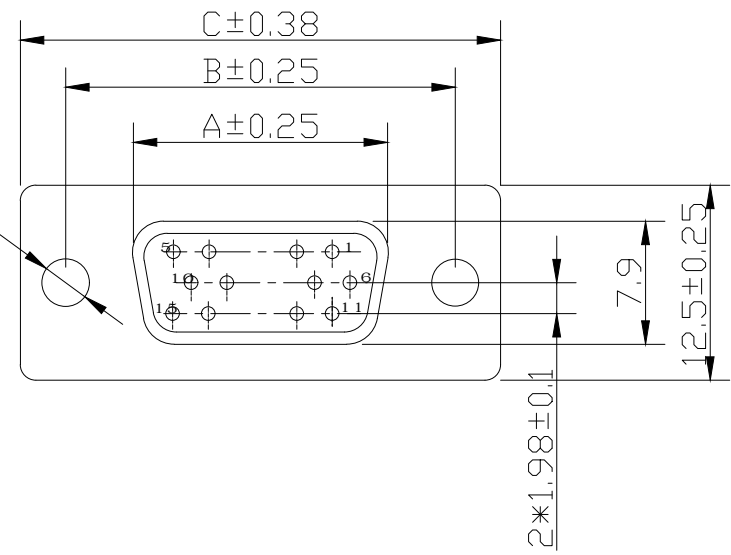


No. of Contact	A	B	C	D
15	16.3	25.0	30.8	19.3
26	24.6	33.3	39.1	27.5
44	38.3	47.0	53.0	41.3
62	54.8	63.5	69.3	57.7



Voltage Current Rating:5 AMP.
 Dielectric Withstanding Voltage:1000V AC
 Insulation Resistance:1000MΩ Min.
 Temperature Range:-25°C to +85°C



PART NO:
 B04-0XX4X1AN-01

NO.OF CONTACT:

- 15 = 15 pos
- 26 = 26 pos
- 44 = 44 pos
- 62 = 62 pos

HOUSING COLOR:

- 1 = BLACK
- 5 = WHITE
- 6 = BLUE

4	REAR SHELL	SPCC	PALTING: Sn
3	FRONT SHELL	SPCC	PALTING: Ni
2	HOUSING	PBT+30%GF	COLOR: SEE PART NO.
1	TERMINAL	COPPER ALLOY	CONTACT AREA: G/F SOLDER AREA: Sn
ITEM	DESC.	MATERIAL	REMAKS

QUALITY SYMBOLS

- : CRITICAL
- ☒: MAJOR
- ▽: ZERO DEFECT
- ▽: S.P.C

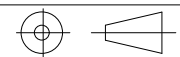
Tolerance

- x. ±0.50
- .x ±0.30
- .xx ±0.25

NAME: HD.D-SUB 传统母头焊线式通孔 (客户用图) PART NO. B04-0XX4X1AN-01

REV: A UNIT: mm DRW BY: KING ZHOU CHK BY: APP BY: DRAWING NO. B04-005

SCALE: N:1 DATE: 2007/10/16 JINGLI



lineconn 东莞市林诚塑胶电子有限公司 http://www.lineconn.com
 TEL:0769-85181660 85181770

△	2007/10/16	NEW ISSUE	JINGLI
SIDE	DATE	DESCRIPTION	APPROVER