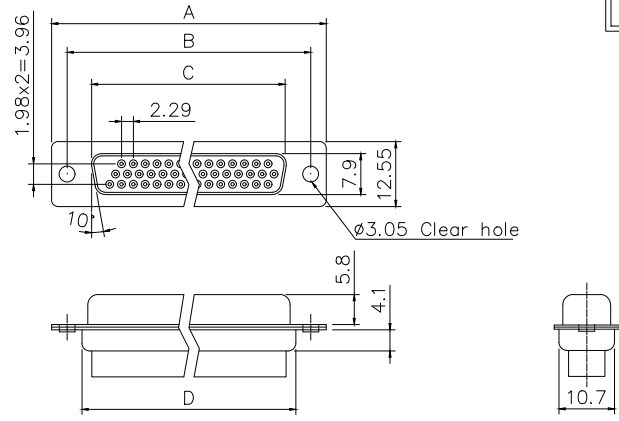


RoHS COMPLIANT

Positions	A	B	C	D
15	30.81	24.99	16.33	19.2
26	39.20	33.30	24.70	27.7
44	53.05	47.04	38.40	41.1
62	69.40	63.50	54.80	57.3



15,26,44,62 Positions

Voltage Current Rating:5 AMP.
 Dielectric Withstanding Voltage:1000V AC
 Insulation Resistance:1000MΩ Min.
 Temperature Range:-25°C to +85°C

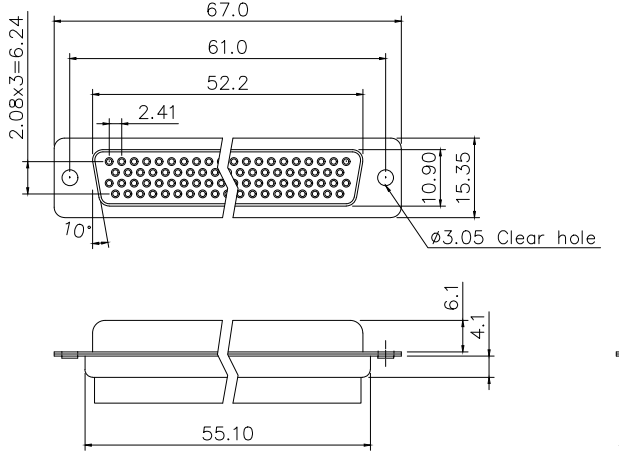
PART NO: B04-0XX2X100-02

NO.OF CONTACT:

- 15 = 15 pos
- 26 = 26 pos
- 44 = 44 pos
- 62 = 62 pos
- 78 = 78 pos

HOUSING COLOR:

- 1 = BLACK
- 5 = WHITE
- 6 = BLUE



78 Positions

ITEM	DESC.	MATERIAL	REMARKS	PART REMARKS
3	REAR SHELL	SPCC	PALTING: Sn	
2	FRONT SHELL	SPCC	PALTING: Ni	
1	HOUSING	PBT+30%GF	COLOR: SEE PART NO.	

SIDE	DATE	DESCRIPTION	APPROVER
△	2016/07/22	NEW ISSUE	JINGLI

QUALITY SYMBOLS	Tolerance
□ : CRITICAL	x. ±0.50
⊠ : MAJOR	.x ±0.30
▽ : ZERO DEFECT	.xx ±0.25
S.P.C	

NAME:	HD.D-SUB CRIMP 传统母头 (客户用图)				PART NO.	B04-0XX2X100-02		
REV: A	UNIT: mm	DRW BY: JINGLI	CHK BY: KING ZHOU	APP BY:	DRAWING NO.	B04-034		
SCALE: N:1	DATE: 2016/07/22	JINGLI KING ZHOU			东莞市林诚塑胶电子有限公司 http://www.lineconn.com TEL:0769-85181660 85181770			