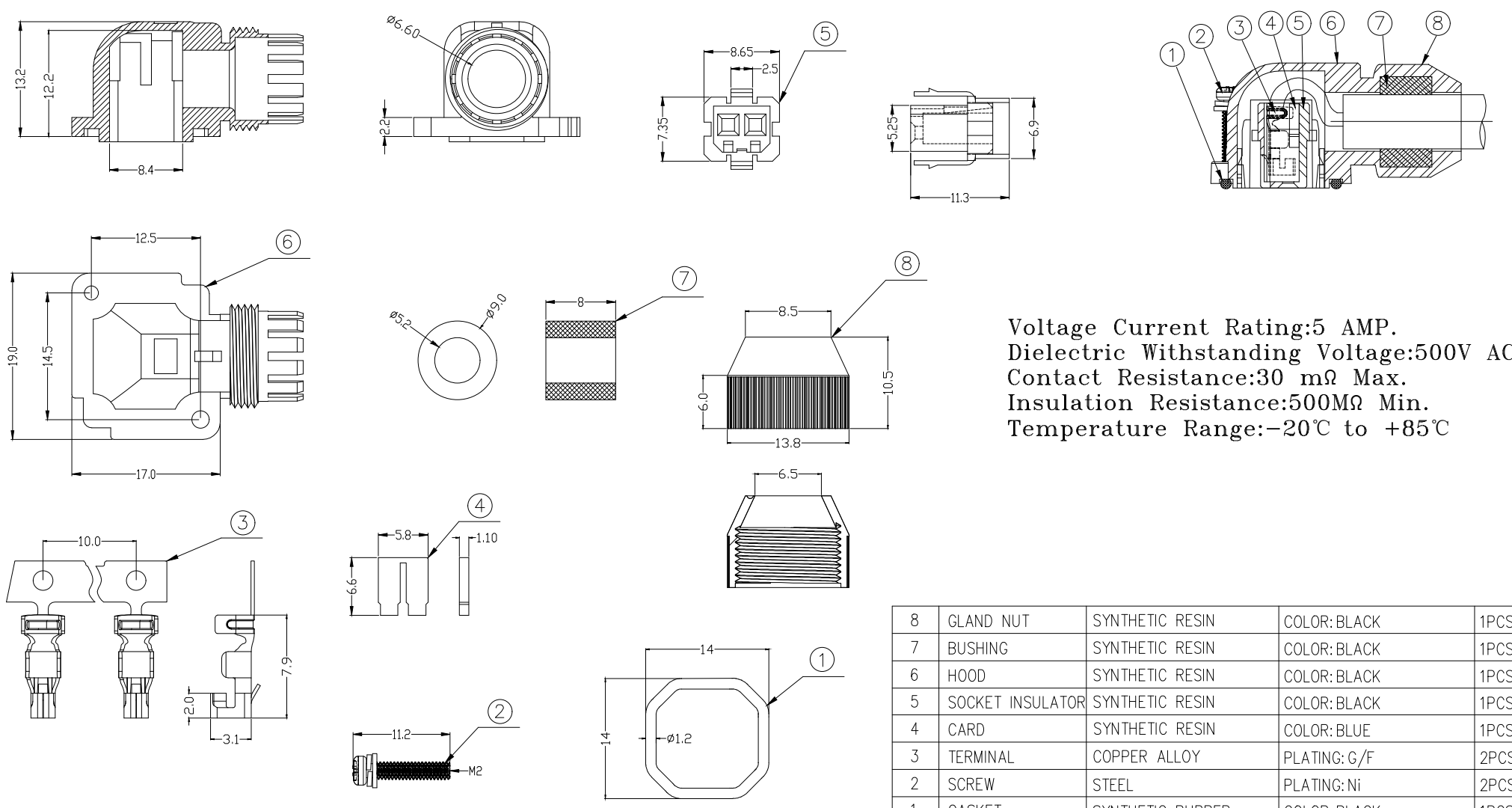


ROHS COMPLIANT



Voltage Current Rating:5 AMP.
Dielectric Withstanding Voltage:500V AC
Contact Resistance:30 mΩ Max.
Insulation Resistance:500MΩ Min.
Temperature Range:-20℃ to +85℃

ITEM	DESC.	MATERIAL	REMAKS	PART REMAKS
8	GLAND NUT	SYNTHETIC RESIN	COLOR:BLACK	1PCS
7	BUSHING	SYNTHETIC RESIN	COLOR:BLACK	1PCS
6	HOOD	SYNTHETIC RESIN	COLOR:BLACK	1PCS
5	SOCKET INSULATOR	SYNTHETIC RESIN	COLOR:BLACK	1PCS
4	CARD	SYNTHETIC RESIN	COLOR:BLUE	1PCS
3	TERMINAL	COPPER ALLOY	PLATING:G/F	2PCS
2	SCREW	STEEL	PLATING:Ni	2PCS
1	GASKET	SYNTHETIC RUBBER	COLOR:BLACK	1PCS

A	△				QUALITY SYMBOLS	Tolerance X: ±0.80 .x: ±0.50 .xx: ±0.25	NAME: 三菱伺服 2P刹车防水连接器 (客户用图)			PART NO.	B01-00211154-01		
	△				CRITICAL MAJOR		REV: A	UNIT: mm	DRW BY	CHK BY	APP BY	DRAWING NO. B01-027	
	△	2019/10/09新版发行		King Zhou	▽: ZERO DEFECT	▽: S.P.C	SCALE: N:1	DATE: 2019/10/09	DAWN HU	KING ZHOU			
	SIDE	DATE	DESCRIPTION	APPROVER			东莞市林诚塑胶电子有限公司			http://www.lineconn.com TEL:0769-85181660 85181770			