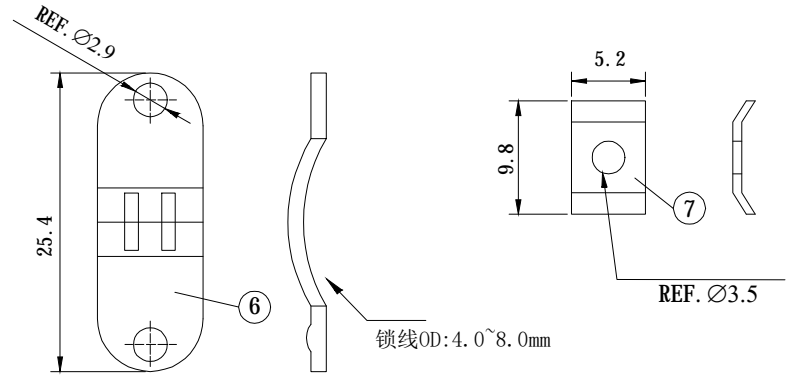


PART NO.:
B05-025NXNN6-XXA

ENTRY HOLE SIZES:
80:OD 8.0mm
1A:OD 10.0mm

HOOD COLOR:
1:BLACK
2:GRAY



ITEM	DESC.	MATERIAL	REMARKS	PART REMARKS
7	垫片	SPCC	PLATING: Ni	2PCS
6	线夹	SPCC	PLATING: Ni	2PCS
5	线夹螺丝M3	快削铁	PLATING: Ni	2PCS
4	固定螺母M3	快削铁	PLATING: Ni	2PCS
3	固定螺丝M3	快削铁	PLATING: Ni	2PCS
2	半牙螺丝4#40	快削铁	PLATING: Ni	2PCS
1	上下外壳	ABS	COLOR: SEE PART NO.	1SET

SIDE	DATE	DESCRIPTION	APPROVER
	2019/02/18	增加螺牙规格标注	JACK CHEN
	2011/03/11	新版发行	JACK CHEN

QUALITY SYMBOLS		Tolerance		NAME:				PART NO.		REMARKS	
□:	☒:	x.	±0.80	D-SUB 25P塑胶装配壳 短螺丝 (客户用图)				B05-025NXNN6-XXA			
CRITICAL	MAJOR	.x	±0.50	REV:	B	UNIT:	mm	DRW BY	CHK BY	APP BY	DRAWING NO.
▽:	▽:	.xx	±0.25	SCALE:	N:1	DATE:	2011/03/11	JING LI	JACK CHEN		B05-006
ZERO DEFECT	S.P.C	东莞市林诚塑胶电子有限公司				http://www.lineconn.com TEL:0769-85181660 85181770					