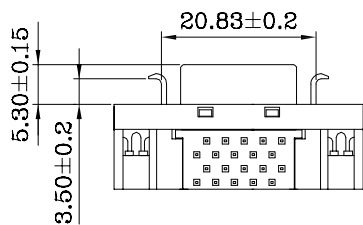
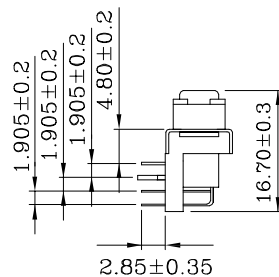


- Current Rating: 1 Amp
- Insulation Resistance: 500MΩ/Min
- Withstanding Voltage: 500V AC/Min
- Contact Resistance: 35mΩ Max
- Temperature Range: -25°C ~ +85°C



L Type



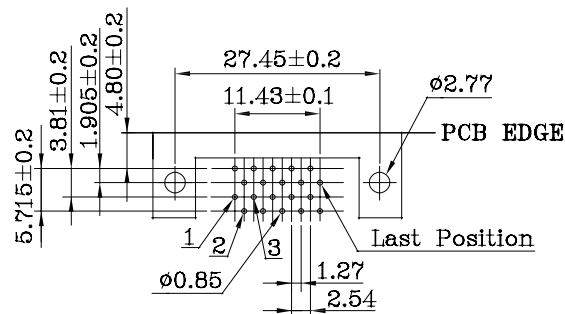
S Type

PART NO:
B02-020611EC-2X

BRACKET FINISHES:

L:LATCH BRACKET

S:SCREW BRACKET



PCB Layout (B)

6	BOARDLOCK	COPPER ALLOY	PLATING: Tin	
5	BRACKET	SPCC	PLATING: Ni	
4	COVER	PBT+30%GF	COLOR: BLACK	
3	HOUSING	PBT+30%GF	COLOR: BLACK	
2	SHELL	SPCC	PLATING: Ni	
1	TERMINAL	PHOSPHOR BRONZE	CONTACT AREA: Au 5u" SOLDER AREA: Sn UNDER-PLATING: Ni	
ITEM	DESC.	MATERIAL	REMARKS	PART REMARKS

QUALITY SYMBOLS

□ : ☒ :
CRITICAL MAJOR
▽ : ▽ :
ZERO DEFECT S.P.C

Tolerance

x. ±0.50
.x ±0.30
.xx ±0.25

NAME:

SCSI PIN TYPE 20P F 90° DIP
(客户用图)

PART NO.

B02-020611EC-2X

REV:

A

UNIT:

mm

DRW BY

CHK BY

APP BY

DRAWING NO.

SCALE:

N:1

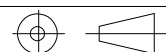
DATE:

2012/07/08

JINGLI

KING ZHOU

B02-004



lineconn 东莞市林诚塑胶电子有限公司

http://www.lineconn.com
TEL:0769-85181660 85181770

△ 2012/07/08

NEW ISSUE

JINGLI

SIDE DATE

DESCRIPTION

APPROVER