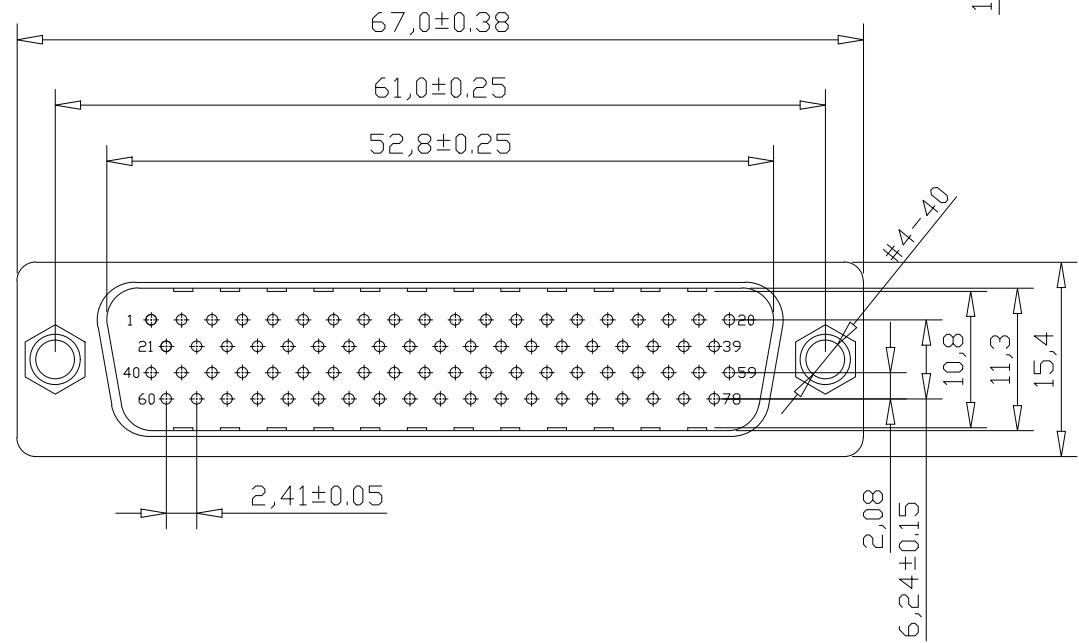


Voltage Current Rating: 5 AMP.
 Dielectric Withstanding Voltage: 1000V AC
 Insulation Resistance: 1000MΩ Min.
 Temperature Range: -25°C to +85°C

PART NO: B04-0787X1AD-E5

HOUSING COLOR:
 1 = BLACK
 5 = WHITE
 6 = BLUE



ITEM	DESC.	MATERIAL	REMARKS	PART REMARKS
6	SCREW	STEEL	PALTING: Ni	
5	BOARDLOCK	COPPER ALLOY	PALTING: Ni	
4	HOUSING	PBT+30%GF	COLOR: SEE PART NO.	
3	REAR SHELL	SPCC	PALTING: Sn	
2	FRONT SHELL	SPCC	PALTING: Ni	
1	TERMINAL	COPPER ALLOY	CONTACT AREA: G/F SOLDER AREA: Sn UNDER-PLATING: Ni	

				QUALITY SYMBOLS	Tolerance	NAME: HD, D-SUB 78P MALE 180度后铆6.0鱼叉 前锁5.0mm螺母 (客户用图)				PART NO.	B04-0787X1AD-E5		
				□: ☒:	x. ±0.50	REV:	A	UNIT:	mm	DRW BY	CHK BY	APP BY	DRAWING NO.
				CRITICAL MAJOR	.x ±0.30	SCALE:	N:1	DATE:	2014/09/05	JINGLI	KING ZHOU		B04-031
				▽: ▽:	.xx ±0.25	Lineconn 东莞市林诚塑胶电子有限公司							http://www.lineconn.com
SIDE	DATE	DESCRIPTION	APPROVER	ZERO DEFECTS.P.C			TEL: 0769-85181660 85181770						
△	2014/09/05	NEW ISSUE	JINGLI										