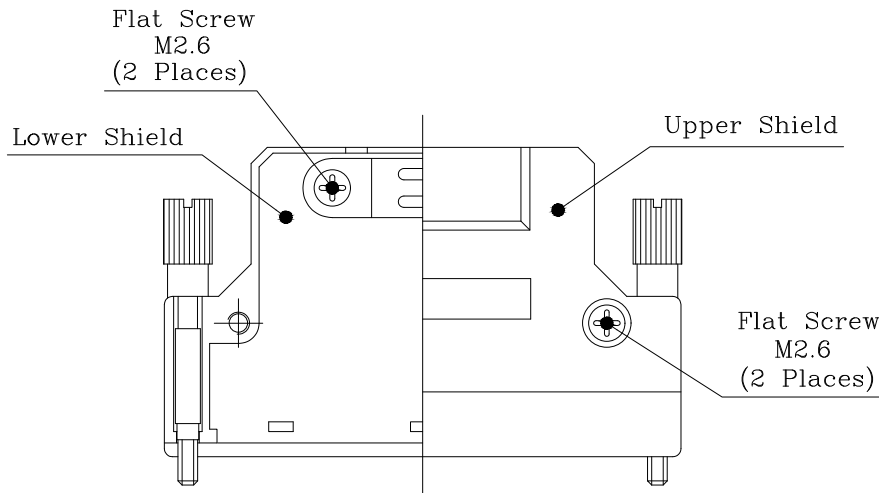
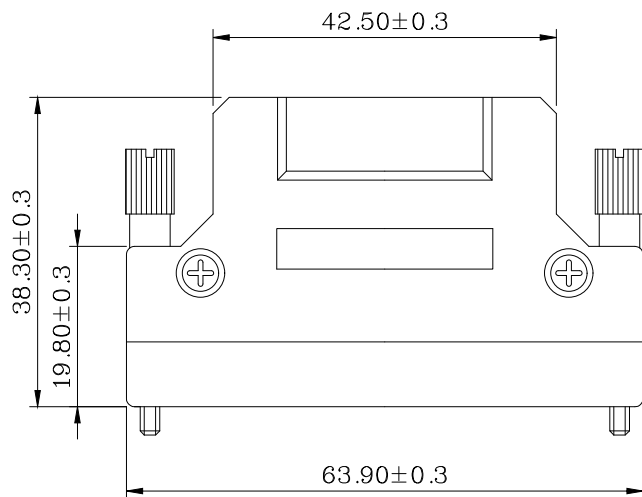
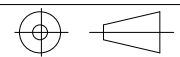


• PART NO.: B03-068NN8NX-X0  
 THREADS FINISHES:  
 7: jackscrews M2.6  
 8: jackscrews #2-56  
 9: jackscrews #4-40  
 ENTRY HOLE SIZES:  
 B:11.0  
 E:14.0



4	CABLE CLIPPER	STEEL	PLATING: Ni	
3	FLAT SCRWE	STEEL	PLATING: Ni	
2	JACK SCRWE	STEEL	PLATING: Ni	
1	BACKSHELL	ZINC ALLOY	PLATING: Ni	
ITEM	DESC.	MATERIAL	REMAKS	PART REMAKS

△				QUALITY SYMBOLS	Tolerance	NAME:	SCSI 68P MALE 锌合金组装外壳螺丝式 (客户用图)			PART NO.	B03-068NN8NX-X0		
△				□:    ☒:	x.    ±0.80	REV:	A	UNIT:	mm	DRW BY	CHK BY	APP BY	DRAWING NO.
△	2009/06/05	新版发行	King Zhou	CRITICAL    MAJOR	.x    ±0.50	SCALE:	N:1	DATE:	2009/06/05	JACK CHEN	DEAN FAN		B03-049
SIDE	DATE	DESCRIPTION	APPROVER	▽:    ▽:	.xx    ±0.30	Lineconn 东莞市林诚塑胶电子有限公司			http://www.lineconn.com TEL:0769-85181660 85181770				
8	7	6	5	ZERO DEFECT    S.P.C									



Lineconn 东莞市林诚塑胶电子有限公司  
 http://www.lineconn.com  
 TEL:0769-85181660 85181770