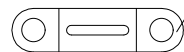
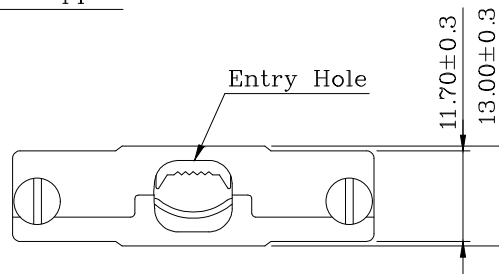


Cable Clipper



Entry Hole



• PART NO.:

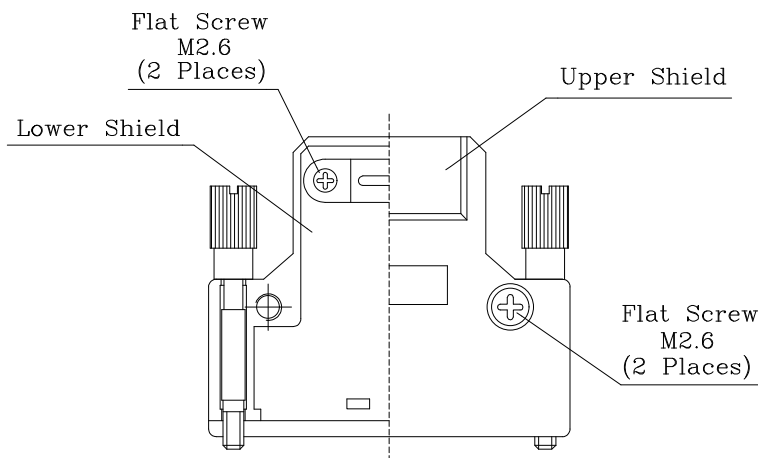
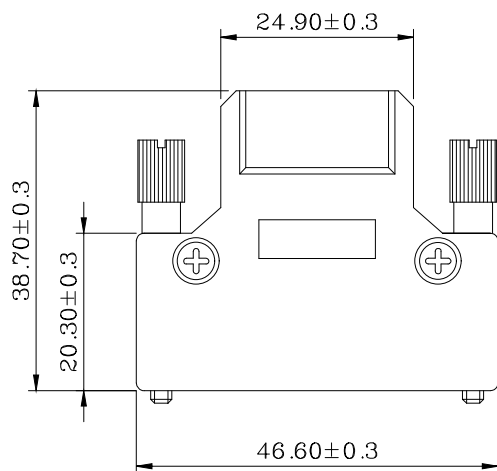
B03-040NN8NX-90

THREADS FINISHES:

7: jackscrews M2.6

8: jackscrews #2-56

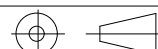
9: jackscrews #4-40



ITEM	DESC.	MATERIAL	REMAKS	PART REMAKS
4	CABLE CLIPPER	STEEL	PLATING: Ni	
3	FLAT SCRWE	STEEL	PLATING: Ni	
2	JACK SCRWE	STEEL	PLATING: Ni	
1	BACKSHELL	ZINC ALLOY	PLATING: Ni	

△				QUALITY SYMBOLS
△				□: ☒: Tolerance
△	2010/01/09 新版发行		King Zhou	CRITICAL MAJOR .x ±0.80
SIDE	DATE	DESCRIPTION	APPROVER	ZERO DEFECT S.P.C .x ±0.50
8	7	6	5	.xx ±0.30

NAME:		SCSI 40P MALE 锌合金组裝外壳螺丝式OD9.0 (客户用图)			PART NO.	B03-040NN8NX-90		
REV:	A	UNIT:	mm	DRW BY	CHK BY	APP BY	DRAWING NO.	
SCALE:	N:1	DATE:	2010/01/09	JACK CHEN	DEAN FAN		B03-070	
lineconn 东莞市林诚塑胶电子有限公司				http://www.lineconn.com		TEL:0769-85181660 85181770		



lineconn 东莞市林诚塑胶电子有限公司 http://www.lineconn.com TEL:0769-85181660 85181770