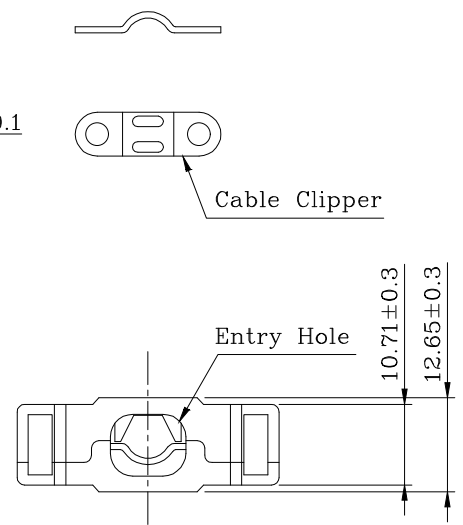
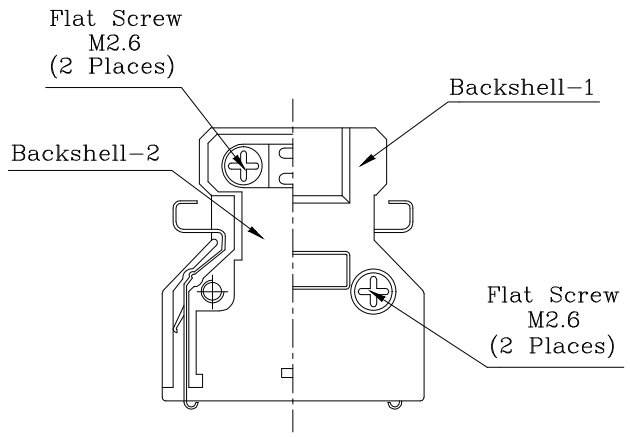
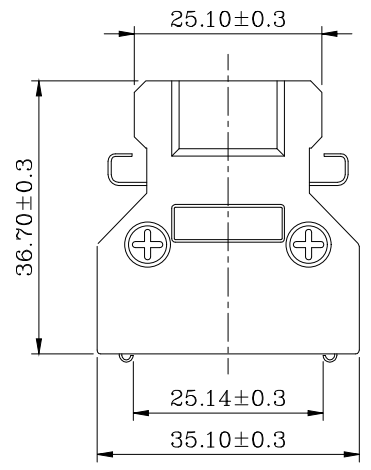


Spring Latches  
(2 Places)



Cable Clipper

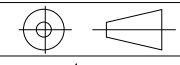
Entry Hole



• PART NO.: BXX-026NN8N3-X0  
 SPECIFICATION:  
 02:HPCN  
 03:HPDB  
 ENTRY HOLE SIZES:  
 7:7.0  
 9:9.0

4	CABLE CLIPPER	STEEL	PLATING: Ni	
3	FLAT SCRWE	STEEL	PLATING: Ni	
2	SPRING LATCH	STAINLESS STEEL		
1	BACKSHELL	ZINC ALLOY	PLATING: Ni	
ITEM	DESC.	MATERIAL	REMARKS	PART REMARKS

△				QUALITY SYMBOLS	Tolerance	NAME:	SCSI 26P MALE 锌合金组装外壳弹片式 (客户用图)				PART NO.	BXX-026NN8N3-X0	
△				□:    ☒:	.x    ±0.80	REV:	A	UNIT:	mm	DRW BY	CHK BY	APP BY	DRAWING NO.
△	2010/01/16	新版发行	King Zhou	CRITICAL    MAJOR	.x    ±0.50	SCALE:	N:1	DATE:	2010/01/16	JACK CHEN	DEAN FAN		BXX-A02
SIDE	DATE	DESCRIPTION	APPROVER	▽:    ▽:	.xx    ±0.30	lineconn 东莞市林诚塑胶电子有限公司							http://www.lineconn.com
8	7	6	5	ZERO DEFECT    S.P.C		TEL:0769-85181660 85181770							



lineconn 东莞市林诚塑胶电子有限公司 http://www.lineconn.com  
 TEL:0769-85181660 85181770