
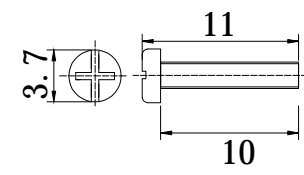
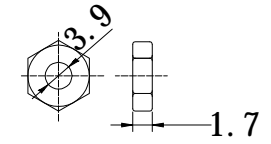
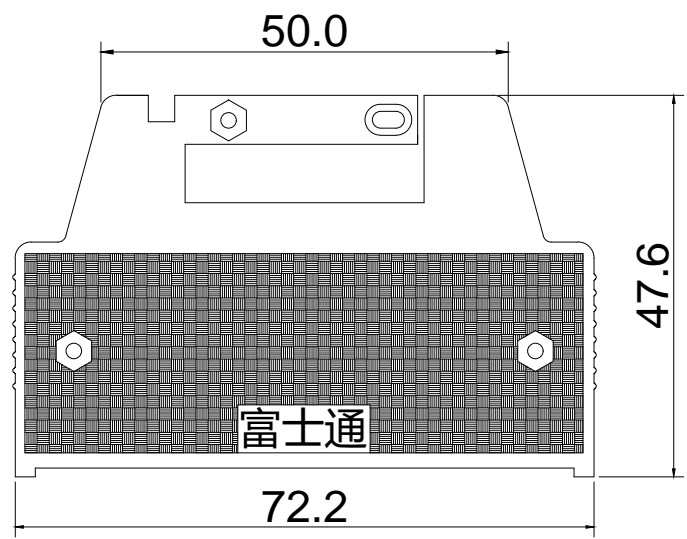
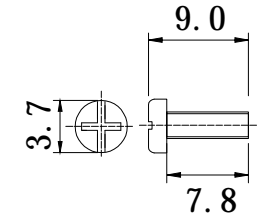
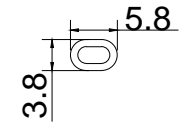
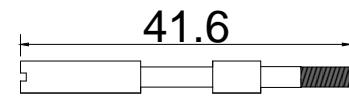
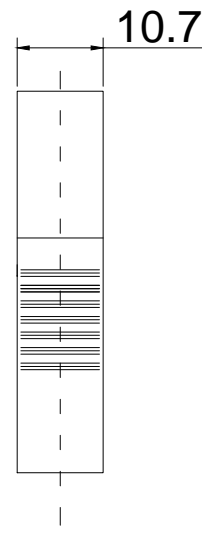
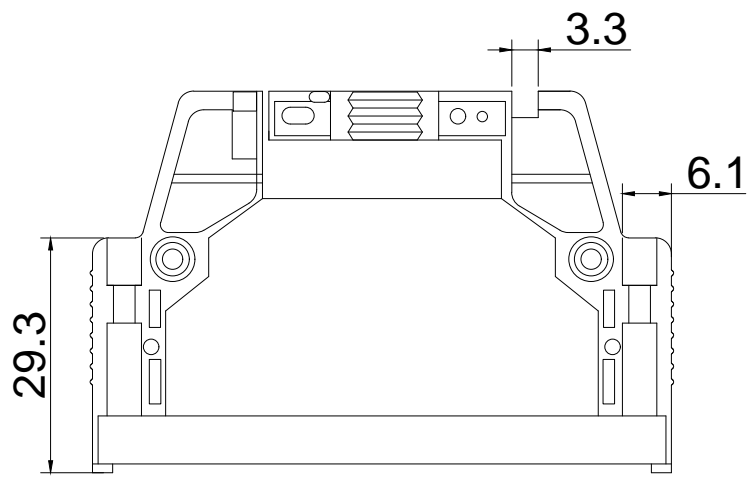


ELECTRICAL CHARACTERISTICS

Contact Current Rating: 3 Amp
 Dielectric Withstanding Voltage: 500V AC
 Insulation Resistance: 500MΩ/Min
 Contact Resistance: 35mΩ/Max
 Operation Temperature: -25°C ~ +85°C

2	HOUSING	PBT+30%CF	COLOR:BLACK	
1	TERMINAL	COPPER ALLOY	PLATING:GOLD FLASH/TIN	
ITEM	DESC.	MATERIAL	REMAKS	PART REMAKS

A	△			QUALITY SYMBOLS	Tolerance	NAME: FCN 40P FEMALE SOLDER				PART NO.	B01-04041NA0-01		
	△			□: ☒:	x. ±0.80	REV:	A	UNIT:	mm	DRW BY	CHK BY	APP BY	DRAWING NO.
	△	2019/11/23	NEW ISSUE	CRITICAL MAJOR	.x ±0.50	SCALE:	N:1	DATE:	2019/11/23	Huangmei	Jack Chen		B01-036
	SIDE	DATE	DESCRIPTION	APPROVER	▽: ▽:	.xx ±0.30	 东莞市林诚塑胶电子有限公司				http://www.lineconn.com TEL:0769-85181660 85181770		
	8	7	6	5	4	3	2	1					



ITEM	DESC.	MATERIAL	REMARKS	PART REMARKS
3	NUT	STEEL	PLATING: Ni	
2	SCERW	STEEL	PLATING: Ni	
1	HOOD	ABS+30%GF	COLOR: BLACK	

SIDE	DATE	DESCRIPTION	APPROVER
△			
△	2021/12/24	新版发行	Huangmei

QUALITY SYMBOLS		Tolerance	
□:	☒:	.x	±0.80
CRITICAL	MAJOR	.x	±0.50
▽:	▽:	.xx	±0.30
ZERO DEFECT	S.P.C		

NAME:	FCN 40P母头组装外壳				PART NO.	B01-040411NB-02	
REV:	A	UNIT:	mm	DRW BY	CHK BY	APP BY	DRAWING NO.
SCALE:	N:1	DATE:	2021/12/24	Huangmei	Jack Chen		B01-049
东莞市林诚塑胶电子有限公司				http://www.lineconn.com TEL:0769-85181660 85181770			