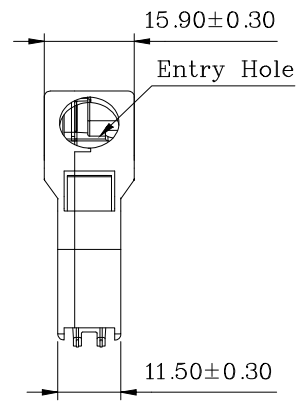
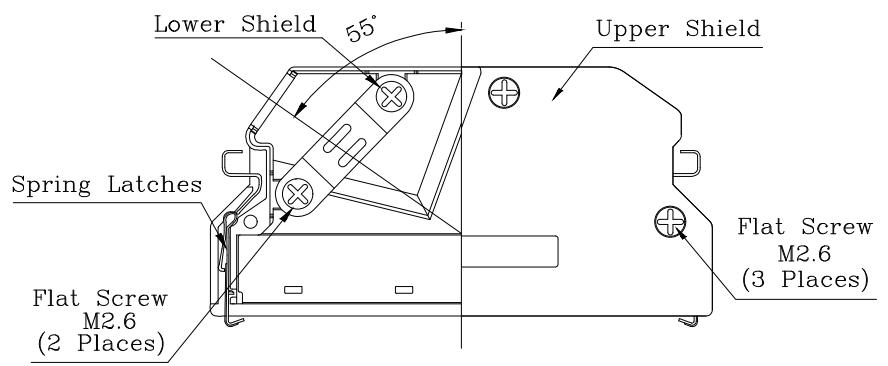


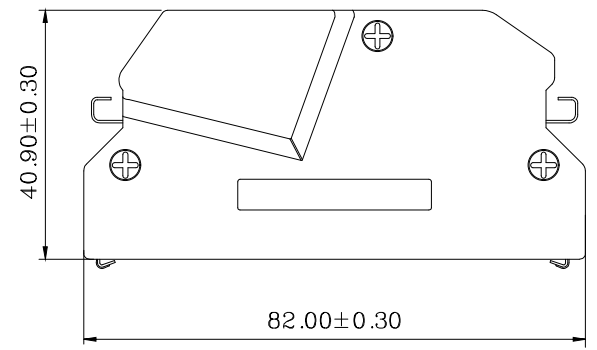
<HPDB>

<HPCN>

Cable Clipper



• PART NO.: BXX-100NN8NH-XX  
 SPECIFICATION:  
 02:HPCN  
 03:HPDB  
 ENTRY HOLE SIZES:  
 1A:10.0mm  
 1C:12.0mm



4	CABLE CLIPPER	STEEL	PLATING: Ni	
3	FLAT SCRWE	STEEL	PLATING: Ni	
2	SPRING LATCH	STAINLESS STEEL		
1	BACKSHELL	ZINC ALLOY	PLATING: Ni	
ITEM	DESC.	MATERIAL	REMAKS	PART REMAKS

△			
△			
△	2012/07/23 新版发行	King Zhou	
SIDE	DATE	DESCRIPTION	APPROVER

QUALITY SYMBOLS		Tolerance		NAME: SCSI 100P MALE 锌合金组装外壳侧方出线弹片式 (客户用图)		PART NO. BXX-100NN8NH-XX	
□:	☒:	x.	±0.80	REV:	A	UNIT:	mm
CRITICAL	MAJOR	.x	±0.50	SCALE:	N:1	DATE:	2012/07/23
▽:	▽:	.xx	±0.30	DRW BY: JACK CHEN		CHK BY: DEAN FAN	APP BY:
ZERO DEFECT	S.P.C			DRAWING NO. BXX-A12			
				lineconn 东莞市林诚塑胶电子有限公司		http://www.lineconn.com	
						TEL:0769-85181600 85181770	